



(12) **United States Design Patent** (10) **Patent No.:** **US D766,186 S**
Hagarty (45) **Date of Patent:** **** Sep. 13, 2016**

(54) **EXTENSION RING WITH CORNER ATTACHMENTS**

(71) Applicant: **RANDL Industries, Inc.**, Spokane Valley, WA (US)

(72) Inventor: **Robert J. Hagarty**, Spokane, WA (US)

(73) Assignee: **RANDL Industries, Inc.**, Spokane Valley, WA (US)

(**) Term: **15 Years**

(21) Appl. No.: **29/545,322**

(22) Filed: **Nov. 11, 2015**

Related U.S. Application Data

(62) Division of application No. 29/508,388, filed on Nov. 5, 2014, now Pat. No. Des. 745,466.

(51) **LOC (10) Cl.** **13-03**

(52) **U.S. Cl.**
 USPC **D13/152**

(58) **Field of Classification Search**
 USPC D13/152, 153, 155, 156, 137.1, 137.4,
 D13/139.3, 139.2, 133, 184; 439/134;
 340/693.9; 174/50
 CPC G02B 6/4466
 See application file for complete search history.

(56) **References Cited**

U.S. PATENT DOCUMENTS

4,399,922 A	8/1983	Horsley
4,603,789 A	8/1986	Medlin, Sr.
4,613,728 A	9/1986	Lathrop
4,790,505 A	12/1988	Rose
5,098,046 A	3/1992	Webb
5,189,259 A	2/1993	Carson
5,263,676 A	11/1993	Medlin
D342,938 S	1/1994	Ceatham
5,423,499 A	6/1995	Webb
5,525,754 A	6/1996	Akins

D379,622 S	6/1997	Lynn
5,663,525 A	9/1997	Newman
5,931,325 A	8/1999	Filipov
6,066,803 A *	5/2000	Hagarty H02G 3/086 174/50
6,103,972 A	8/2000	Hagarty

(Continued)

OTHER PUBLICATIONS

Hagarty, R.J., "Single Gang Extension Ring," U.S. Appl. No. 29/507,982, filed Oct. 31, 2014.

(Continued)

Primary Examiner — Holly Baynham

Assistant Examiner — Rhea Shields

(74) *Attorney, Agent, or Firm* — Christensen O'Connor Johnson Kindness PLLC

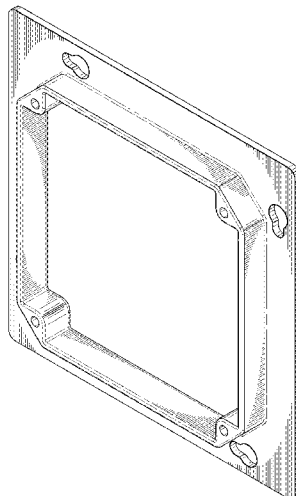
(57) **CLAIM**

The ornamental design for an extension ring with corner attachments, as shown and described.

DESCRIPTION

FIG. 1 is a front-right perspective view of an extension ring with corner attachments in accordance with the present design;
 FIG. 2 is a rear-left perspective view of the extension ring with corner attachments shown in FIG. 1;
 FIG. 3 is a front view of the extension ring with corner attachments shown in FIG. 1;
 FIG. 4 is a rear view of the extension ring with corner attachments shown in FIG. 1;
 FIG. 5 is a plan view of the extension ring with corner attachments shown in FIG. 1;
 FIG. 6 is a bottom view of the extension ring with corner attachments shown in FIG. 1;
 FIG. 7 is a left side view of the extension ring with corner attachments shown in FIG. 1; and,
 FIG. 8 is a right side view of the extension ring with corner attachments shown in FIG. 1.

1 Claim, 5 Drawing Sheets



(56)

References Cited

U.S. PATENT DOCUMENTS

6,164,475 A 12/2000 Jorgensen
 6,379,166 B1* 4/2002 Hagarty G02B 6/4466
 439/134
 6,384,334 B1 5/2002 Webb
 D462,939 S 9/2002 Dinh
 6,573,449 B2 6/2003 Vrame
 6,590,155 B2 7/2003 Vrame
 6,608,252 B2 8/2003 Hurley
 D493,695 S 8/2004 Wengrower
 6,858,802 B2 2/2005 Hagarty
 D540,654 S 4/2007 Aubert Capella
 D545,276 S 6/2007 Dinh
 7,271,336 B2 9/2007 Dinh
 D555,108 S 11/2007 Strong
 7,301,099 B1 11/2007 Korcz
 7,495,170 B2 2/2009 Dinh
 D588,067 S 3/2009 Seropian
 D597,960 S 8/2009 Dinh
 7,645,936 B2 1/2010 Magno, Jr.
 D634,739 S 3/2011 Molter
 8,076,577 B2 12/2011 Mango
 8,253,040 B2 8/2012 Hopkins
 D698,737 S* 2/2014 Hagarty D13/156

D707,635 S* 6/2014 Hagarty D13/156
 D719,528 S* 12/2014 Hagarty D13/156
 D719,529 S* 12/2014 Hagarty D13/156
 D722,029 S* 2/2015 Hagarty D13/152
 D722,569 S 2/2015 Osborne
 D722,977 S* 2/2015 Hagarty D13/152
 D722,978 S* 2/2015 Hagarty D13/152
 D723,473 S* 3/2015 Hagarty D13/152
 D730,158 S 5/2015 Miller
 D732,482 S* 6/2015 Hagarty D13/156
 D735,142 S* 7/2015 Hagarty D13/152
 D738,317 S* 9/2015 Hagarty D13/156
 D744,431 S* 12/2015 Hagarty D13/152
 D745,466 S* 12/2015 Hagarty D13/153
 2004/0051648 A1* 3/2004 Hagarty H02G 15/10
 340/693.9
 2008/0236859 A1 10/2008 de la Borbolla

OTHER PUBLICATIONS

Hagarty, R.J., "Double Gang Extension Ring," U.S. Appl. No. 29/507,986, filed Oct. 31, 2014.
 Hagarty, R.J., "Extension Ring With Narrow Flange," U.S. Appl. No. 29/508,386, filed Nov. 5, 2014.

* cited by examiner

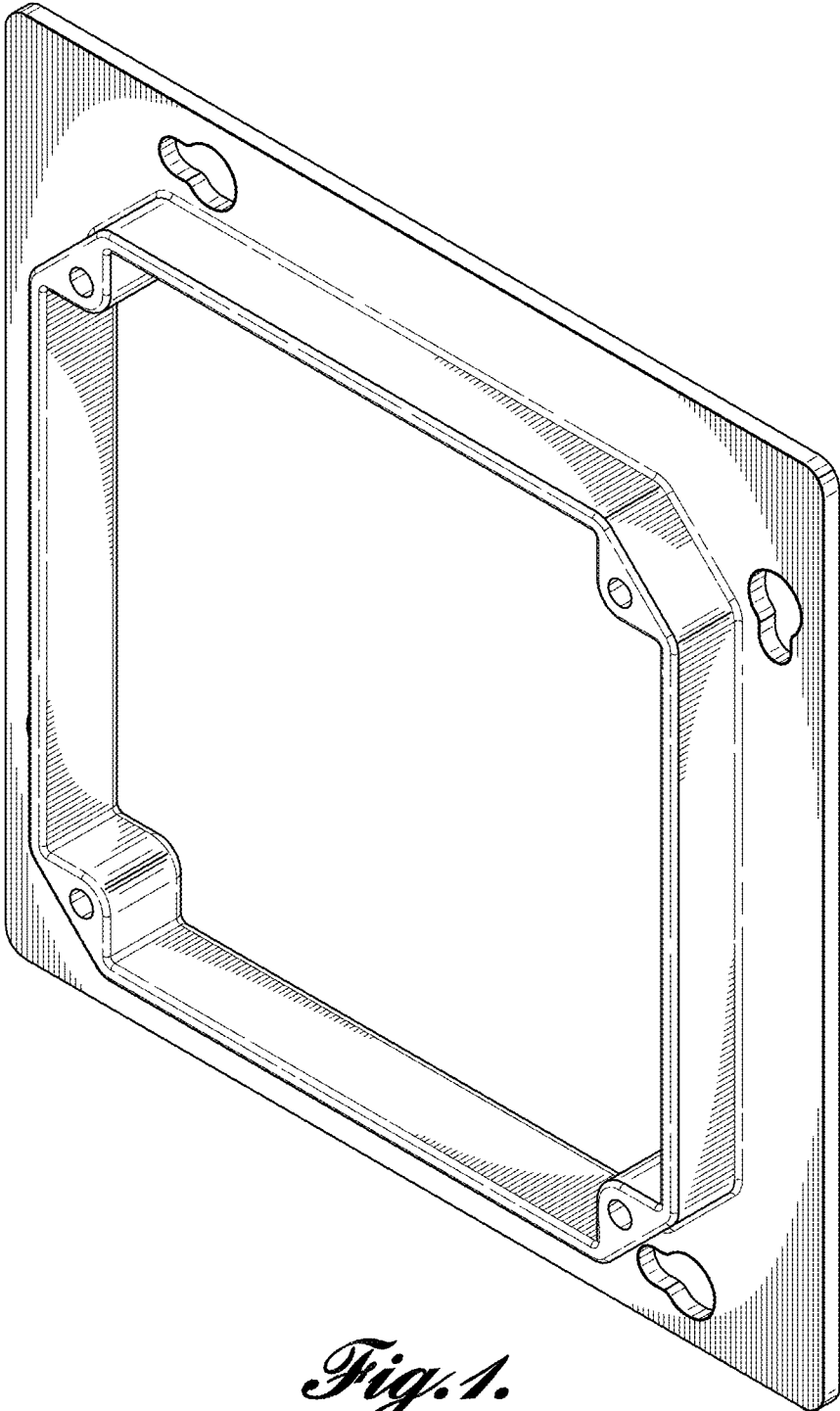


Fig. 1.

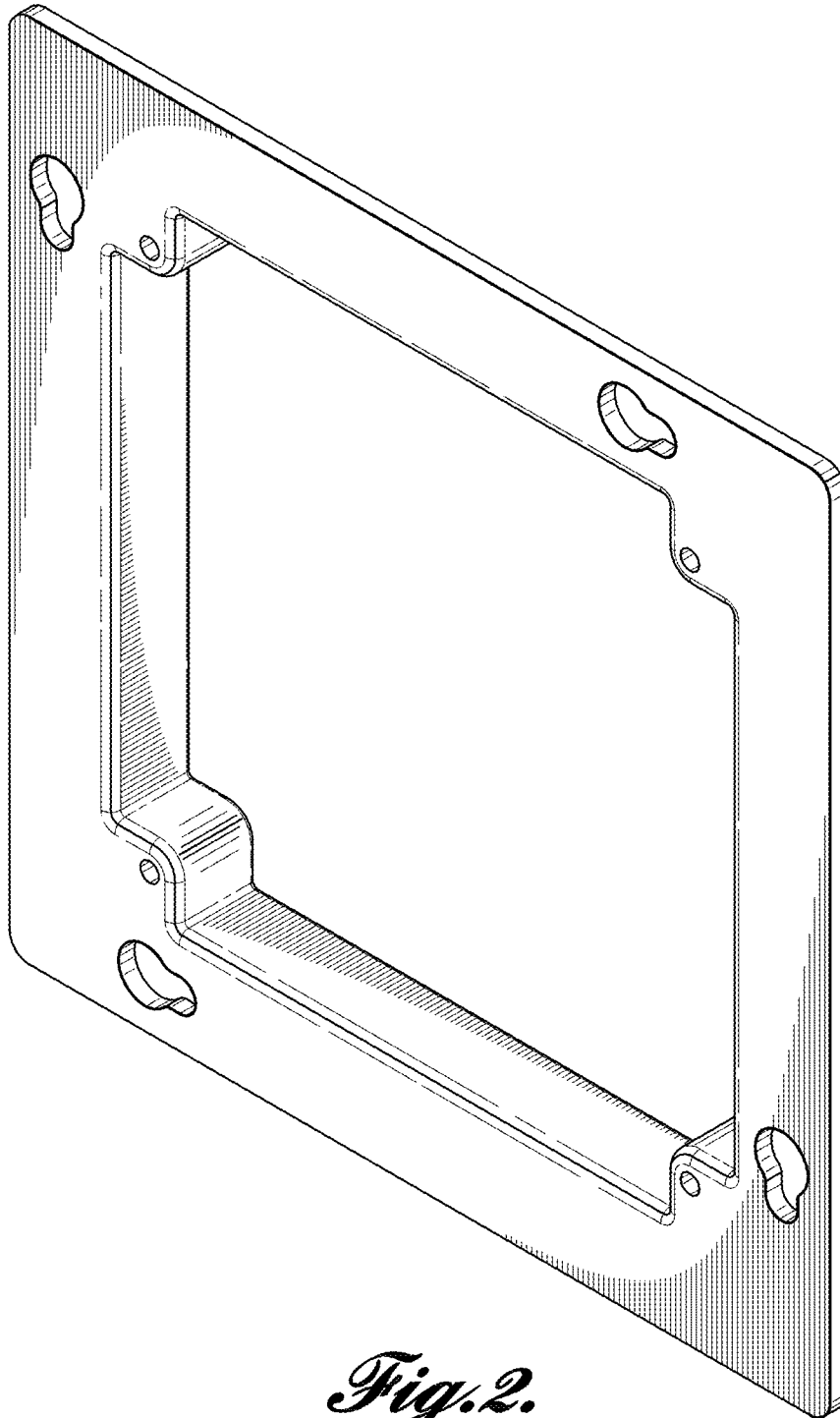


Fig. 2.

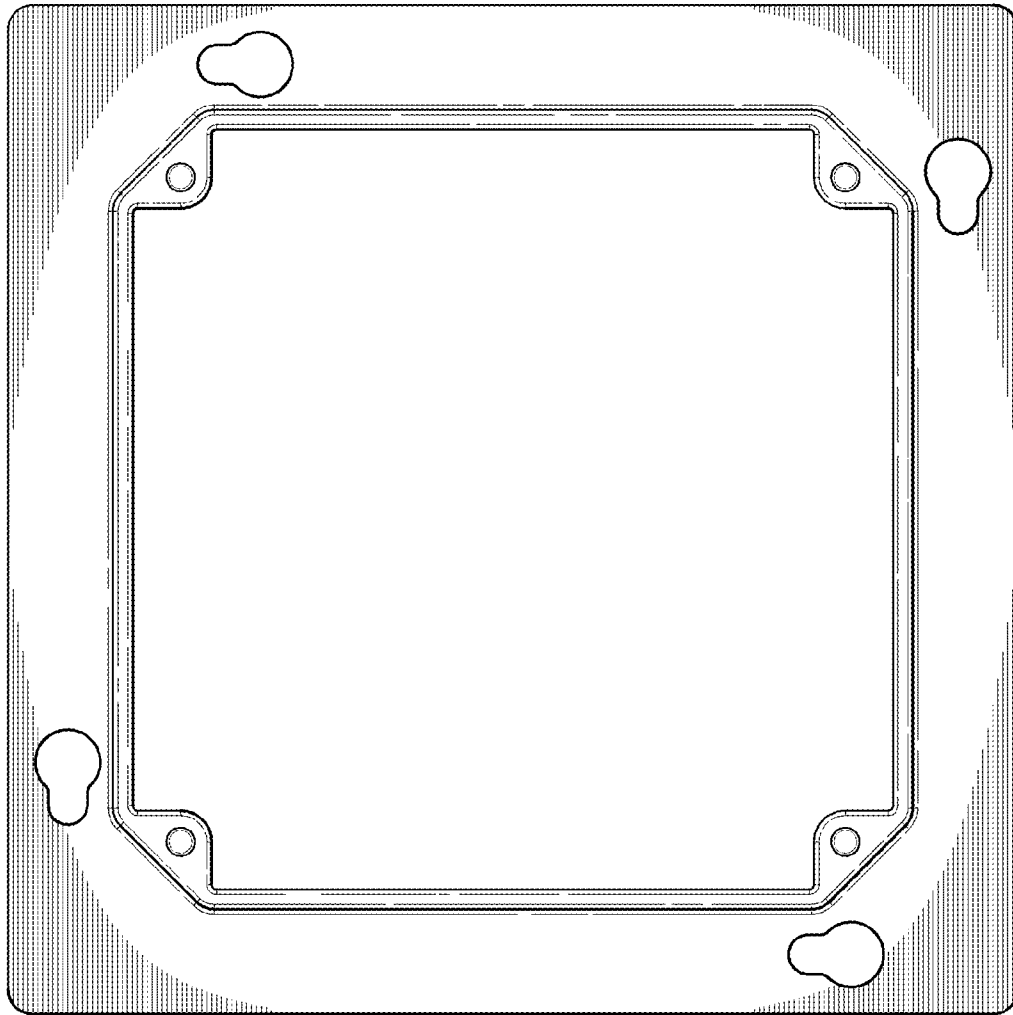


Fig. 3.

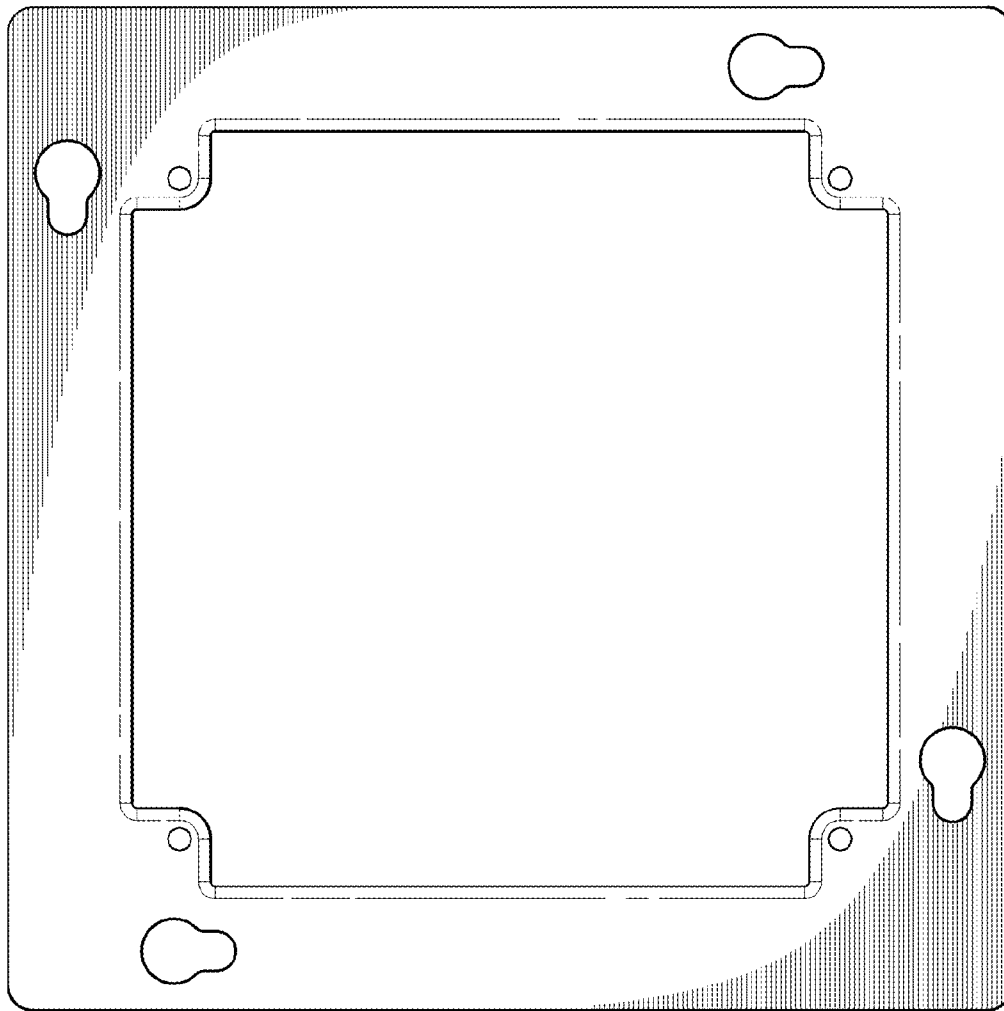


Fig. 4.

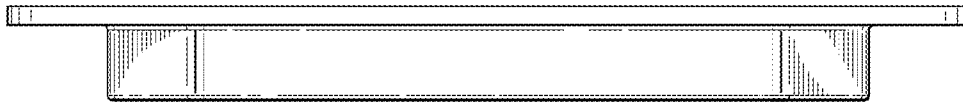


Fig. 5.



Fig. 7.

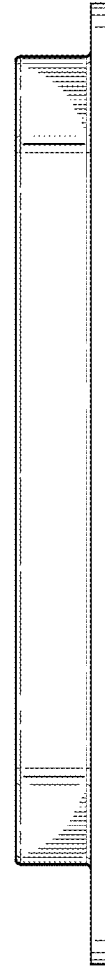


Fig. 8.

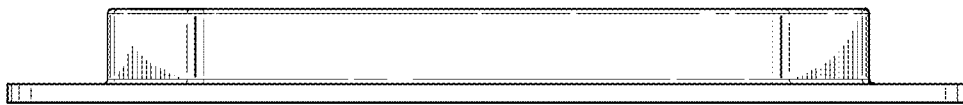


Fig. 6.