

(19) World Intellectual Property
Organization
International Bureau



(43) International Publication Date
19 February 2004 (19.02.2004)

PCT

(10) International Publication Number
WO 2004/015441 A3

(51) International Patent Classification⁷: **H01L 23/495**,
21/44, H05K 1/14, G08C 19/16

Scott, Wayne; 1130 Golden West Avenue #1, Arcadia, CA 91107 (US). SASAKI, Yukihiko; 170 Armstrong Drive, Claremont, CA 91711 (US).

(21) International Application Number:
PCT/US2003/024181

(74) Agent: PLATT, Jonathan, A.; Renner, Otto, Boisselle & Sklar, LLP, 1621 Euclid Avenue, Nineteenth Floor, Cleveland, OH 44115 (US).

(22) International Filing Date: 1 August 2003 (01.08.2003)

(25) Filing Language: English

(26) Publication Language: English

(30) Priority Data:
10/214,066 7 August 2002 (07.08.2002) US

(81) Designated States (national): AE, AG, AL, AM, AT, AU, AZ, BA, BB, BG, BR, BY, BZ, CA, CH, CN, CO, CR, CU, CZ, DE, DK, DM, DZ, EC, EE, ES, FI, GB, GD, GE, GH, GM, HR, HU, ID, IL, IN, IS, JP, KE, KG, KP, KR, KZ, LC, LK, LR, LS, LT, LU, LV, MA, MD, MG, MK, MN, MW, MX, MZ, NI, NO, NZ, OM, PG, PH, PL, PT, RO, RU, SC, SD, SE, SG, SK, SL, SY, TJ, TM, TN, TR, TT, TZ, UA, UG, UZ, VC, VN, YU, ZA, ZM, ZW.

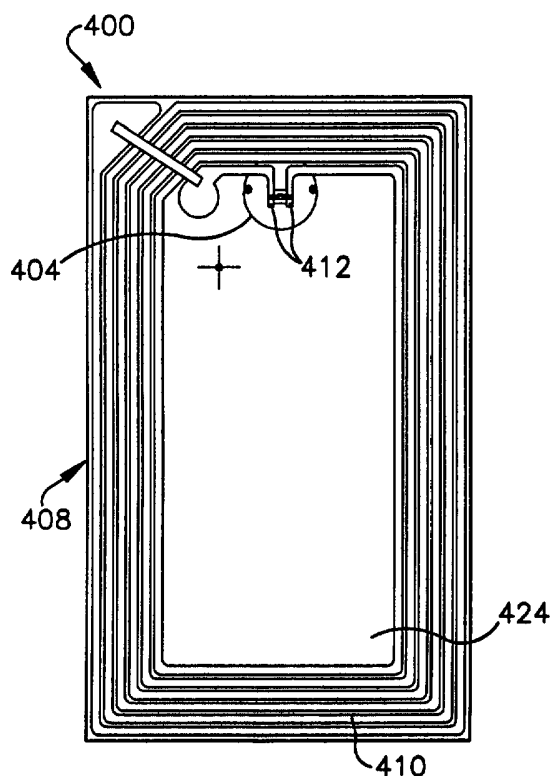
(71) Applicant: AVERY DENNISON CORPORATION
[US/US]; 150 North Orange Grove Boulevard, Pasadena, CA 91103 (US).

(84) Designated States (regional): ARIPO patent (GH, GM, KE, LS, MW, MZ, SD, SL, SZ, TZ, UG, ZM, ZW), Eurasian patent (AM, AZ, BY, KG, KZ, MD, RU, TJ, TM), European patent (AT, BE, BG, CH, CY, CZ, DE, DK, EE, ES, FI, FR, GB, GR, HU, IE, IT, LU, MC, NL, PT, RO, SE, SI, SK, TR), OAPI patent (BF, BJ, CF, CG, CI, CM, GA, GN, GQ, GW, ML, MR, NE, SN, TD, TG).

(72) Inventors: LIU, Peikang; 4004 Las Casas Avenue, Claremont, CA 91711 (US). EDWARDS, David, N.; 1311 Oakwood Drive, Arcadia, CA 91007 (US). FERGUSON,

[Continued on next page]

(54) Title: RADIO FREQUENCY IDENTIFICATION DEVICE AND METHOD



(57) Abstract: A device (400), such as a radio frequency identification (RFID) inlay structure for an RFID tag or label, includes a microstructure element (402), with leads (416) coupling the microstructure element to other electrical or electronic components of the device. The leads may be electroless-plated leads, and may contact connectors of the microstructure element without the need for an intervening planarization layer.

WO 2004/015441 A3



Published:

- *with international search report*
- *before the expiration of the time limit for amending the claims and to be republished in the event of receipt of amendments*

For two-letter codes and other abbreviations, refer to the "Guidance Notes on Codes and Abbreviations" appearing at the beginning of each regular issue of the PCT Gazette.

(88) Date of publication of the international search report:

15 April 2004

INTERNATIONAL SEARCH REPORT

International application No.

PCT/US03/24181

A. CLASSIFICATION OF SUBJECT MATTER

IPC(7) : H01L 23/495, 21/44; H05K 1/14; G08C 19/16
 US CL : 257/666, 673, 692, 735, 773; 438/106, 107, 110; 428/901; 361/748, 760, 761; 340/572.7, 572.8
 According to International Patent Classification (IPC) or to both national classification and IPC

B. FIELDS SEARCHED

Minimum documentation searched (classification system followed by classification symbols)
 U.S. : 257/666, 673, 692, 735, 773; 438/106, 107, 110; 428/901; 361/748, 760, 761; 340/572.7, 572.8

Documentation searched other than minimum documentation to the extent that such documents are included in the fields searched
 NONE

Electronic data base consulted during the international search (name of data base and, where practicable, search terms used)
 Please See Continuation Sheet

C. DOCUMENTS CONSIDERED TO BE RELEVANT

Category *	Citation of document, with indication, where appropriate, of the relevant passages	Relevant to claim No.
X,E --- Y,E	US 6,606,247 B2 (Credelle et al.) 12 August 2003 (12.08.2003), Col.3, line 14 - Col.4, line 56.	1,2,3, 9,11,12,21,22,26,28- 32,37,42- 44,48,50,52,54-60, 62- 64 & 66-79 ----- 3,10,24,25,33- 36,38,49,51 & 53
A	US 6,606,247 B2 (Credelle et al.) 12 August 2003 (12.08.2003), see entire document.	4-8,13-20,23,27,39- 41,45-47,61 & 65
A,P	US 6,518,885 B1 (Brady et al.) 11 February 2003 (11.02.2003), see entire document.	1-79
A	US 6,246,327 B1 (Eberhardt) 12 June 2001 (12.06.2001), see entire document.	1-79

Further documents are listed in the continuation of Box C. See patent family annex.

* Special categories of cited documents:	
"A" document defining the general state of the art which is not considered to be of particular relevance	"T" later document published after the international filing date or priority date and not in conflict with the application but cited to understand the principle or theory underlying the invention
"E" earlier application or patent published on or after the international filing date	"X" document of particular relevance; the claimed invention cannot be considered novel or cannot be considered to involve an inventive step when the document is taken alone
"L" document which may throw doubts on priority claim(s) or which is cited to establish the publication date of another citation or other special reason (as specified)	"Y" document of particular relevance; the claimed invention cannot be considered to involve an inventive step when the document is combined with one or more other such documents, such combination being obvious to a person skilled in the art
"O" document referring to an oral disclosure, use, exhibition or other means	"&" document member of the same patent family
"P" document published prior to the international filing date but later than the priority date claimed	

Date of the actual completion of the international search: 22 September 2003 (22.09.2003)
 Date of mailing of the international search report: 03 MAR 2004

Name and mailing address of the ISA/US: Mail Stop PCT, Attn: ISA/US, Commissioner for Patents, P.O. Box 1450, Alexandria, Virginia 22313-1450, Facsimile No. (703)305-3230
 Authorized officer: Tom Thomas (Signature: Sham S. Hyspe), Telephone No. 703-308-0956

INTERNATIONAL SEARCH REPORT

PCT/US03/24181

Continuation of B. FIELDS SEARCHED Item 3:
USPTO, USPGPUB, JPO, EPO, DEW, IBMTDB
search term: radio frequency identification