



US00D668366S

(12) **United States Design Patent**
Sakamoto et al.

(10) **Patent No.:** **US D668,366 S**

(45) **Date of Patent:** **** Oct. 2, 2012**

(54) **LED LIGHT BULB**

(75) Inventors: **Mitsuhide Sakamoto**, Aichi (JP);
Toshiaki Yagi, Aichi (JP); **Junichi Ando**, Aichi (JP)

(73) Assignee: **S.K.G. Co., Ltd.**, Aichi (JP)

(**) Term: **14 Years**

(21) Appl. No.: **29/418,533**

(22) Filed: **Apr. 18, 2012**

Related U.S. Application Data

(62) Division of application No. 29/347,972, filed on Aug. 20, 2010, now Pat. No. Des. 662,231.

(30) **Foreign Application Priority Data**

Feb. 23, 2010 (JP) 2010-004136

(51) **LOC (9) Cl.** **26-04**

(52) **U.S. Cl.** **D26/2**

(58) **Field of Classification Search** D26/1-5,
D26/113, 120, 138; 313/313, 315, 316, 317,
313/318, 493; 315/52, 53, 56, 57, 58; 362/290,
362/294, 309; D13/110, 180

See application file for complete search history.

(56) **References Cited**

U.S. PATENT DOCUMENTS

D289,798 S	5/1987	Joosten
4,777,405 A	10/1988	Hermes et al.
4,792,726 A	12/1988	Gandhi
D304,030 S	10/1989	Vakil
D346,456 S	4/1994	Matsumura et al.
D347,076 S	5/1994	DeKleine et al.
D347,077 S	5/1994	DeKleine et al.
5,309,062 A	5/1994	Perkins et al.

5,546,291 A	8/1996	Simes
5,575,459 A	11/1996	Anderson
D383,224 S	9/1997	Sangen et al.
D417,296 S	11/1999	Kato et al.
7,014,337 B2	3/2006	Chen
D574,091 S	7/2008	Sun
7,434,964 B1	10/2008	Zheng et al.
7,492,103 B2	2/2009	Hwang
7,513,653 B1	4/2009	Liu et al.
7,585,090 B2	9/2009	Wu
7,637,636 B2	12/2009	Zheng et al.
D629,537 S	12/2010	Hsu et al.
D630,348 S	1/2011	Duan et al.
D631,567 S	1/2011	Lodhie
D641,895 S	7/2011	Huang
8,072,123 B1	12/2011	Han
8,092,045 B2	1/2012	Xiao et al.
D662,231 S *	6/2012	Sakamoto et al. D26/2
2004/0114367 A1	6/2004	Li
2007/0159828 A1	7/2007	Wang
2008/0013318 A1	1/2008	Sun et al.
2008/0316755 A1	12/2008	Zheng et al.
2011/0156584 A1	6/2011	Kim

* cited by examiner

Primary Examiner — Marcus Jackson

(74) *Attorney, Agent, or Firm* — Rabin & Berdo, P.C.

(57) **CLAIM**

The ornamental design for an LED light bulb, as shown and described.

DESCRIPTION

FIG. 1 is a perspective view of the LED light bulb;
FIG. 2 is a front view thereof;
FIG. 3 is a rear view thereof;
FIG. 4 is a plan view thereof;
FIG. 5 is a bottom plan view thereof;
FIG. 6 is a right side view thereof; and,
FIG. 7 is a left side view thereof.

1 Claim, 3 Drawing Sheets

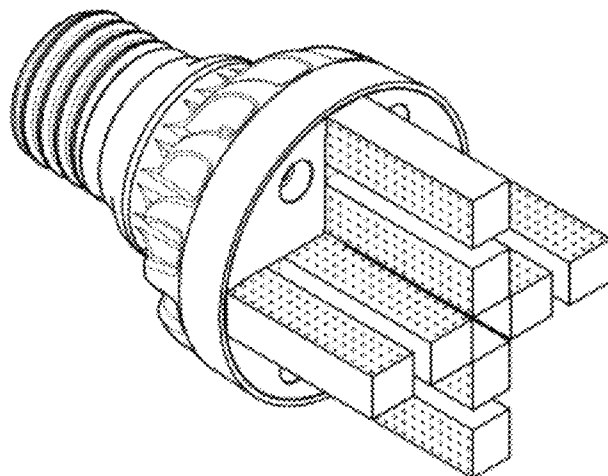


FIGURE 1

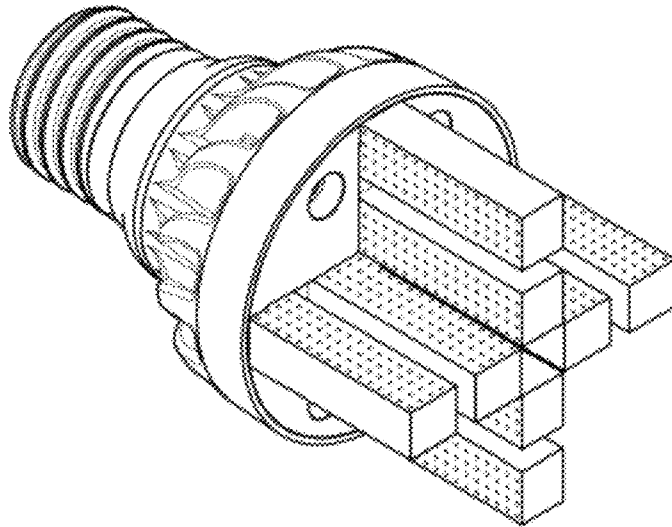


FIGURE 2

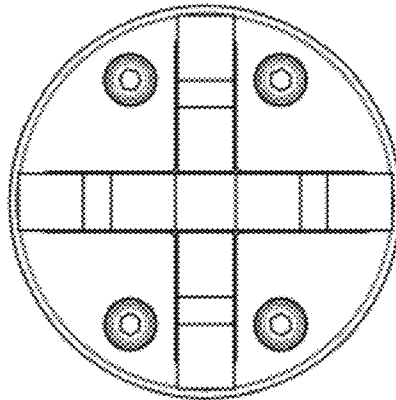


FIGURE 3

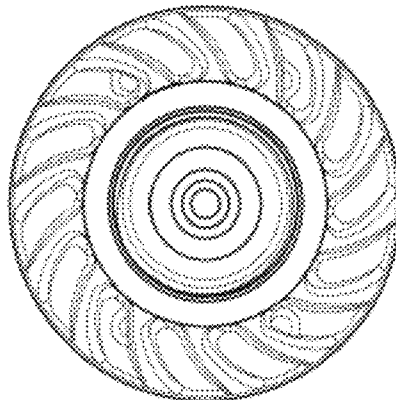


FIGURE 4

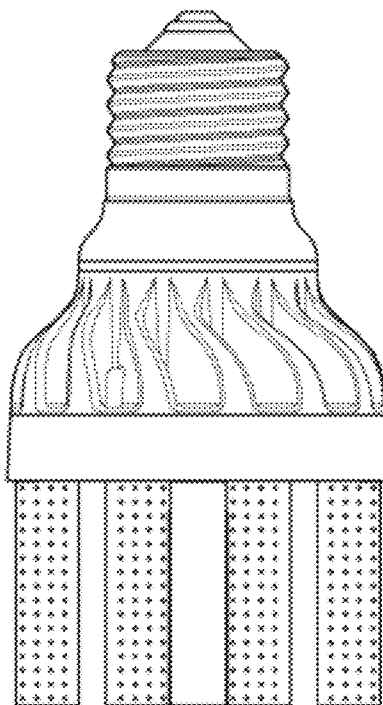


FIGURE 5

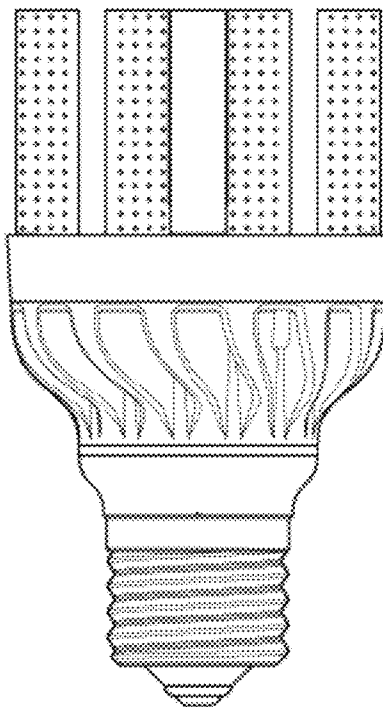


FIGURE 6

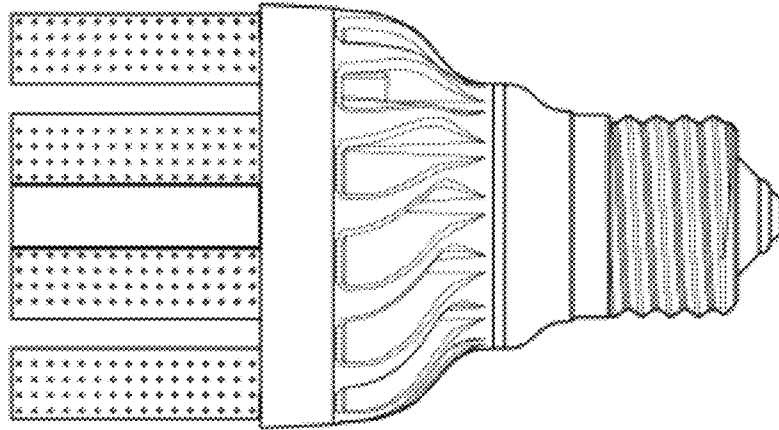


FIGURE 7

