



(51) International Patent Classification:  
A61B 1/317 (2006.01)

(21) International Application Number:

PCT/US2011/046030

(22) International Filing Date:

29 July 2011 (29.07.2011)

(25) Filing Language:

English

(26) Publication Language:

English

(30) Priority Data:

12/846,747 29 July 2010 (29.07.2010) US  
13/106,078 12 May 2011 (12.05.2011) US

(71) Applicant (for all designated States except US): **CANNU-FLOW, INC.** [US/US]; 1190 Coleman Avenue, #250, San Jose, CA 95110 (US).

(72) Inventor; and

(75) Inventor/Applicant (for US only): **KUCKLICK, Theodore, R.** [US/US]; 1190 Coleman Avenue, #250, San Jose, CA 95110 (US).

(74) Agent: **CROCKETT, Susan, L.**; Crockett & Crockett, PC, 26020 Acero, Suite 200, Mission Viejo, CA 92691 (US).

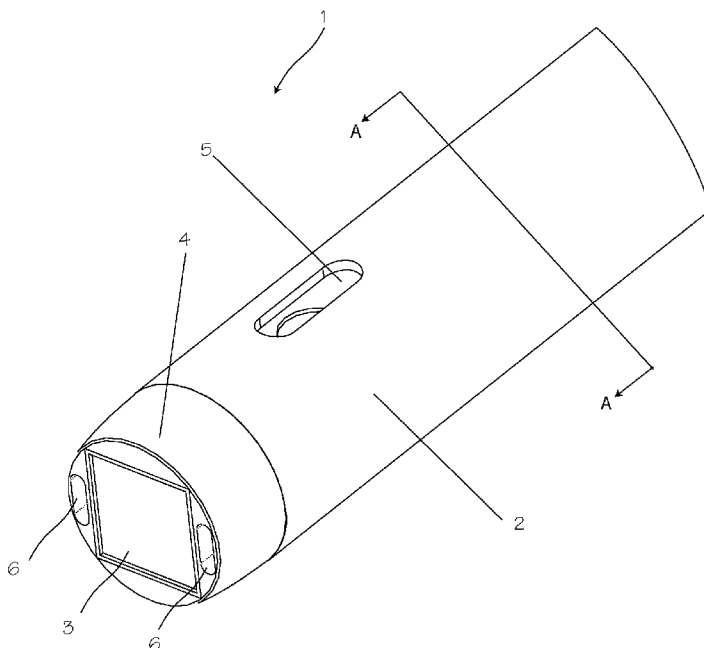
(81) Designated States (unless otherwise indicated, for every kind of national protection available): AE, AG, AL, AM, AO, AT, AU, AZ, BA, BB, BG, BH, BR, BW, BY, BZ, CA, CH, CL, CN, CO, CR, CU, CZ, DE, DK, DM, DO, DZ, EC, EE, EG, ES, FI, GB, GD, GE, GH, GM, GT, HN, HR, HU, ID, IL, IN, IS, JP, KE, KG, KM, KN, KP, KR, KZ, LA, LC, LK, LR, LS, LT, LU, LY, MA, MD, ME, MG, MK, MN, MW, MX, MY, MZ, NA, NG, NI, NO, NZ, OM, PE, PG, PH, PL, PT, RO, RS, RU, SC, SD, SE, SG, SK, SL, SM, ST, SV, SY, TH, TJ, TM, TN, TR, TT, TZ, UA, UG, US, UZ, VC, VN, ZA, ZM, ZW.

(84) Designated States (unless otherwise indicated, for every kind of regional protection available): ARIPO (BW, GH, GM, KE, LR, LS, MW, MZ, NA, SD, SL, SZ, TZ, UG, ZM, ZW), Eurasian (AM, AZ, BY, KG, KZ, MD, RU, TJ, TM), European (AL, AT, BE, BG, CH, CY, CZ, DE, DK, EE, ES, FI, FR, GB, GR, HR, HU, IE, IS, IT, LT, LU, LV, MC, MK, MT, NL, NO, PL, PT, RO, RS, SE, SI, SK, SM, TR), OAPI (BF, BJ, CF, CG, CI, CM, GA, GN, GQ, GW, ML, MR, NE, SN, TD, TG).

[Continued on next page]

(54) Title: ARTHROSCOPIC SYSTEM

Fig. 1



(57) Abstract: An arthroscope having an elongated core with a square radial cross section.



**Published:**

**(88) Date of publication of the international search report:**

7 June 2012

- *with international search report (Art. 21(3))*
- *before the expiration of the time limit for amending the claims and to be republished in the event of receipt of amendments (Rule 48.2(h))*

**A. CLASSIFICATION OF SUBJECT MATTER***A61B 1/317(2006.01)i*

According to International Patent Classification (IPC) or to both national classification and IPC

**B. FIELDS SEARCHED**

Minimum documentation searched (classification system followed by classification symbols)

A61B 1/317; A61B 1/00; A61B 18/18; A61B 1/04

Documentation searched other than minimum documentation to the extent that such documents are included in the fields searched

Korean utility models and applications for utility models

Japanese utility models and applications for utility models

Electronic data base consulted during the international search (name of data base and, where practicable, search terms used)

eKOMPASS(KIPO internal) &amp; Keywords: sheath, arthroscope, hinge, square

**C. DOCUMENTS CONSIDERED TO BE RELEVANT**

Category*	Citation of document, with indication, where appropriate, of the relevant passages	Relevant to claim No.
A	US 2009-0082628 A1 (KUCKLICK THEODORE R. et al.) 26 March 2009 See paragraphs [0029],[0031],[0033]; claims 1,7; and figures 2,3.	1-6
A	US 6379347 B1 (MAKI; SHIN et al.) 30 April 2002 See column 3, line 37-line 38, column 4, line 3-line 49; claim 2; and figures 2,4A.	1-6
A	US 7553278 B2 (KUCKLICK THEODORE R.) 30 June 2009 See abstract; column 4, line 60 - line 67; claims 1,4, and figures 2,9,10.	1-6
A	US 2009-0240109 A1 (OSTROVSKY ISAAC et al.) 24 September 2009 See paragraphs [0037],[0045]; claim 8; and figures 2,5A.	1-6

 Further documents are listed in the continuation of Box C. See patent family annex.

\* Special categories of cited documents:

"A" document defining the general state of the art which is not considered to be of particular relevance

"E" earlier application or patent but published on or after the international filing date

"L" document which may throw doubts on priority claim(s) or which is cited to establish the publication date of citation or other special reason (as specified)

"O" document referring to an oral disclosure, use, exhibition or other means

"P" document published prior to the international filing date but later than the priority date claimed

"T" later document published after the international filing date or priority date and not in conflict with the application but cited to understand the principle or theory underlying the invention

"X" document of particular relevance; the claimed invention cannot be considered novel or cannot be considered to involve an inventive step when the document is taken alone

"Y" document of particular relevance; the claimed invention cannot be considered to involve an inventive step when the document is combined with one or more other such documents, such combination being obvious to a person skilled in the art

"&amp;" document member of the same patent family

Date of the actual completion of the international search

22 MARCH 2012 (22.03.2012)

Date of mailing of the international search report

**23 MARCH 2012 (23.03.2012)**

Name and mailing address of the ISA/KR

Korean Intellectual Property Office  
Government Complex-Daejeon, 189 Cheongsa-ro,  
Seo-gu, Daejeon 302-701, Republic of Korea

Facsimile No. 82-42-472-7140

Authorized officer

LEE, Kang Young

Telephone No. 82-42-481-5583



**INTERNATIONAL SEARCH REPORT**

Information on patent family members

International application No.

**PCT/US2011/046030**

Patent document cited in search report	Publication date	Patent family member(s)	Publication date
US 2009-0082628 A1	26.03.2009	US 2005-171470 A1	04.08.2005
		US 2005-192532 A1	01.09.2005
		US 2005-203342 A1	15.09.2005
		US 2009-043165 A1	12.02.2009
		US 2009-062607 A1	05.03.2009
		US 7413542 B2	19.08.2008
		US 7435214 B2	14.10.2008
		US 7445596 B2	04.11.2008
		US 7998061 B2	16.08.2011
US 6379347 B1	30.04.2002	DE 69933504 D1	23.11.2006
		DE 69933504 T2	14.06.2007
		EP 0960601 A2	01.12.1999
		EP 0960601 A3	26.04.2000
		EP 0960601 B1	11.10.2006
		JP 03-754561 B2	15.03.2006
		JP 03-754562 B2	15.03.2006
		JP 11-333005 A	07.12.1999
		JP 2000-000319 A	07.01.2000
		US 2002-0068963 A1	06.06.2002
		US 6562029 B2	13.05.2003
US 7553278 B2	30.06.2009	EP 1890587 A2	27.02.2008
		JP 2008-541947 A	27.11.2008
		JP 2008-541947 T	27.11.2008
		US 2006-0276692 A1	07.12.2006
		US 2009-0326328 A1	31.12.2009
		WO 2006-130730 A2	07.12.2006
		WO 2006-130730 A3	19.04.2007
WO 2006-130730 A3	07.12.2006		
US 2009-0240109 A1	24.09.2009	EP 2268187 A1	05.01.2011
		WO 2009-120622 A1	01.10.2009