

(19) World Intellectual Property Organization  
International Bureau



(43) International Publication Date  
6 October 2005 (06.10.2005)

PCT

(10) International Publication Number  
**WO 2005/091806 A3**

- (51) International Patent Classification:  
A47F 5/08 (2006.01) F16B 7/18 (2006.01)
- (21) International Application Number:  
PCT/US2005/004618
- (22) International Filing Date:  
15 February 2005 (15.02.2005)
- (25) Filing Language: English
- (26) Publication Language: English
- (30) Priority Data:  
60/551,686 9 March 2004 (09.03.2004) US  
11/000,617 18 January 2005 (18.01.2005) US
- (71) Applicant: LUEMME, INC. [US/US]; 12186 S.W. 128th Street, Miami, FL 33186 (US).
- (72) Inventors; and
- (75) Inventors/Applicants (for US only): CAMPELLO, Guido [US/US]; 12186 S.W. 128th Street, Miami, FL

33186 (US). CAMPELLO, Ugo [US/US]; 12186 S.W. 128th Street, Miami, FL 33186 (US).

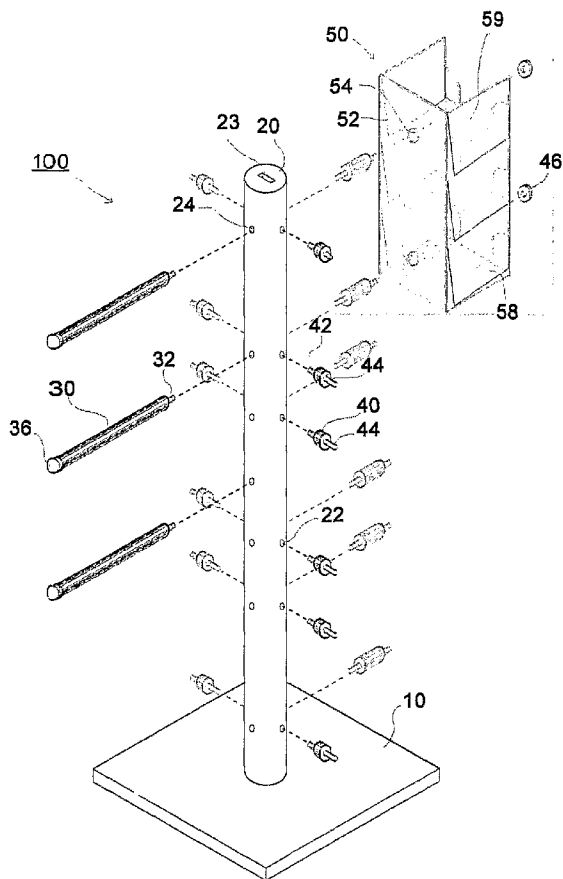
(74) Agents: GREENBERG, Laurence, A. et al.; Lerner and Greenberg, P.A., P.O. Box 2480, Hollywood, FL 33022-2480 (US).

(81) Designated States (unless otherwise indicated, for every kind of national protection available): AE, AG, AL, AM, AT, AU, AZ, BA, BB, BG, BR, BW, BY, BZ, CA, CH, CN, CO, CR, CU, CZ, DE, DK, DM, DZ, EC, EE, EG, ES, FI, GB, GD, GE, GH, GM, HR, HU, ID, IL, IN, IS, JP, KE, KG, KP, KR, KZ, LC, LK, LR, LS, LT, LU, LV, MA, MD, MG, MK, MN, MW, MX, MZ, NA, NI, NO, NZ, OM, PG, PH, PL, PT, RO, RU, SC, SD, SE, SG, SK, SL, SM, SY, TJ, TM, TN, TR, TT, TZ, UA, UG, US, UZ, VC, VN, YU, ZA, ZM, ZW.

(84) Designated States (unless otherwise indicated, for every kind of regional protection available): ARIPO (BW, GH, GM, KE, LS, MW, MZ, NA, SD, SL, SZ, TZ, UG, ZM, ZW), Eurasian (AM, AZ, BY, KG, KZ, MD, RU, TJ, TM), European (AT, BE, BG, CH, CY, CZ, DE, DK, EE, ES, FI,

[Continued on next page]

(54) Title: MODULAR DISPLAY RACK



(57) Abstract: A modular display system (100) has a support base (10) and a vertical post (20) mounted on the support base. The post is formed with threaded bores (22, 24). A plurality of bars, including short spacer bars (40) for hanging display bins and hang bars (30) for hanging clothes hangers, for example, are screwed into the post and they project radially from the post. Each of the bars has two threaded stems (32, 34), one to be screwed into the post, and the other one to be covered by a threaded puck (46). The display bins have corresponding bores aligned with the bores in the post and adapted to receive the threaded stems of the short spacer bars to reach through and for the puck to bolt the display bins to the spacer bars.

WO 2005/091806 A3



FR, GB, GR, HU, IE, IS, IT, LT, LU, MC, NL, PL, PT, RO,  
SE, SI, SK, TR), OAPI (BF, BJ, CF, CG, CI, CM, GA, GN,  
GQ, GW, ML, MR, NE, SN, TD, TG).

(88) Date of publication of the international search report:  
31 May 2007

**Published:**

— with international search report

*For two-letter codes and other abbreviations, refer to the "Guidance Notes on Codes and Abbreviations" appearing at the beginning of each regular issue of the PCT Gazette.*

**INTERNATIONAL SEARCH REPORT**

International application No.

PCT/US05/04618

**A. CLASSIFICATION OF SUBJECT MATTER**  
 IPC: **A47F 5/08( 2006.01);F16B 7/18( 2006.01)**  
  
 USPC: 211/52,58,85.3,107,163,196,205  
 According to International Patent Classification (IPC) or to both national classification and IPC

**B. FIELDS SEARCHED**  
 Minimum documentation searched (classification system followed by classification symbols)  
 U.S. : Please See Continuation Sheet

Documentation searched other than minimum documentation to the extent that such documents are included in the fields searched

Electronic data base consulted during the international search (name of data base and, where practicable, search terms used)  
 EAST

**C. DOCUMENTS CONSIDERED TO BE RELEVANT**

Category *	Citation of document, with indication, where appropriate, of the relevant passages	Relevant to claim No.
X --- Y	US 5,255,801 (BERGER) 26 October 1993 (26.10.1993), Figures 1, 1A, 2, and 11; column 4, lines 57-58.	1, 3, 4, 9 ----- 5
Y	US 2,604,214 (FUSSELL) 22 July 1952 (22.07.1952), see column 3, lines 33-38.	5
Y	US Des. 334,855 (HARRINGTON et al) 20 April 1993 (20.04.1993), see entire reference.	1, 2, 6-12
Y	US 6,322,177 B1 (VASUDEVA) 27 November 2001 (27.11.2001), see Figures 1 and 7; see column 3, lines 56-58.	1, 2, 6-12
Y	US 346,293 (LAVAGGI) 27 JULY 1886 (27.07.1886), see Figures 1-6.	2, 6, 7, 10-12

Further documents are listed in the continuation of Box C.  See patent family annex.

* Special categories of cited documents:		
"A" document defining the general state of the art which is not considered to be of particular relevance	"T"	later document published after the international filing date or priority date and not in conflict with the application but cited to understand the principle or theory underlying the invention
"E" earlier application or patent published on or after the international filing date	"X"	document of particular relevance; the claimed invention cannot be considered novel or cannot be considered to involve an inventive step when the document is taken alone
"L" document which may throw doubts on priority claim(s) or which is cited to establish the publication date of another citation or other special reason (as specified)	"Y"	document of particular relevance; the claimed invention cannot be considered to involve an inventive step when the document is combined with one or more other such documents, such combination being obvious to a person skilled in the art
"O" document referring to an oral disclosure, use, exhibition or other means		
"P" document published prior to the international filing date but later than the priority date claimed	"&"	document member of the same patent family

Date of the actual completion of the international search 15 June 2006 (15.06.2006)	Date of mailing of the international search report <b>09 MAR 2007</b>
Name and mailing address of the ISA/US Mail Stop PCT, Attn: ISA/US Commissioner for Patents P.O. Box 1450 Alexandria, Virginia 22313-1450 Facsimile No. (571) 273-3201	Authorized officer <i>D. Willermuth for</i> Richard Chilcot Telephone No. (571) 272-3600

**INTERNATIONAL SEARCH REPORT**

International application No.

PCT/US05/04618

Continuation of B. FIELDS SEARCHED Item 1:  
211/52,58,85.3,107,163,196,205  
403/118,200,296,299