



US00D888795S

(12) **United States Design Patent**
Yuan

(10) **Patent No.:** **US D888,795 S**

(45) **Date of Patent:** **** Jun. 30, 2020**

(54) **SURVEILLANCE CAMERA**

(74) *Attorney, Agent, or Firm* — HYIP

(71) Applicant: **Hangzhou EyeCloud Technologies Co., Ltd.**, Zhejiang (CN)

(57) **CLAIM**

The ornamental design for a surveillance camera, as shown and described.

(72) Inventor: **Po Yuan**, San Jose, CA (US)

DESCRIPTION

(**) Term: **15 Years**

(21) Appl. No.: **29/654,985**

(22) Filed: **Jun. 29, 2018**

(51) **LOC (12) Cl.** **16-01**

(52) **U.S. Cl.**
USPC **D16/203; D16/202**

(58) **Field of Classification Search**
USPC D16/200–220, 131, 237, 242, 239, 250,
D16/235, 130, 134, 136, 238;
(Continued)

(56) **References Cited**

U.S. PATENT DOCUMENTS

6,553,459 B1 * 4/2003 Silverbrook B41J 2/01
400/88
D575,647 S * 8/2008 Lobermeier D10/102
(Continued)

FOREIGN PATENT DOCUMENTS

CN 303628620 * 3/2016
CN 303988479 * 12/2016
(Continued)

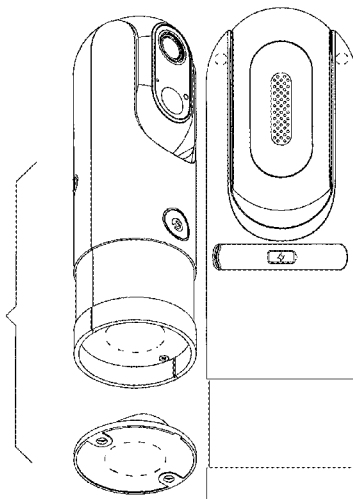
OTHER PUBLICATIONS

Eyecloud Cam, published Sep. 18, 2018 [online], [retrieved Sep. 23, 2019], Available from Internet, URL: <https://proclockers.com/news/eyecloud-cam-keeps-%E2%80%9Cai%E2%80%9D-your-safety-affordable-kickstarter-campaign>.*

Primary Examiner — T Chase Nelson
Assistant Examiner — Mary Claire Ramirez

FIG. 1 is an exploded front, left perspective view of a surveillance camera showing my new design;
FIG. 2 is a left side view of the surveillance camera shown assembled;
FIG. 3 is another exploded front, left perspective view of the surveillance camera, showing the base in an alternative position;
FIG. 4 is a rear view of the surveillance camera shown assembled in an alternate configuration;
FIG. 5 is a front view of the surveillance camera, showing the camera separate from the base to show aspects of the design that are not visible when combined;
FIG. 6 is a rear elevational view thereof;
FIG. 7 is a left side view thereof;
FIG. 8 is a right side view thereof;
FIG. 9 is an enlarged top plan view thereof;
FIG. 10 is an enlarged bottom plan view thereof;
FIG. 11 is a front, left perspective view showing the surveillance camera in FIG. 5;
FIG. 12 is a rear, left perspective view thereof;
FIG. 13 is a bottom, left perspective view thereof;
FIG. 14 is a bottom view of the surveillance camera, showing the base separate from the camera to show aspects of the design that are not visible when combined;
FIG. 15 is a top plan view thereof;
FIG. 16 is a left side view thereof;
FIG. 17 is a right side view thereof;
FIG. 18 is a front view thereof;
FIG. 19 is a front view thereof;
FIG. 20 is a bottom, right perspective view thereof; and
FIG. 21 is a top, left perspective view thereof.
The broken lines shown in the drawings depict portions of the surveillance camera that form no part of the claimed design.

1 Claim, 16 Drawing Sheets



US D888,795 S

Page 2

(58) **Field of Classification Search**

USPC .. D14/138 C, 240, 248, 203.1, 203.3, 203.7,
D14/218, 207; D10/104.1, 50, 65, 74,
D10/70, 118.2
CPC . G02B 7/02; G02B 7/021; G02B 7/04; G02B
7/14; G02B 7/003; G03B 17/00; G03B
17/02; G03B 17/56; G03B 17/04; G03B
17/14; G03B 17/08; G03B 15/03; G03B
15/06; H04N 5/2251; H04N 5/2252;
H04N 5/2253; H04N 5/2254; H04N 7/00;
H04N 2101/00; F16M 13/00
See application file for complete search history.

(56) **References Cited**

U.S. PATENT DOCUMENTS

8,525,880 B2 * 9/2013 DiPoala G08B 17/00
348/143
D715,661 S * 10/2014 McKaughan D10/53
D715,662 S * 10/2014 Aicher D10/53
D746,350 S * 12/2015 Li D16/203
D746,889 S * 1/2016 Moon D16/203
D747,756 S * 1/2016 Scalisi D16/203
D785,067 S * 4/2017 Ramones D16/203
D788,834 S * 6/2017 Bhattacharya D16/203

D794,694 S * 8/2017 Liu D16/203
D795,941 S * 8/2017 Dimitriadis D16/203
D798,360 S * 9/2017 Jeong D16/203
D800,817 S * 10/2017 Sutton D16/202
D805,570 S * 12/2017 Shi D16/202
D806,154 S * 12/2017 Shi D16/202
D810,168 S * 2/2018 Shi D16/202
D813,925 S * 3/2018 Park D16/203
D830,872 S * 10/2018 Jacob D10/118.2
D835,701 S * 12/2018 Song D16/219
D836,147 S * 12/2018 Rao D16/203
D848,891 S * 5/2019 Paredes D10/118.2
D849,077 S * 5/2019 Tian D16/202
D853,464 S * 7/2019 Moon D16/219
D855,484 S * 8/2019 Plested D10/104.1
D869,541 S * 12/2019 Wang D16/203
D874,536 S * 2/2020 Park D16/203
2009/0284644 A1 * 11/2009 McKaughan G01C 3/08
348/348
2017/0085757 A1 * 3/2017 Ramones H04N 5/2252

FOREIGN PATENT DOCUMENTS

CN 304139528 * 5/2017
CN 304288193 * 9/2017
CN 304672522 * 6/2018
CN 304672547 * 6/2018

* cited by examiner

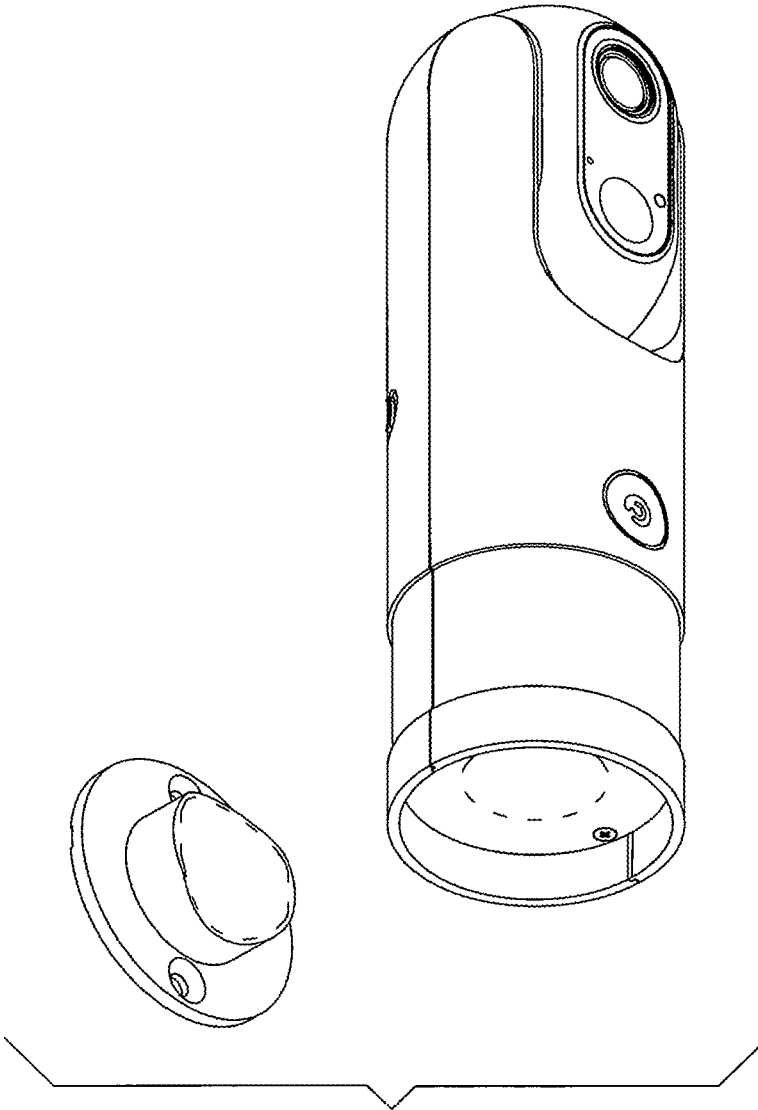


FIG. 1

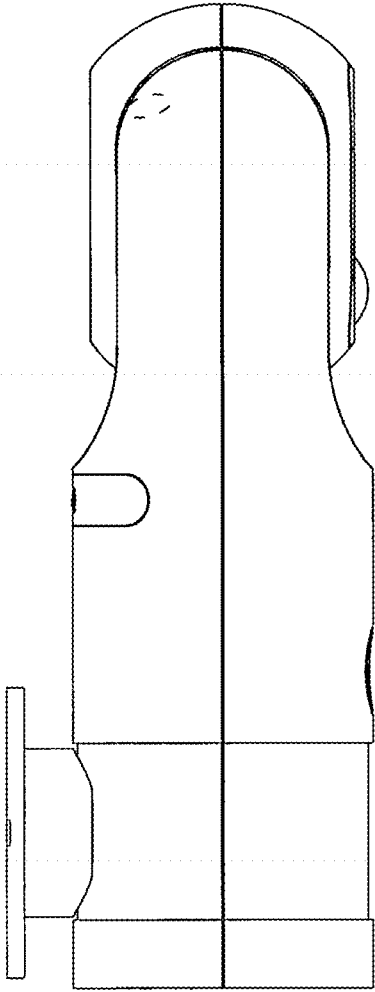


FIG. 2

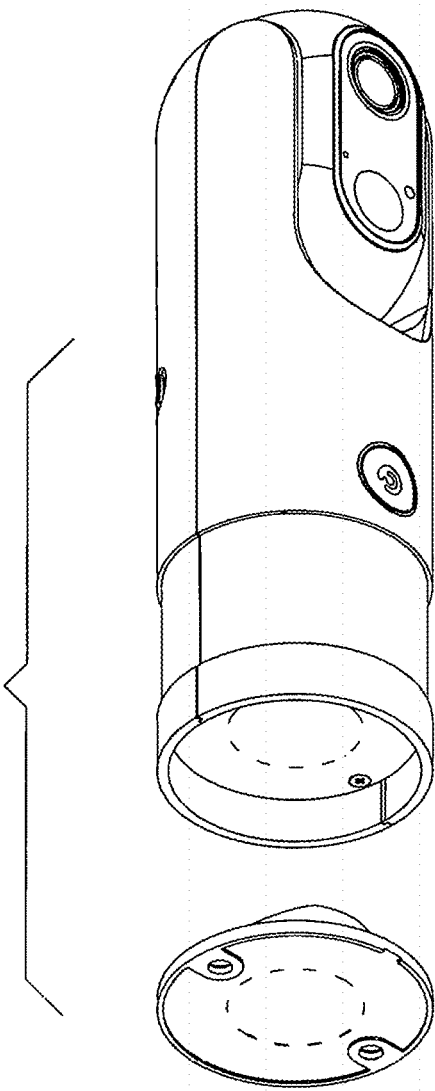


FIG. 3

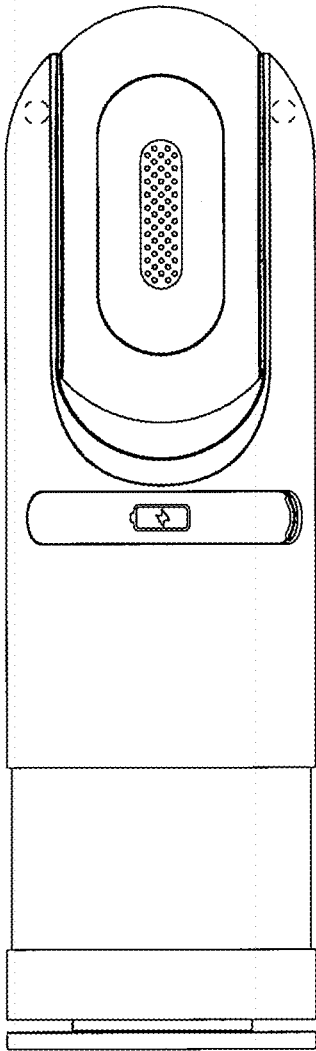


FIG. 4

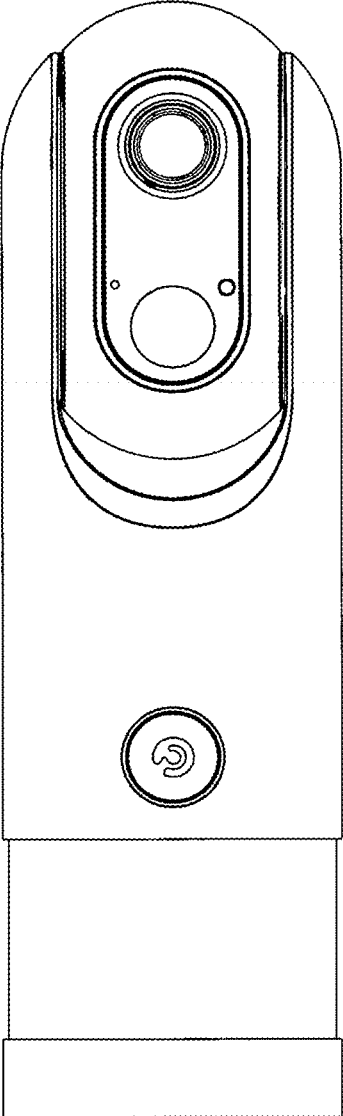


FIG. 5

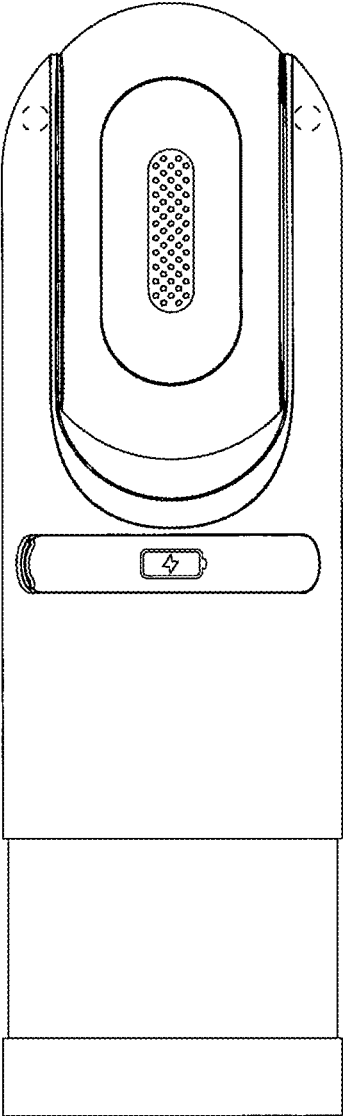


FIG. 6

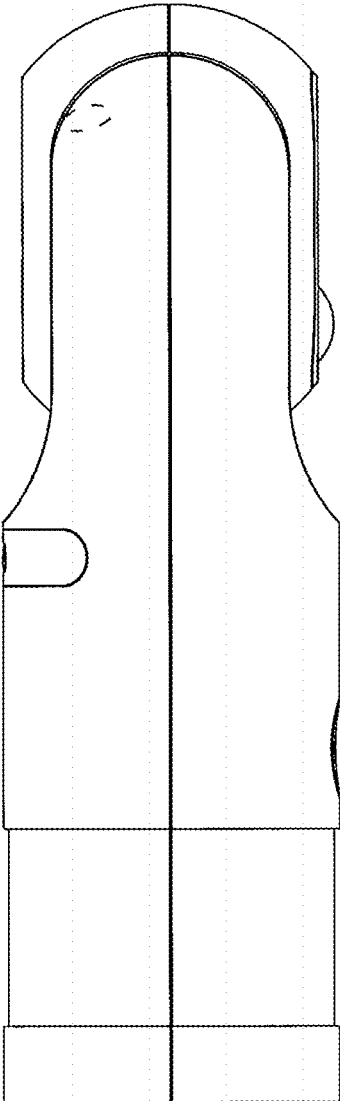


FIG. 7

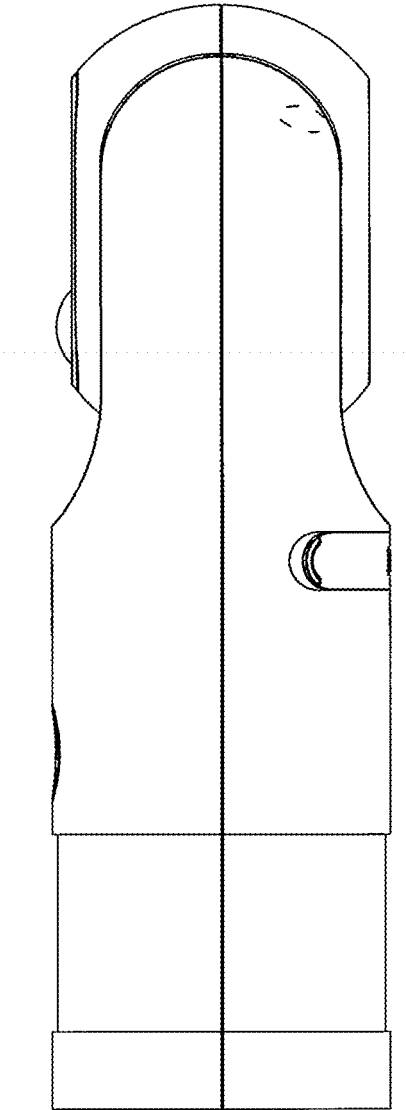


FIG. 8

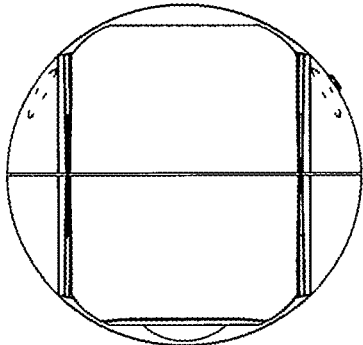


FIG. 9

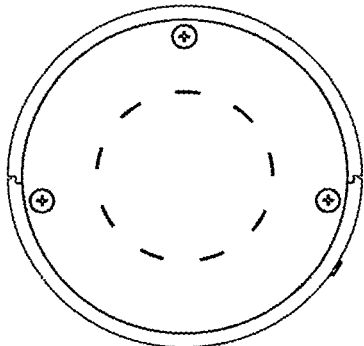


FIG. 10

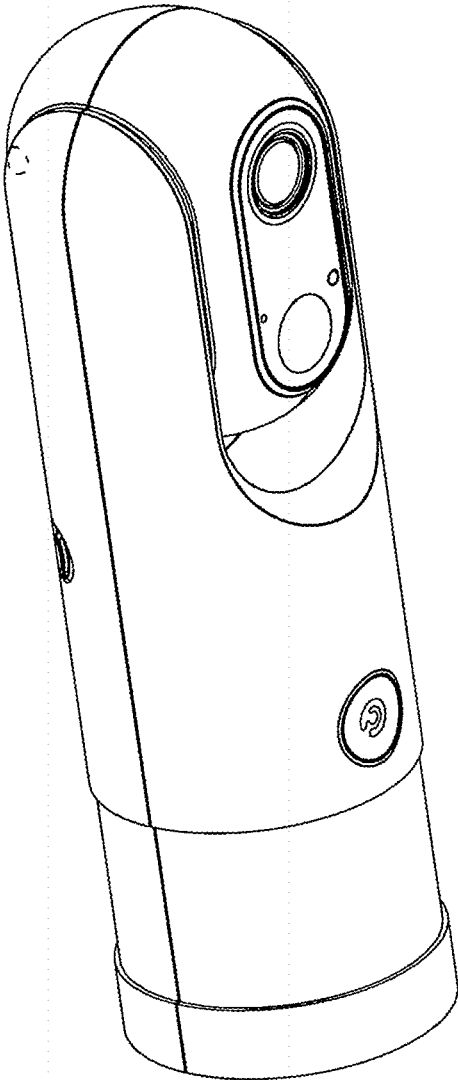


FIG. 11

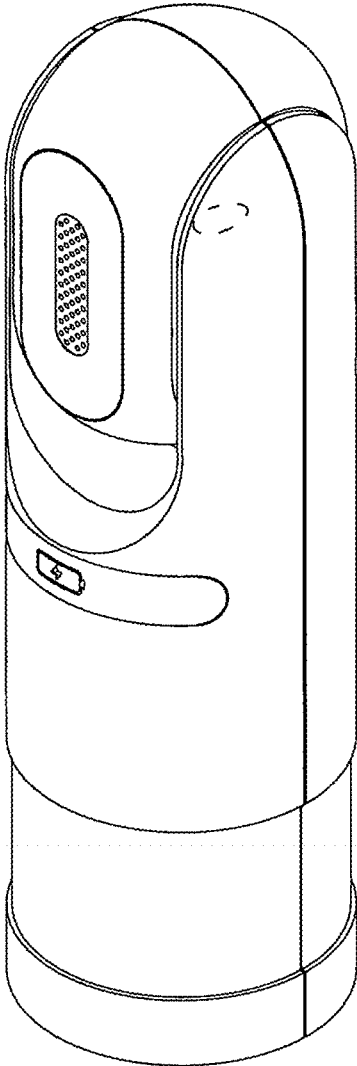


FIG. 12

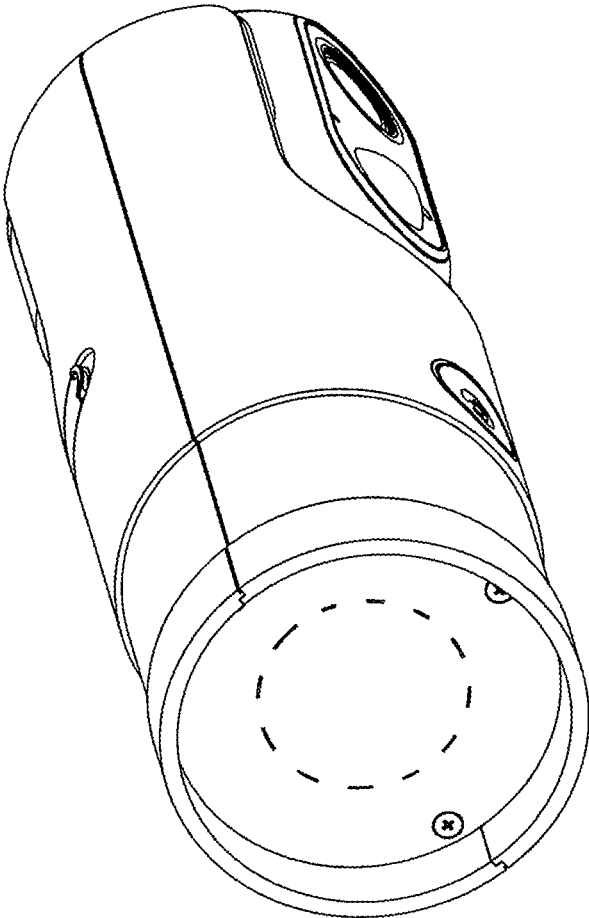


FIG. 13

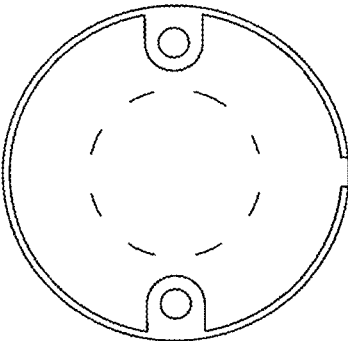


FIG. 14

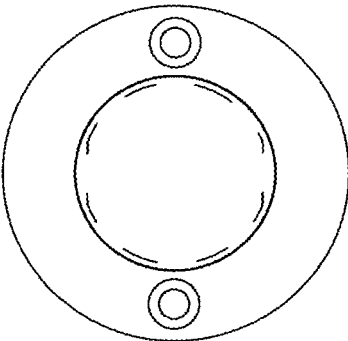


FIG. 15

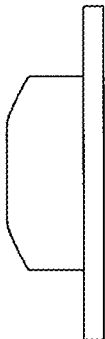


FIG. 16



FIG. 17

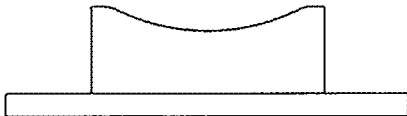


FIG. 18



FIG. 19

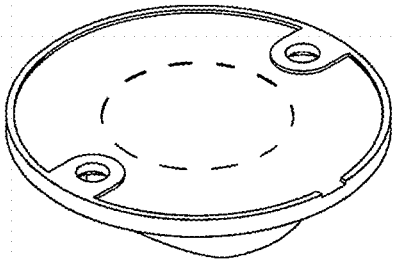


FIG. 20

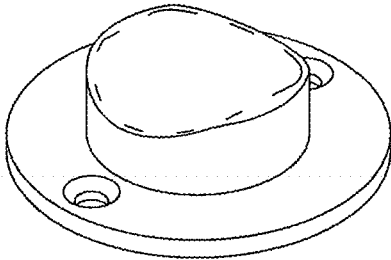


FIG. 21