

May 14, 1940.

G. W. TAMMEN

Des. 120,533

FLUID PUMP OR THE LIKE

Filed March 13, 1940

FIG. 1.

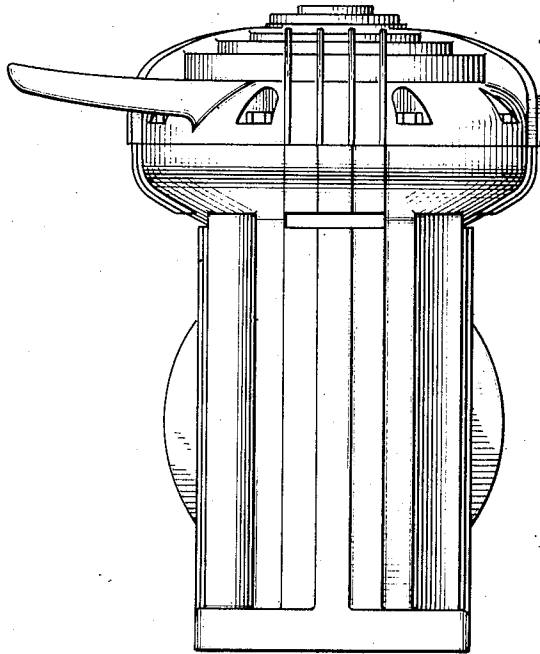


FIG. 2.

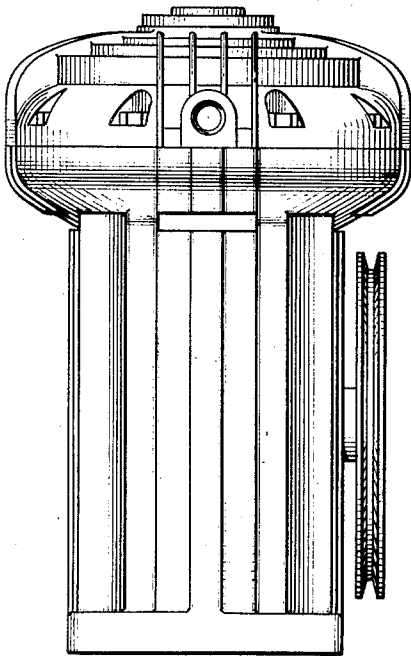
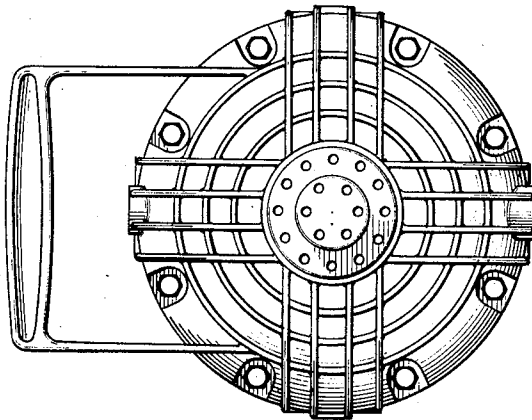


FIG. 3.



Inventor:
Glenn W. Tammen,
By Louis A. Bisson,
Attorney.

UNITED STATES PATENT OFFICE

120,533

DESIGN FOR A FLUID PUMP OR THE LIKE

Glenn W. Tammen, Chicago, Ill., assignor to
Binks Manufacturing Company, Chicago, Ill.,
a corporation of Delaware

Application March 13, 1940, Serial No. 90,897

Term of patent 7 years

To all whom it may concern:

Be it known that I, Glenn W. Tammen, a citizen of the United States, and residing at Chicago, county of Cook, and State of Illinois, have invented a new, original, and ornamental Design for a Fluid Pump or the like, of which the following is a specification, reference being made to the accompanying drawing, forming a part thereof.

Fig. 1 is a view in side elevation of a fluid pump or the like, showing my new design.

Fig. 2 is a view in end elevation of the same.

Fig. 3 is a top plan view of the same.

I claim:

The ornamental design for a fluid pump or the like, substantially as shown.

GLENN W. TAMMEN.