

(19) World Intellectual Property Organization
International Bureau



(43) International Publication Date
26 October 2006 (26.10.2006)

PCT

(10) International Publication Number
WO 2006/113797 A3

- (51) **International Patent Classification:**
G06F 15/16 (2006.01)
- (21) **International Application Number:**
PCT/US2006/014727
- (22) **International Filing Date:** 19 April 2006 (19.04.2006)
- (25) **Filing Language:** English
- (26) **Publication Language:** English
- (30) **Priority Data:**
11/109,776 20 April 2005 (20.04.2005) US
- (71) **Applicant (for all designated States except US):**
VERISIGN, INC. [US/US]; 487 East Middlefield Road, Mountain View, California 94043 (US).
- (72) **Inventor: CHRISTENSEN, Gerald, Todd;** 778 Owl Court, Louisville, Colorado 80027 (US).
- (74) **Agents: ROSINI, James, E. et al.;** KENYON & KENYON LLP, 1500 K Street, N.W., Suite 700, Washington, DC 20005 (US).
- (81) **Designated States (unless otherwise indicated, for every kind of national protection available):** AE, AG, AL, AM, AT, AU, AZ, BA, BB, BG, BR, BW, BY, BZ, CA, CH, CN,

CO, CR, CU, CZ, DE, DK, DM, DZ, EC, EE, EG, ES, FI, GB, GD, GE, GH, GM, HR, HU, ID, IL, IN, IS, JP, KE, KG, KM, KN, KP, KR, KZ, LC, LK, LR, LS, LT, LU, LV, LY, MA, MD, MG, MK, MN, MW, MX, MZ, NA, NG, NI, NO, NZ, OM, PG, PH, PL, PT, RO, RU, SC, SD, SE, SG, SK, SL, SM, SY, TJ, TM, TN, TR, TT, TZ, UA, UG, US, UZ, VC, VN, YU, ZA, ZM, ZW.

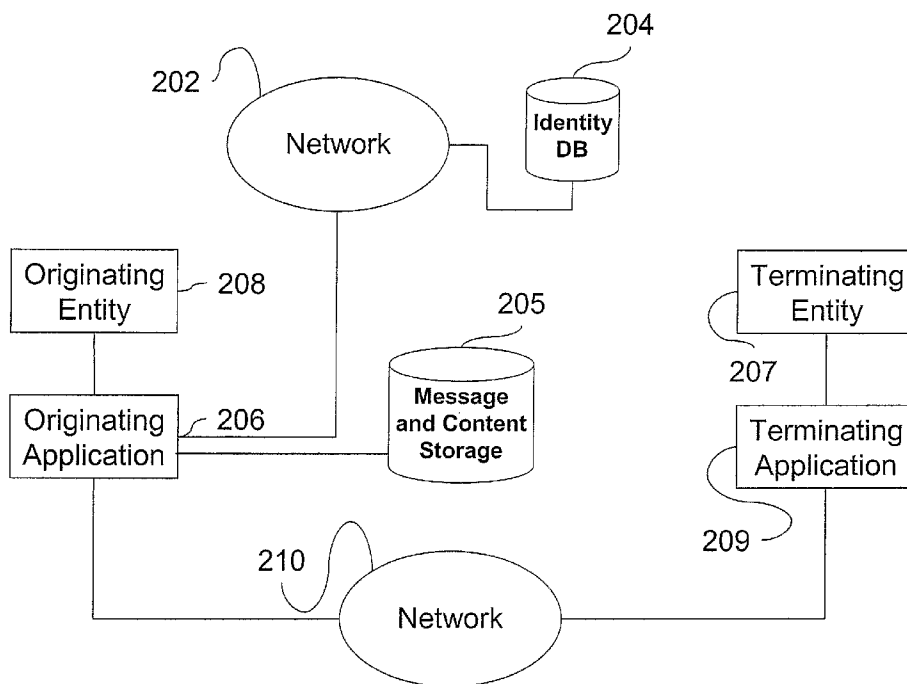
(84) **Designated States (unless otherwise indicated, for every kind of regional protection available):** ARIPO (BW, GH, GM, KE, LS, MW, MZ, NA, SD, SL, SZ, TZ, UG, ZM, ZW), Eurasian (AM, AZ, BY, KG, KZ, MD, RU, TJ, TM), European (AT, BE, BG, CH, CY, CZ, DE, DK, EE, ES, FI, FR, GB, GR, HU, IE, IS, IT, LT, LU, LV, MC, NL, PL, PT, RO, SE, SI, SK, TR), OAPI (BF, BJ, CF, CG, CI, CM, GA, GN, GQ, GW, ML, MR, NE, SN, TD, TG).

Published:
— with international search report
— before the expiration of the time limit for amending the claims and to be republished in the event of receipt of amendments

(88) **Date of publication of the international search report:**
8 November 2007

For two-letter codes and other abbreviations, refer to the "Guidance Notes on Codes and Abbreviations" appearing at the beginning of each regular issue of the PCT Gazette.

(54) **Title:** SENDER IDENTIFICATION SYSTEM AND METHOD



(57) **Abstract:** A database is queried based upon data contained in a message to obtain sender identification information, at least part of which is not contained in the message as it was sent. The sender identification information is presented to a recipient, which can send a signal accepting or rejecting the message based upon the sender identification information. If an accept signal is entered, the message can be forwarded to the recipient and/or rendered to the recipient.

WO 2006/113797 A3

INTERNATIONAL SEARCH REPORT

International application No.

PCT/US 06/14727

A. CLASSIFICATION OF SUBJECT MATTER
 IPC(8) - G06F 15/16 (2007.01)
 USPC - 709/206

According to International Patent Classification (IPC) or to both national classification and IPC

B. FIELDS SEARCHED

Minimum documentation searched (classification system followed by classification symbols)
 USPC - 709/206

Documentation searched other than minimum documentation to the extent that such documents are included in the fields searched
 USPC - 709/206, 227, 246

Electronic data base consulted during the international search (name of data base and, where practicable, search terms used)
 PubWEST (USPT, PGPB, EPAB, JPAB); DialogPRO (Engineering); Google Scholar; User, Caller, Callee, Receiver, Sender, Photograph, Pic, Picture, Video, Database, Rreject, Block, Refuse, Call, Message, Identification

C. DOCUMENTS CONSIDERED TO BE RELEVANT

Category*	Citation of document, with indication, where appropriate, of the relevant passages	Relevant to claim No.
X	US 5,907,604 A (HSU) 25 May 1999 (25.05.1999) entire document (especially col. 4, ln 4-27, col. 5, ln 13-23, col. 6, ln 2-12 and 40-43)	1-14
A	US 5,850,435 A (DEVILLIER) 15 December 1998 (15.12.1998) (col. 3, ln 50-65, col. 6, ln 7-34)	1-2, 4, 6-7, 9, 13

Further documents are listed in the continuation of Box C.

* Special categories of cited documents:

"A" document defining the general state of the art which is not considered to be of particular relevance	"T" later document published after the international filing date or priority date and not in conflict with the application but cited to understand the principle or theory underlying the invention
"E" earlier application or patent but published on or after the international filing date	"X" document of particular relevance; the claimed invention cannot be considered novel or cannot be considered to involve an inventive step when the document is taken alone
"L" document which may throw doubts on priority claim(s) or which is cited to establish the publication date of another citation or other special reason (as specified)	"Y" document of particular relevance; the claimed invention cannot be considered to involve an inventive step when the document is combined with one or more other such documents, such combination being obvious to a person skilled in the art
"O" document referring to an oral disclosure, use, exhibition or other means	"&" document member of the same patent family
"P" document published prior to the international filing date but later than the priority date claimed	

Date of the actual completion of the international search
 01 July 2007 (01.07.2007)

Date of mailing of the international search report

21 SEP 2007

Name and mailing address of the ISA/US
 Mail Stop PCT, Attn: ISA/US, Commissioner for Patents
 P.O. Box 1450, Alexandria, Virginia 22313-1450
 Facsimile No. 571-273-3201

Authorized officer:
 Lee W. Young

PCT Helpdesk: 571-272-4300
 PCT OSP: 571-272-7774