



(51) International Patent Classification:

B65F 1/02 (2006.01) *B23K 26/24* (2006.01)
B65F 1/14 (2006.01) *B23K 33/00* (2006.01)
B21D 39/03 (2006.01) *F16B 5/07* (2006.01)
B23K 9/025 (2006.01) *F16B 5/08* (2006.01)

(21) International Application Number:

PCT/GB2012/050391

(22) International Filing Date:

22 February 2012 (22.02.2012)

(25) Filing Language:

English

(26) Publication Language:

English

(30) Priority Data:

1103102.8 23 February 2011 (23.02.2011) GB

(71) Applicant (for all designated States except US): **RENEW POD LIMITED** [GB/GB]; 11 Hope Street, Douglas, IM1 1AQ (GB).

(72) Inventor; and

(75) Inventor/Applicant (for US only): **SARGEANT, Michael John** [GB/GB]; 17 The Lea, Wokingham, Berkshire, RG40 4YB (GB).

(74) Agents: **DERRY, Paul** et al.; 200 Aldersgate, London, EC1A 4HD (GB).

(81) Designated States (unless otherwise indicated, for every kind of national protection available):

AE, AG, AL, AM, AO, AT, AU, AZ, BA, BB, BG, BH, BR, BW, BY, BZ, CA, CH, CL, CN, CO, CR, CU, CZ, DE, DK, DM, DO, DZ, EC, EE, EG, ES, FI, GB, GD, GE, GH, GM, GT, HN, HR, HU, ID, IL, IN, IS, JP, KE, KG, KM, KN, KP, KR, KZ, LA, LC, LK, LR, LS, LT, LU, LY, MA, MD, ME, MG, MK, MN, MW, MX, MY, MZ, NA, NG, NI, NO, NZ, OM, PE, PG, PH, PL, PT, QA, RO, RS, RU, RW, SC, SD, SE, SG, SK, SL, SM, ST, SV, SY, TH, TJ, TM, TN, TR, TT, TZ, UA, UG, US, UZ, VC, VN, ZA, ZM, ZW.

(84) Designated States (unless otherwise indicated, for every kind of regional protection available):

ARIPO (BW, GH, GM, KE, LR, LS, MW, MZ, NA, RW, SD, SL, SZ, TZ, UG, ZM, ZW), Eurasian (AM, AZ, BY, KG, KZ, MD, RU, TJ, TM), European (AL, AT, BE, BG, CH, CY, CZ, DE, DK, EE, ES, FI, FR, GB, GR, HR, HU, IE, IS, IT, LT, LU, LV, MC, MK, MT, NL, NO, PL, PT, RO, RS, SE, SI, SK, SM, TR), OAPI (BF, BJ, CF, CG, CI, CM, GA, GN, GQ, GW, ML, MR, NE, SN, TD, TG).

Published:

— with international search report (Art. 21(3))

[Continued on next page]

(54) Title: LOCKING PLATE FOR SECURING A DOOR IN A BOMB RESISTANT BIN

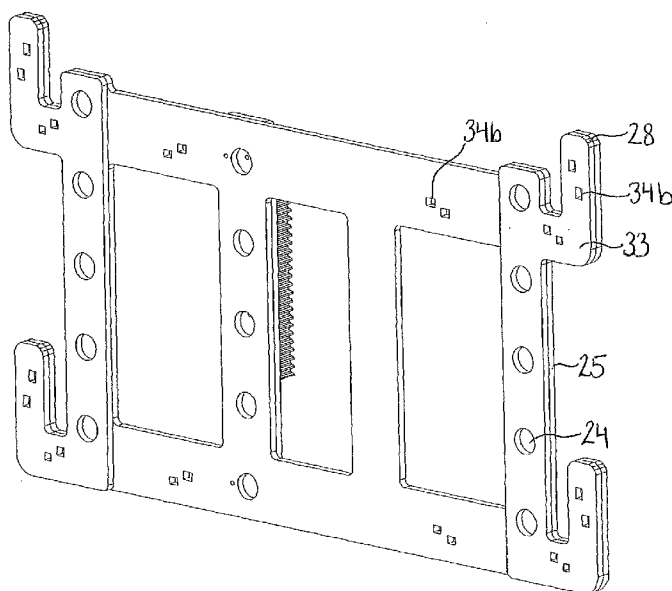


FIGURE 8

(57) Abstract: The locking plate comprises first and second sheet components (33, 25) each formed with a hole (34b) and a third sheet component (34) provided with a corresponding tab (34a) is disclosed. Each of the first and second components (33, 25) has an inner surface and an outer surface on the opposing side. The inner surfaces of the first and second components (33, 25) are located against each other, wherein the third component (34) is located against the outer surface of the first component (33) and the tab is received in the holes (34b) of the first and second components (33, 25) such that the tab (34a) protrudes at least to the outer surface of the second component (25). The tab (34a) is secured to the outer surface of the second component (25) so that the first and second sheet components (33, 25) are joined in a layered fashion.





— *before the expiration of the time limit for amending the claims and to be republished in the event of receipt of amendments (Rule 48.2(h))*

(88) Date of publication of the international search report:
13 December 2012

INTERNATIONAL SEARCH REPORT

International application No
PCT/GB2012/050391

A. CLASSIFICATION OF SUBJECT MATTER
 INV. B65F1/02 B65F1/14 B21D39/03 B23K9/025 B23K26/24
 B23K33/00 F16B5/07 F16B5/08

ADD.
 According to International Patent Classification (IPC) or to both national classification and IPC

B. FIELDS SEARCHED
 Minimum documentation searched (classification system followed by classification symbols)
 B21D B23K F16B

Documentation searched other than minimum documentation to the extent that such documents are included in the fields searched

Electronic data base consulted during the international search (name of data base and, where practicable, search terms used)
 EPO-Internal, WPI Data

Category*	Citation of document, with indication, where appropriate, of the relevant passages	Relevant to claim No.
X	US 4 875 795 A (ANDERSON ROBERT E [US]) 24 October 1989 (1989-10-24)	1,3-5, 7-9
Y	the whole document	2,6
Y	GB 498 730 A (R & J DEMPSTER LTD; WILLIAM ARNOLD HULME) 12 January 1939 (1939-01-12) the whole document	2,6
A	US 1 993 161 A (GOEBERT ELMER C) 5 March 1935 (1935-03-05) the whole document	1-9
A	BE 451 281 A (GUSTLOFF WERKE) 29 June 1943 (1943-06-29) the whole document	1

Further documents are listed in the continuation of Box C. See patent family annex.

* Special categories of cited documents :

"A" document defining the general state of the art which is not considered to be of particular relevance	"T" later document published after the international filing date or priority date and not in conflict with the application but cited to understand the principle or theory underlying the invention
"E" earlier application or patent but published on or after the international filing date	"X" document of particular relevance; the claimed invention cannot be considered novel or cannot be considered to involve an inventive step when the document is taken alone
"L" document which may throw doubts on priority claim(s) or which is cited to establish the publication date of another citation or other special reason (as specified)	"Y" document of particular relevance; the claimed invention cannot be considered to involve an inventive step when the document is combined with one or more other such documents, such combination being obvious to a person skilled in the art
"O" document referring to an oral disclosure, use, exhibition or other means	"&" document member of the same patent family
"P" document published prior to the international filing date but later than the priority date claimed	

Date of the actual completion of the international search 24 September 2012	Date of mailing of the international search report 09/10/2012
------------------------------------------------------------------------------------	----------------------------------------------------------------------

Name and mailing address of the ISA/ European Patent Office, P.B. 5818 Patentlaan 2 NL - 2280 HV Rijswijk Tel. (+31-70) 340-2040, Fax: (+31-70) 340-3016	Authorized officer Serrano Galarraga, J
----------------------------------------------------------------------------------------------------------------------------------------------------------------------	------------------------------------------------

INTERNATIONAL SEARCH REPORT

Information on patent family members

International application No
PCT/GB2012/050391

Patent document cited in search report	Publication date	Patent family member(s)	Publication date
US 4875795	A	24-10-1989	NONE
GB 498730	A	12-01-1939	NONE
US 1993161	A	05-03-1935	NONE
BE 451281	A	29-06-1943	NONE