



US00D785154S

(12) **United States Design Patent**  
**McPhilliamy et al.**

(10) **Patent No.:** **US D785,154 S**  
(45) **Date of Patent:** **\*\* Apr. 25, 2017**

- (54) **AIR FILTRATION DEVICE**
- (71) Applicant: **Illinois Tool Works Inc.**, Glenview, IL (US)
- (72) Inventors: **Stephen J. McPhilliamy**, Chicago, IL (US); **Antonio J. Belton**, Richton Park, IL (US); **John S. White, Jr.**, Chicago, IL (US); **Ryan L. Francis**, Palatine, IL (US)
- (73) Assignee: **Illinois Tool Works Inc.**, Glenview, IL (US)
- (\*\*) Term: **15 Years**
- (21) Appl. No.: **29/562,141**
- (22) Filed: **Apr. 22, 2016**

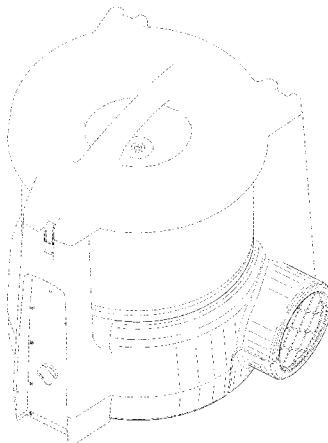
**Related U.S. Application Data**

- (63) Continuation of application No. 29/484,485, filed on Mar. 10, 2014, now Pat. No. Des. 758,558.
- (51) **LOC (10) Cl.** ..... **23-04**
- (52) **U.S. Cl.**  
USPC ..... **D23/364**
- (58) **Field of Classification Search**  
USPC ..... D23/365, 209, 363, 358, 386, 354, 341, D23/364; 55/385.3, 502, 497, 506, 505, 55/521, 495, 422, 493, DIG. 30; 210/435, 130, 136, 248, 339, 448, 452, 210/497.1; D15/5  
CPC B01D 46/0004; B01D 46/0041; B01D 46/30; B01D 46/0086; B01D 46/0024; B01D 46/44; B01D 46/444; B01D 46/46; B01D 46/446  
See application file for complete search history.

4,658,707 A	4/1987	Hawkins et al.	
4,772,297 A	9/1988	Anzai	
4,786,295 A	11/1988	Newman et al.	
4,859,220 A	8/1989	Leber et al.	
4,940,474 A	7/1990	Larsson et al.	
4,960,143 A	10/1990	Dore et al.	
4,979,967 A	12/1990	Walter et al.	
5,013,333 A	5/1991	Beaufoy et al.	
D320,071 S	9/1991	Cook	
5,069,691 A	12/1991	Travis et al.	
5,096,474 A	3/1992	Miller, Jr. et al.	
5,120,331 A	6/1992	Landy	
5,163,818 A	11/1992	Betsill et al.	
5,230,723 A	7/1993	Travis et al.	
5,242,474 A	9/1993	Herbst et al.	
5,433,763 A	7/1995	Shagott et al.	
5,436,216 A	7/1995	Toyao et al.	
D362,903 S	10/1995	Chiu	
D362,906 S	10/1995	Chiu	
D365,388 S	12/1995	Williams	
D365,389 S	12/1995	Williams	
5,505,763 A	4/1996	Reighard et al.	
5,588,985 A	12/1996	Shagott et al.	
5,593,470 A	1/1997	Shagott et al.	
D380,820 S	7/1997	Levine .....	D23/356
D382,635 S	8/1997	Jane	
D383,202 S	9/1997	Meister et al.	
D386,576 S	11/1997	Wang et al.	
D388,162 S	12/1997	Chiu	
D390,910 S	2/1998	Sundquist	
5,753,000 A	5/1998	Chiu et al.	
5,813,089 A	9/1998	Nolan et al.	
D401,306 S	11/1998	Ward et al.	
5,840,094 A	11/1998	Osendorf et al.	
D403,414 S	12/1998	Shelton et al.	
D404,807 S	1/1999	Nepsund et al.	
5,858,044 A	1/1999	Nepsund et al.	
5,862,737 A	1/1999	Chiu et al.	
D407,475 S	3/1999	Coulonvaux .....	D23/355
D407,808 S	4/1999	Nepsund et al.	
D410,074 S	5/1999	Lee	
5,925,172 A	7/1999	Rick et al.	
D416,317 S	11/1999	Bellil et al.	
D416,613 S	11/1999	Bellil et al.	
D416,614 S	11/1999	Bellil et al.	
D417,911 S	12/1999	Jane et al.	
6,013,121 A	1/2000	Chiu et al.	
D421,648 S	3/2000	Jane	
D422,070 S	3/2000	Bellil et al.	
6,036,757 A	3/2000	Gatchell et al.	
D423,659 S	4/2000	Schippanoski	
6,053,482 A	4/2000	Glenn	
6,062,977 A	5/2000	Hague	

(56) **References Cited**  
**U.S. PATENT DOCUMENTS**

3,780,260 A	12/1973	Elsner
4,560,477 A	12/1985	Moldow
4,629,482 A	12/1986	Davis



6,065,424 A 5/2000 Shacham-Diamand et al.  
 6,066,194 A 5/2000 Huggins et al.  
 6,091,888 A 7/2000 Jane et al.  
 6,099,608 A 8/2000 Harms et al.  
 D434,841 S 12/2000 Lozzio et al.  
 6,156,085 A 12/2000 Chiu et al.  
 D437,635 S 2/2001 Lozzio et al.  
 D438,214 S 2/2001 Gieseke et al.  
 D438,944 S 3/2001 Terpko et al.  
 6,209,347 B1 4/2001 Corrigan et al.  
 6,283,458 B1 9/2001 Cox et al.  
 D450,377 S 11/2001 Terpko et al.  
 6,345,516 B1 2/2002 Kesler et al.  
 6,348,086 B1 2/2002 Harms et al.  
 6,361,590 B1 3/2002 Gilbert, Jr. et al.  
 6,391,102 B1 5/2002 Bodden et al.  
 6,494,940 B1 12/2002 Hak  
 6,503,459 B1\* 1/2003 Leonard ..... A01M 1/2088  
 422/120  
 D470,216 S 2/2003 Gustafson et al.  
 6,517,475 B1 2/2003 Brown et al.  
 D480,127 S 9/2003 Cox et al.  
 D481,112 S 10/2003 Best  
 6,640,792 B2 11/2003 Harvey et al.  
 6,663,838 B1 12/2003 Soller  
 6,676,271 B2 1/2004 Kohn  
 D491,654 S 6/2004 Gatchell et al.  
 6,790,257 B2 9/2004 Jeng et al.  
 D499,177 S 11/2004 Kosmider et al.  
 6,899,745 B2 5/2005 Gatchell et al.  
 D509,292 S 9/2005 Gatchell et al.  
 6,938,886 B2 9/2005 Glucksman  
 6,958,083 B1\* 10/2005 Schmitz ..... B01D 46/0046  
 55/337  
 D513,797 S 1/2006 Wang  
 D515,190 S 2/2006 Bartholmey et al.  
 7,014,686 B2 3/2006 Gatchell et al.  
 7,168,427 B2 1/2007 Bachinski et al.  
 7,258,715 B2 8/2007 Cox et al.  
 D565,713 S\* 4/2008 Gao ..... D23/356  
 D572,356 S 7/2008 Harber  
 7,537,631 B2\* 5/2009 Scott ..... B01D 46/0001  
 55/498  
 7,537,647 B2 5/2009 Adair et al.  
 7,594,944 B2 9/2009 Oh  
 7,808,246 B2 10/2010 Sobue et al.  
 7,815,705 B2 10/2010 Ehrenberg  
 7,874,431 B2 1/2011 Eisengraeber-Pabst et al.  
 7,892,337 B2 2/2011 Palmerton et al.  
 7,915,847 B2 3/2011 Jeung  
 8,016,922 B2 9/2011 Ehrenberg  
 D647,188 S 10/2011 Bergami  
 8,042,694 B2 10/2011 Driml et al.  
 D652,497 S 1/2012 Troxell et al.  
 D655,379 S 3/2012 Doyle et al.  
 D659,257 S 5/2012 Desberg  
 8,281,514 B2\* 10/2012 Fleming ..... A01M 1/04  
 239/34  
 D671,633 S 11/2012 Glasbrenner  
 8,323,370 B2 12/2012 Troxell et al.  
 8,486,170 B2 7/2013 Conrad et al.  
 D694,871 S 12/2013 Maholick et al.  
 8,640,360 B2 2/2014 Stamm et al.  
 D707,338 S 6/2014 Ediger et al.  
 D713,023 S 9/2014 Chen et al.  
 D715,911 S 10/2014 Lin  
 8,973,214 B2\* 3/2015 Conrad ..... A47L 9/00  
 15/353  
 D732,647 S 6/2015 McPhilliamy  
 D739,513 S 9/2015 Williams et al.  
 9,120,044 B2 9/2015 Cornell  
 D740,936 S\* 10/2015 Kim ..... D24/111  
 9,334,086 B2\* 5/2016 Bean ..... B65D 25/54  
 D762,834 S\* 8/2016 Kaufmann ..... D23/365  
 D768,833 S\* 10/2016 Moredock ..... D23/365  
 2002/0088209 A1 7/2002 Stephens  
 2002/0124538 A1 9/2002 Oh  
 2004/0035094 A1 2/2004 Jersey  
 2004/0065202 A1 4/2004 Gatchell et al.

2004/0187455 A1 9/2004 Niakan et al.  
 2007/0221061 A1 9/2007 Steiner et al.  
 2014/0260144 A1 9/2014 Williams et al.  
 2014/0260996 A1 9/2014 Grider et al.  
 2015/0284260 A1 10/2015 Huda  
 2016/0114275 A1\* 4/2016 Schwartz ..... B01D 46/0024  
 55/488

FOREIGN PATENT DOCUMENTS

CN 101010142 A 8/2007  
 WO WO 2006012520 A2 2/2006

OTHER PUBLICATIONS

Features of DefendAir HEPA 500, Dri-Eaz, available at [http://www.drieaz.com/\\_DEC/DEC\\_Product\\_Base.aspx?decID=1041&AspxAutoDetectCookieSupport=1](http://www.drieaz.com/_DEC/DEC_Product_Base.aspx?decID=1041&AspxAutoDetectCookieSupport=1) (Features tab), printed Jul. 27, 2013 (1 page).  
 Dri-Eaz, Owner's Manual DefendAir HEPA 500 Air Scrubber 115v Model, available at [http://www.drieaz.com/\\_DEC/Uploads/Document/Manuals/DefendAir%20HEPA%20500%20Owner's%20Manual.pdf](http://www.drieaz.com/_DEC/Uploads/Document/Manuals/DefendAir%20HEPA%20500%20Owner's%20Manual.pdf), Copyright 2004 (18 pages).  
 Guide to Air Scrubbing, Dri-Eaz, available at [http://www.drieaz.com/\\_DEC/Uploads/Document/Docs/Guide%20to%20Air%20Scrubbing.pdf](http://www.drieaz.com/_DEC/Uploads/Document/Docs/Guide%20to%20Air%20Scrubbing.pdf), printed Jul. 27, 2013 (16 pages).  
 Dri-Eaz Air Filtration HEPA 500 Flyer, available at [http://www.drieaz.com/\\_DEC/Uploads/Document/Manuals/DE\\_HEPA500\\_Filters\\_Restoration\\_Print.pdf](http://www.drieaz.com/_DEC/Uploads/Document/Manuals/DE_HEPA500_Filters_Restoration_Print.pdf), printed Jul. 27, 2013 (1 page).  
 Photograph of filters of Dri-Eaz DefendAir HEPA 500, available at [http://www.drieaz.com/\\_DEC/Uploads/Document/Manuals/F284\\_HEPA500\\_DOP\\_Carbon\\_Photo.jpg](http://www.drieaz.com/_DEC/Uploads/Document/Manuals/F284_HEPA500_DOP_Carbon_Photo.jpg), printed Jul. 27, 2013 (1 page).  
 First Stage Pre-Filter for DefendAir HEPA 500, Dri-Eaz, available at [http://www.drieaz.com/\\_DEC/DEC\\_Product\\_Base.aspx?decID=1097](http://www.drieaz.com/_DEC/DEC_Product_Base.aspx?decID=1097), printed Jul. 27, 2013 (1 page).  
 Second Stage Pre-Filter for DefendAir HEPA 500, Dri-Eaz, available at [http://www.drieaz.com/\\_DEC/DEC\\_Product\\_Base.aspx?decID=1098](http://www.drieaz.com/_DEC/DEC_Product_Base.aspx?decID=1098), printed Jul. 27, 2013 (1 page).  
 Activated Carbon Filter for DefendAir HEPA 500, Dri-Eaz, available at [http://www.drieaz.com/\\_DEC/DEC\\_Product\\_Base.aspx?decID=1109](http://www.drieaz.com/_DEC/DEC_Product_Base.aspx?decID=1109), printed Jul. 27, 2013 (1 page).  
 HEPA 500 Filters for DefendAir HEPA 500, Dri-Eaz, available at [http://www.drieaz.com/\\_DEC/DEC\\_Product\\_Base.aspx?decID=1096](http://www.drieaz.com/_DEC/DEC_Product_Base.aspx?decID=1096), printed Jul. 27, 2013 (1 page).  
 DOP Stage 2 HEPA 500 Pre-Filter for DefendAir Hepa 500, Dri-Eaz, available at [http://www.drieaz.com/\\_DEC/DEC\\_Product\\_Base.aspx?decID=1129](http://www.drieaz.com/_DEC/DEC_Product_Base.aspx?decID=1129), printed Jul. 27, 2013 (1 page).  
 Specs of DefendAir HEPA 500, Dri-Eaz, available at [http://www.drieaz.com/\\_DEC/DEC\\_Product\\_Base.aspx?decID=1041&AspxAutoDetectCookieSupport=1](http://www.drieaz.com/_DEC/DEC_Product_Base.aspx?decID=1041&AspxAutoDetectCookieSupport=1) (Specs tab), printed Jul. 27, 2013 (1 page).  
 Overview of PRED600HC Portable Air Scrubber, Abatement Technologies, available at <http://www.abatement.com/government-industry-schools/port-air-scrub-pred600hc.htm> (Overview tab), Copyright 2013 (2 pages).  
 "The Predator 600 Portable Air Scrubber, Big Time Performance in a Small Package"; Brochure, available at <http://www.abatement.com/pdf/pred600-brochure.pdf>, Copyright 2012 (2 page).  
 "Warning! Are the Molded Plastic Scrubbers You Are Using Safe? or, Could They Expose You to Fire and Safety Risks?," White Paper by Abatement Technologies, available at <http://www.abatement.com/pdf/benefits-rotational-molded-plastic-cabinets.pdf>, printed Jul. 27, 2013 (3 pages).  
 Specs of PRED600HC Portable Air Scrubber, Abatement Technologies, available at <http://www.abatement.com/government-industry-schools/port-air-scrub-pred600hc.htm> (Specs tab), Copyright 2013 (2 pages).  
 Comparison of PRED600HC Portable Air Scrubber, Abatement Technologies, available at <http://www.abatement.com/government-industry-schools/port-air-scrub-pred600hc.htm> (Comparison tab), Copyright 2013 (3 pages).

Photos of PRED600HC Portable Air Scrubber, Abatement Technologies, available at <http://www.abatement.com/government-industry-schools/port-air-scrub-pred600hc.htm> (Photos tab), Copyright 2013 (2 pages).

Filters and Accessories for PRED600HC Portable Air Scrubber, Abatement Technologies, available at <http://www.abatement.com/government-industry-schools/port-air-scrub-pred600hc.htm> (Filters & Accessories tab), Copyright 2013 (2 pages).

Related Products for PRED600HC Portable Air Scrubber, Abatement Technologies, available at <http://www.abatement.com/government-industry-schools/port-air-scrub-pred600hc.htm> (Related Products tab), Copyright 2013 (3 pages).

International Search Report and Written Opinion for International Application No. PCT/US2014/024800, mailed Oct. 13, 2014 (16 pages).

International Search Report and Written Opinion for International Application No. PCT/US2014/024837, mailed Oct. 13, 2014 (15 pages).

\* cited by examiner

*Primary Examiner* — David Muller

*Assistant Examiner* — Nathan Johnston

(74) *Attorney, Agent, or Firm* — Neal, Gerber & Eisenberg LLP

(57)

**CLAIM**

The ornamental design for an air filtration device, as shown and described.

**DESCRIPTION**

FIG. 1 is a top front right perspective view of an air filtration device of our new design.

FIG. 2 is a top front left perspective view thereof.

FIG. 3 is top back right perspective view thereof

FIG. 4 is a bottom back left perspective view thereof.

FIG. 5 is a front side elevational view thereof.

FIG. 6 is a back side elevational view thereof.

FIG. 7 is a right side elevational view thereof.

FIG. 8 is a left side elevational view thereof.

FIG. 9 is a top plan view thereof; and,

FIG. 10 is a bottom plan view thereof.

The broken lines showing parts of the drawings are included to illustrate use and environment and form no part of the claimed design.

**1 Claim, 10 Drawing Sheets**

FIG. 1

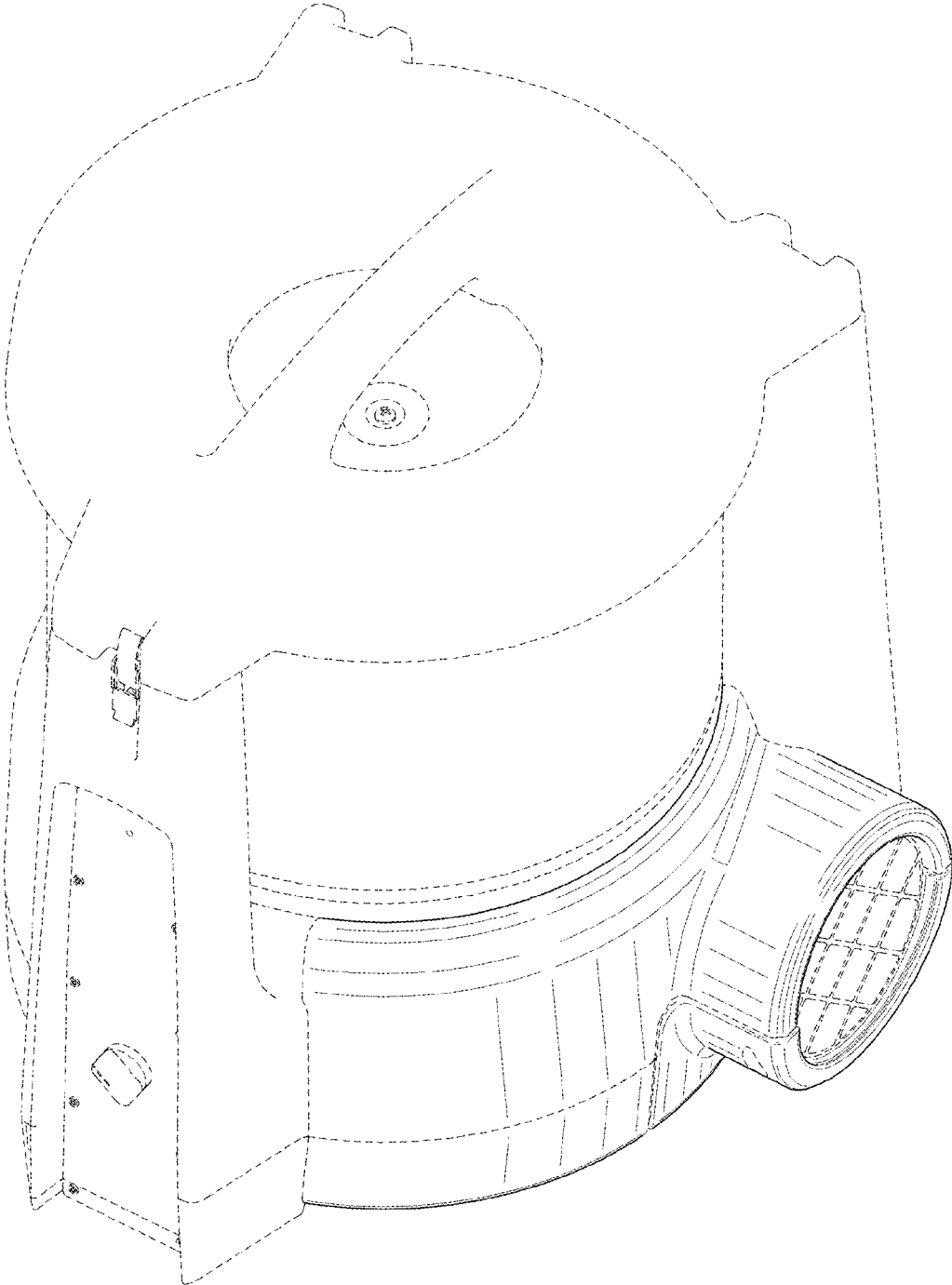


FIG. 2

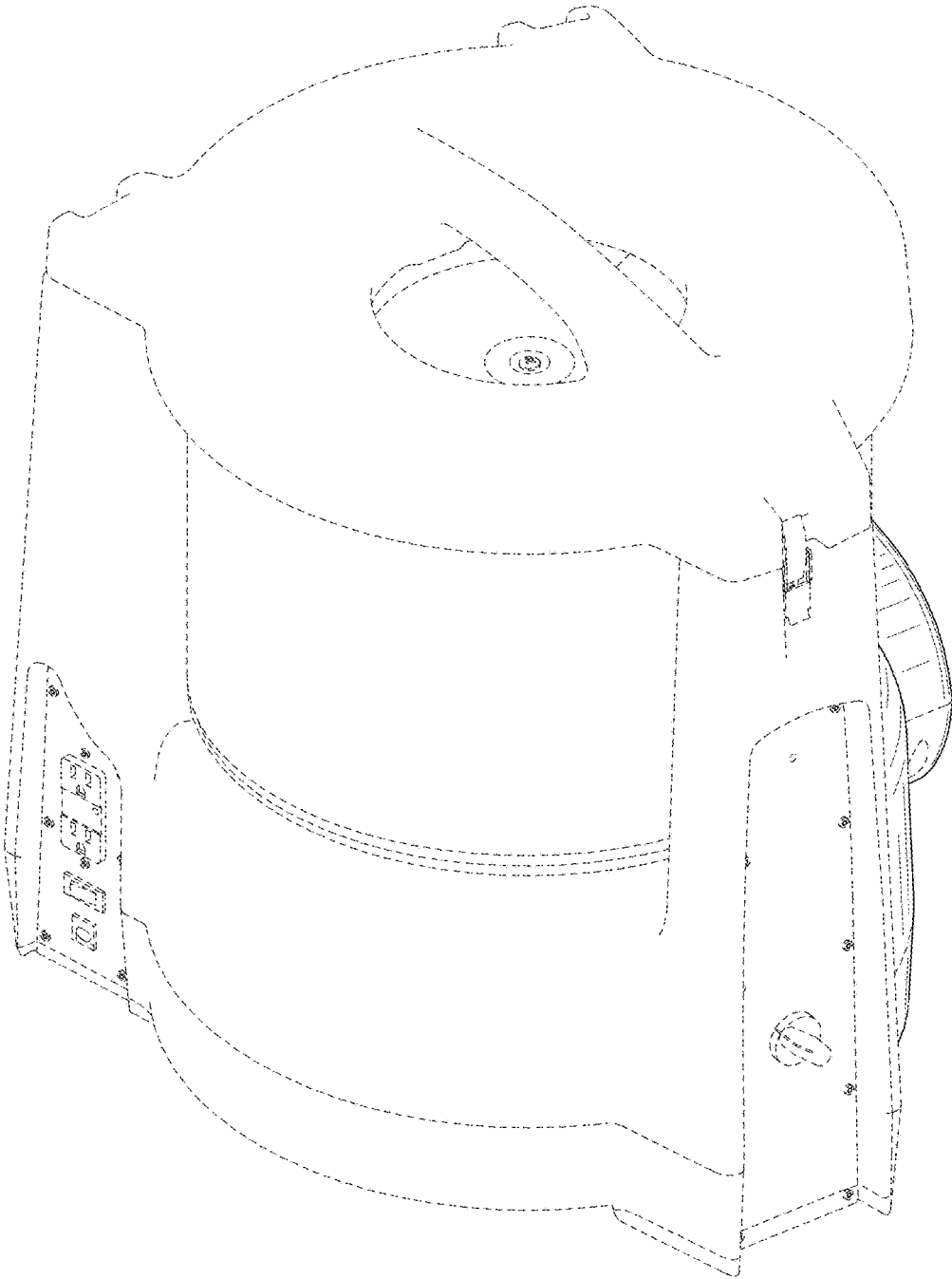


FIG. 3

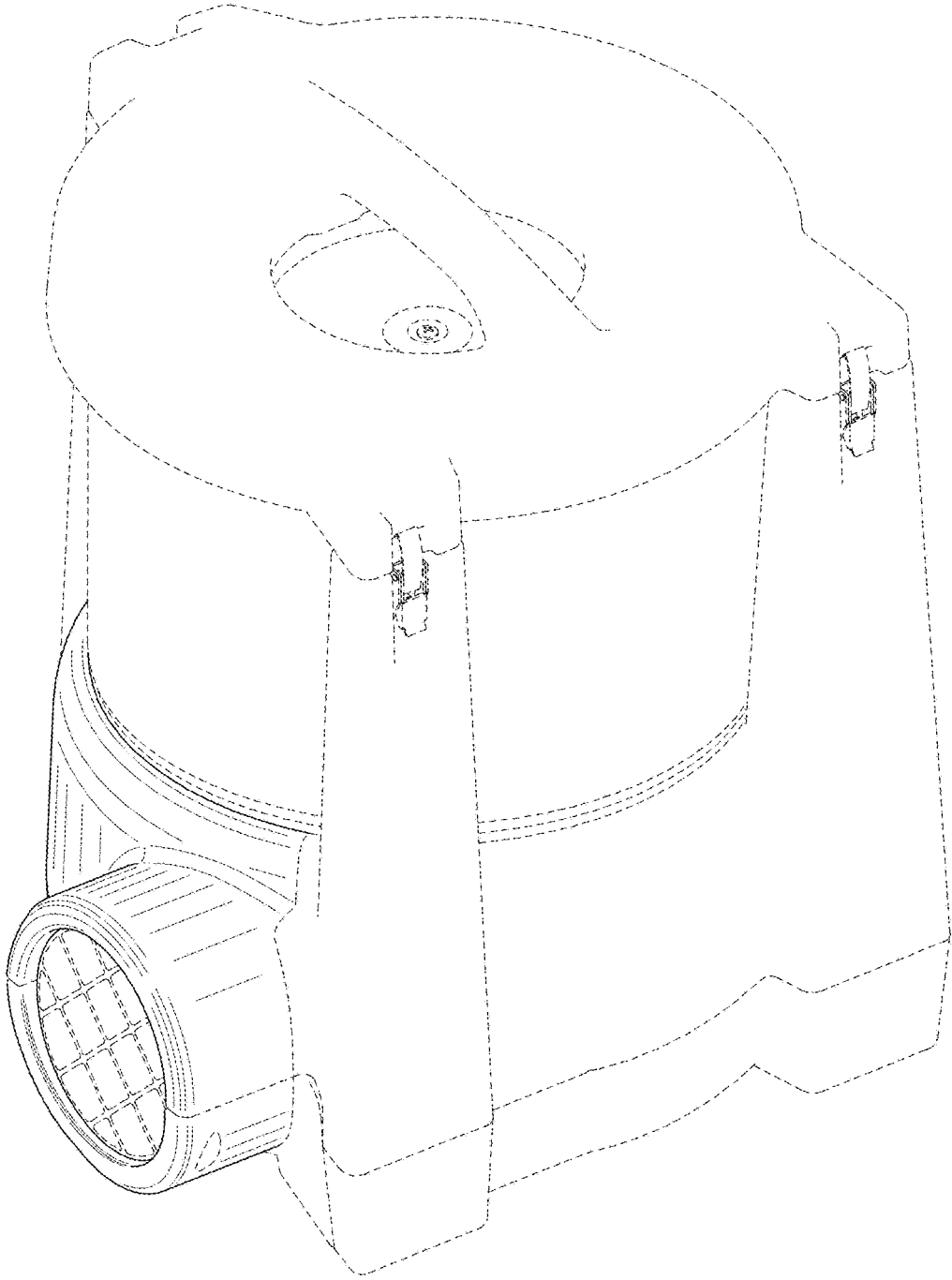


FIG. 4

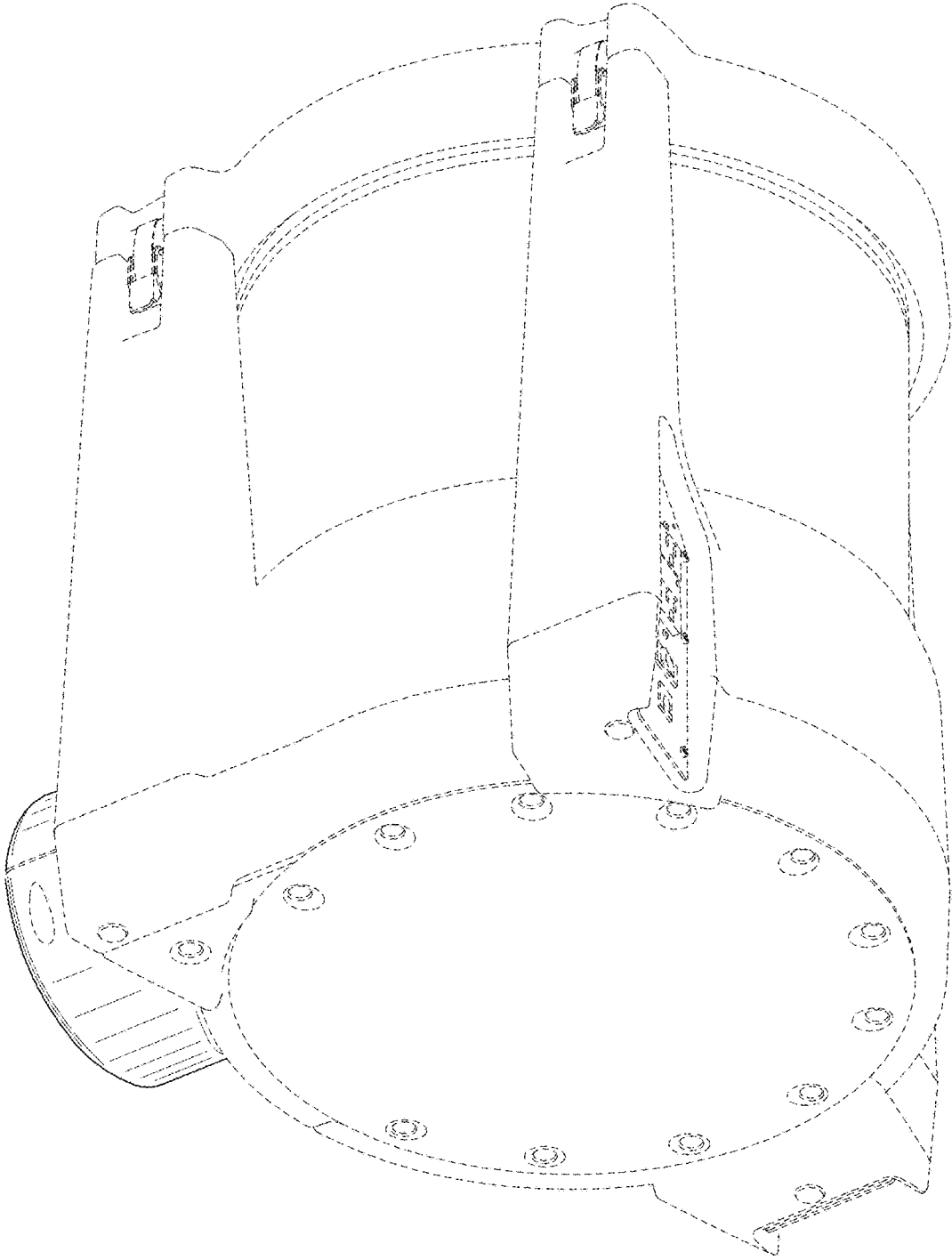


FIG. 5

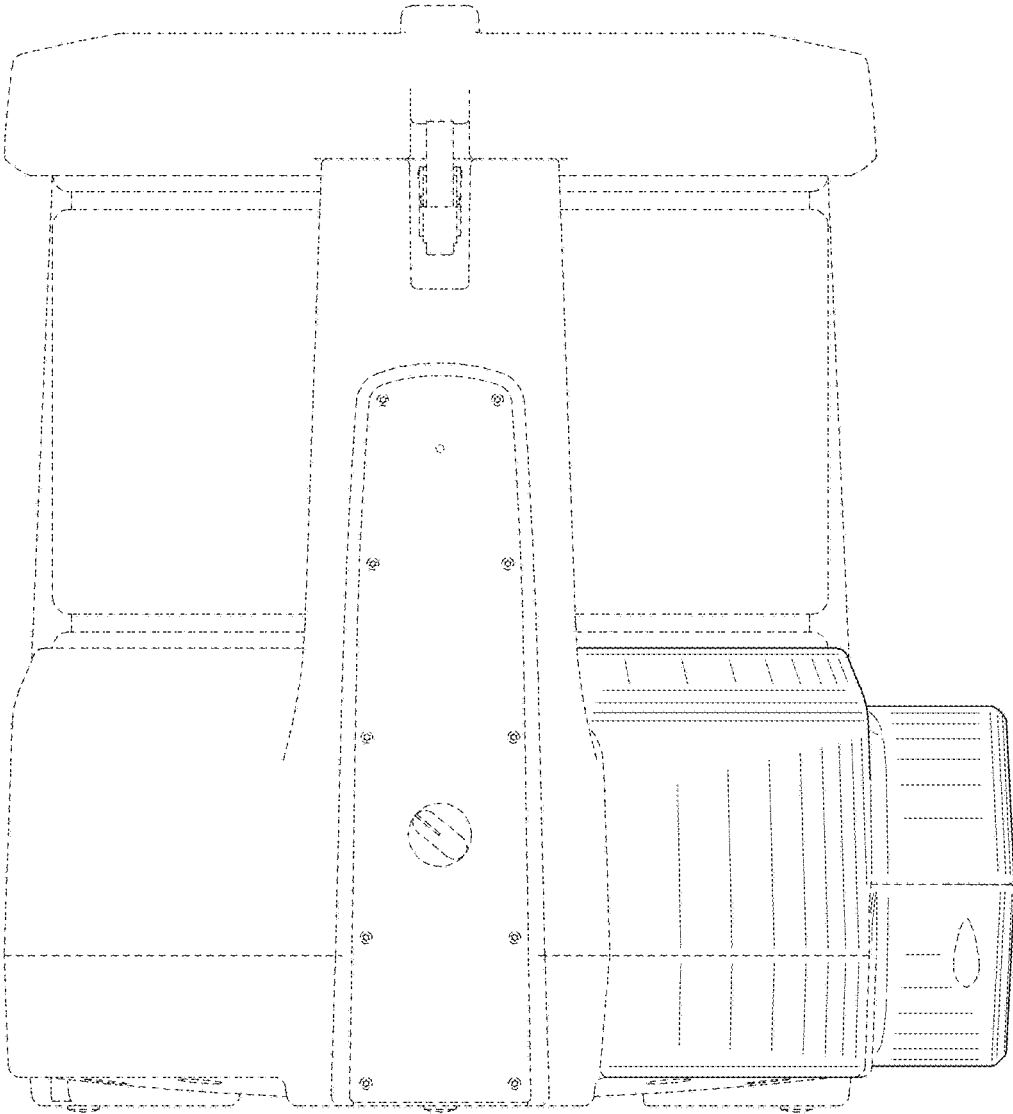




FIG. 6

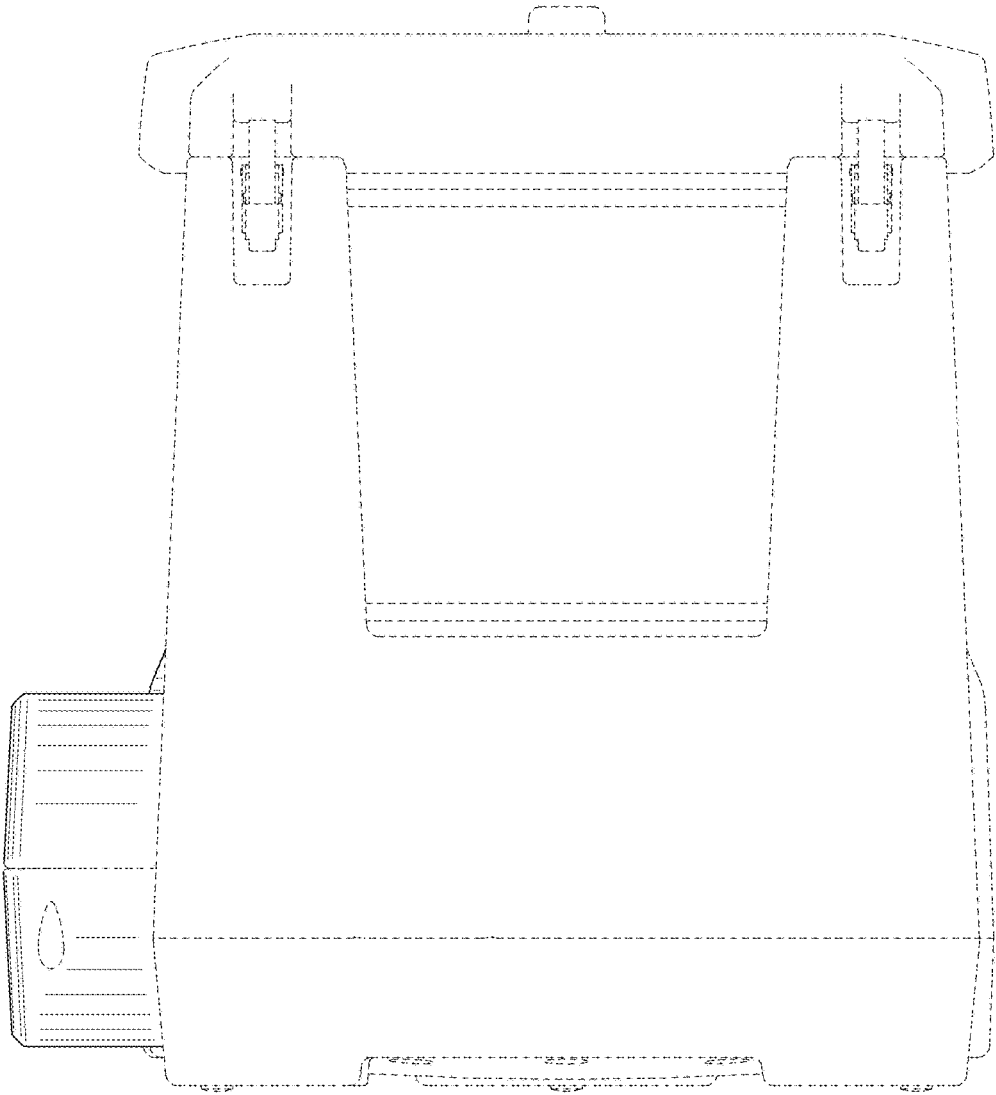


FIG. 7

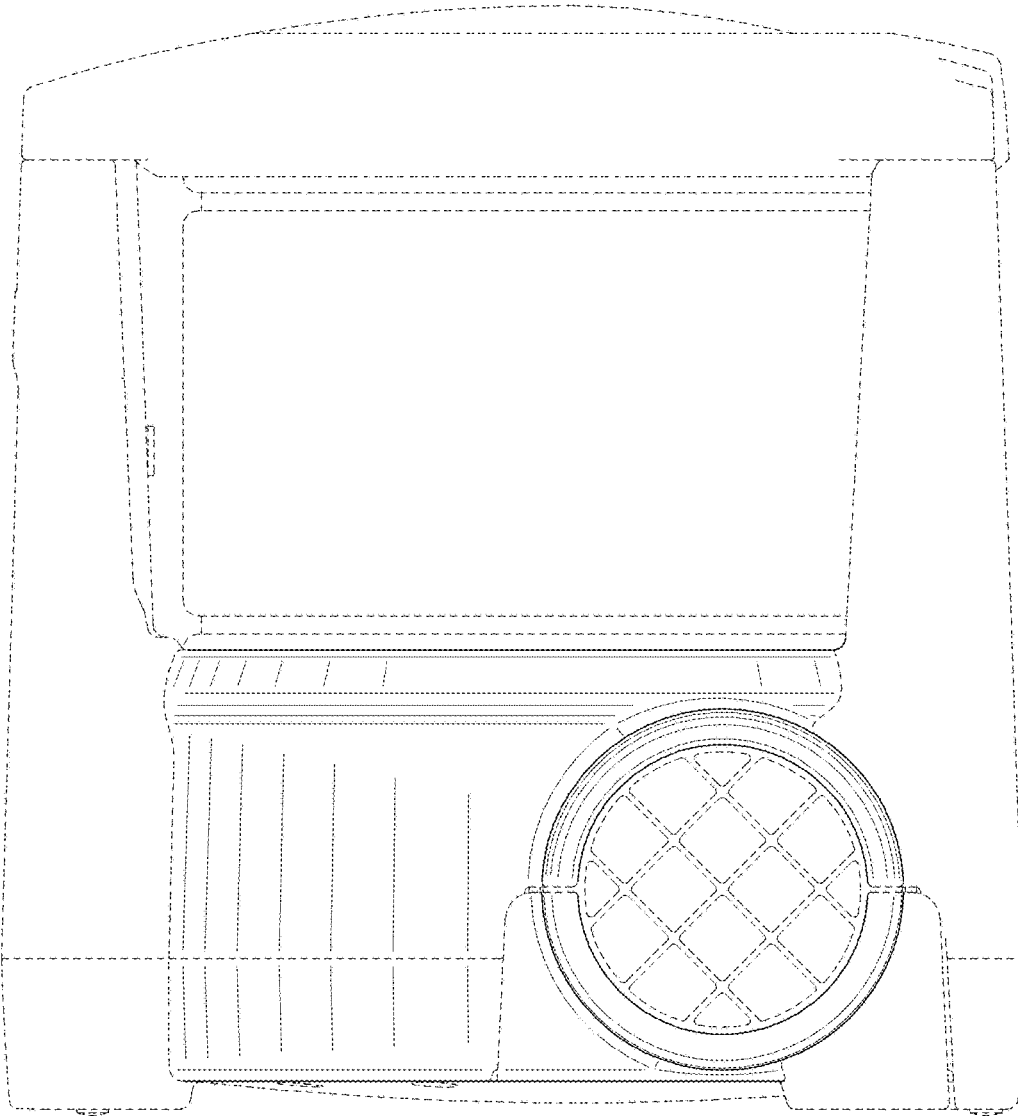


FIG. 8

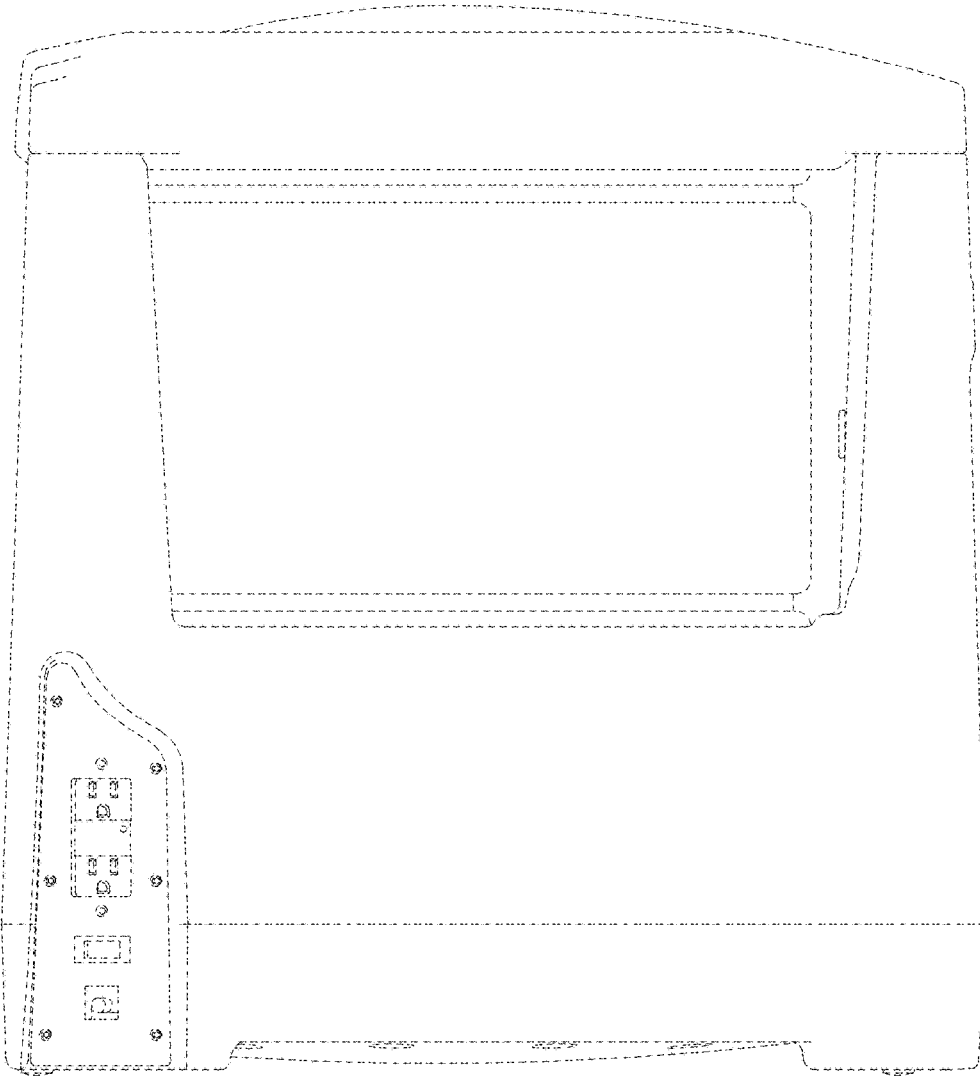


FIG. 9

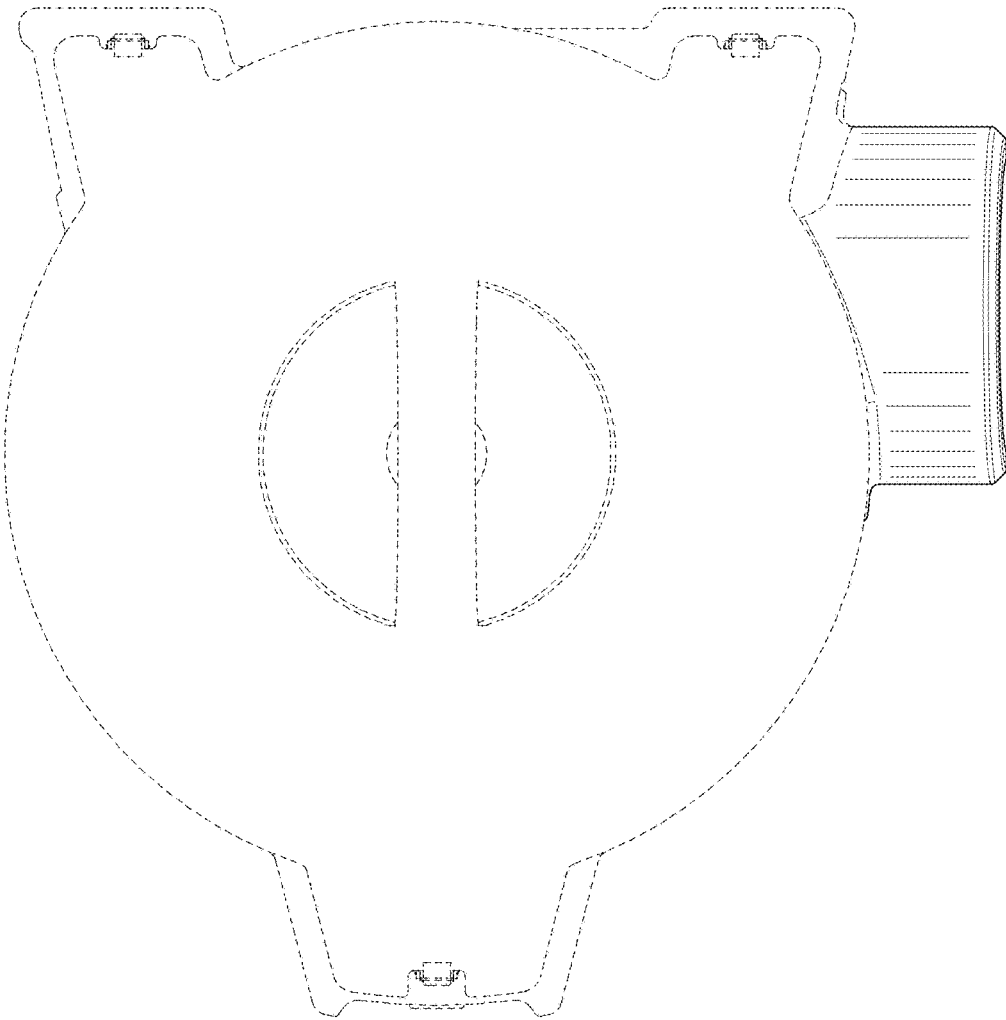


FIG. 10

