



US00D794331S

(12) **United States Design Patent**
Grote

(10) **Patent No.:** **US D794,331 S**

(45) **Date of Patent:** **** Aug. 15, 2017**

- (54) **ELECTRONIC DEVICE CASE**
- (71) Applicant: **Griffin Technology, LLC**, Irvine, CA (US)
- (72) Inventor: **Paul S. Grote**, Old Hickory, TN (US)
- (73) Assignee: **Griffin Technology, LLC**, Irvine, CA (US)
- (**) Term: **15 Years**
- (21) Appl. No.: **29/555,802**
- (22) Filed: **Feb. 25, 2016**
- (51) **LOC (10) Cl.** **03-01**
- (52) **U.S. Cl.**
USPC **D3/300**; D3/218
- (58) **Field of Classification Search**
USPC D3/215, 218-219, 300, 303, 227;
224/219, 221-222, 267, 269; 40/1.6, 633,
40/665; 206/305, 320; 455/575.1-575.8;
2/67
CPC A45C 13/42; A45C 2011/002; A45C
2011/003; A44B 18/0053; A45F 5/00;
A45F 5/02; A45F 2005/008; A45F
2200/0516
See application file for complete search history.

- 6,085,449 A * 7/2000 Tsui A45C 13/42
2/67
- D762,375 S * 8/2016 Duarte D3/218
- D773,804 S * 12/2016 Gonzalez D3/218
- D781,050 S * 3/2017 Abreu D3/218

* cited by examiner

Primary Examiner — Catheri Oliver-Garcia
(74) *Attorney, Agent, or Firm* — Manatt, Phelps & Phillips, LLP

(57) **CLAIM**

The ornamental design for an electronic device case, as shown and described.

DESCRIPTION

FIG. 1 is a front view of an electronic device case showing my new design in use;
FIG. 2 is a front view thereof showing my new design in use with an electronic device held in the case;
FIG. 3 is a front isometric view thereof;
FIG. 4 is a rear isometric view thereof;
FIG. 5 is a front view thereof;
FIG. 6 is a top view, with the bottom view being the same;
FIG. 7 is a left side view of the electronic device case, the right side view being a mirror image thereof; and,
FIG. 8 is a rear view thereof.

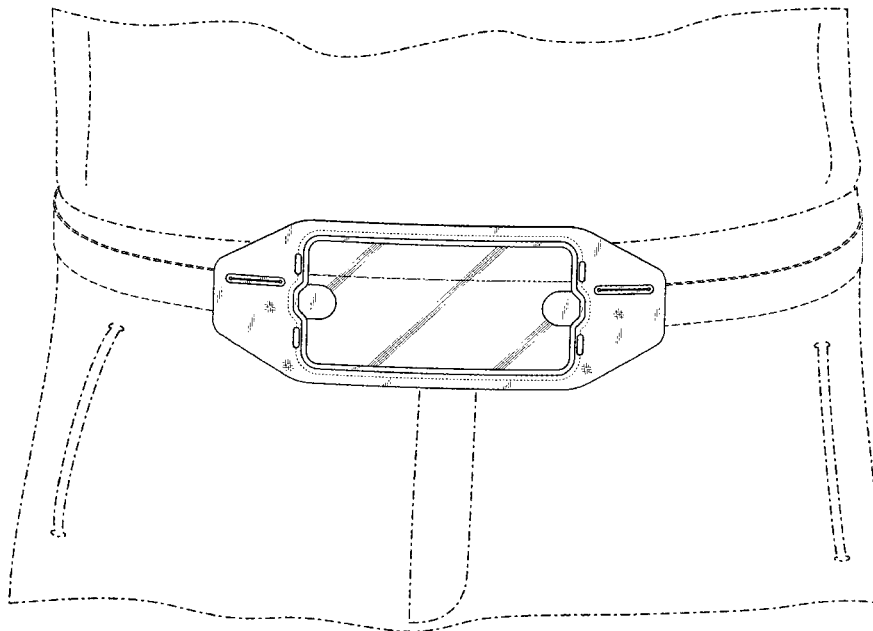
The broken lines in the drawing figures depict unclaimed subject matter only and form no part of the claimed design. The broken lines depict environmental structure that are included for the purpose of illustrating only and form no part of the claimed design.

(56) **References Cited**

U.S. PATENT DOCUMENTS

- 3,586,220 A * 6/1971 Reinsberg A44B 18/0053
224/221
- D318,570 S * 7/1991 Walasek D3/227

1 Claim, 6 Drawing Sheets



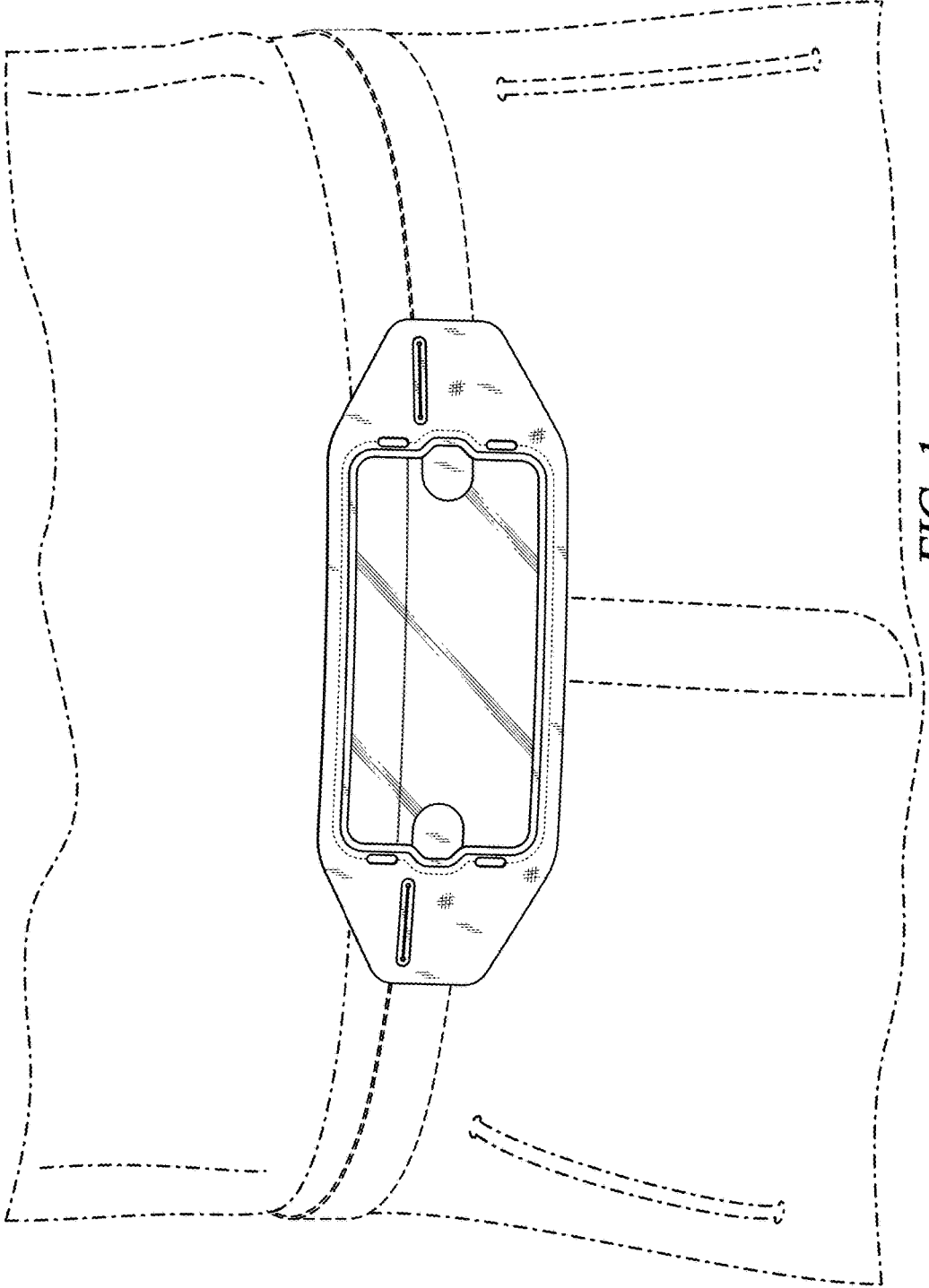


FIG. 1

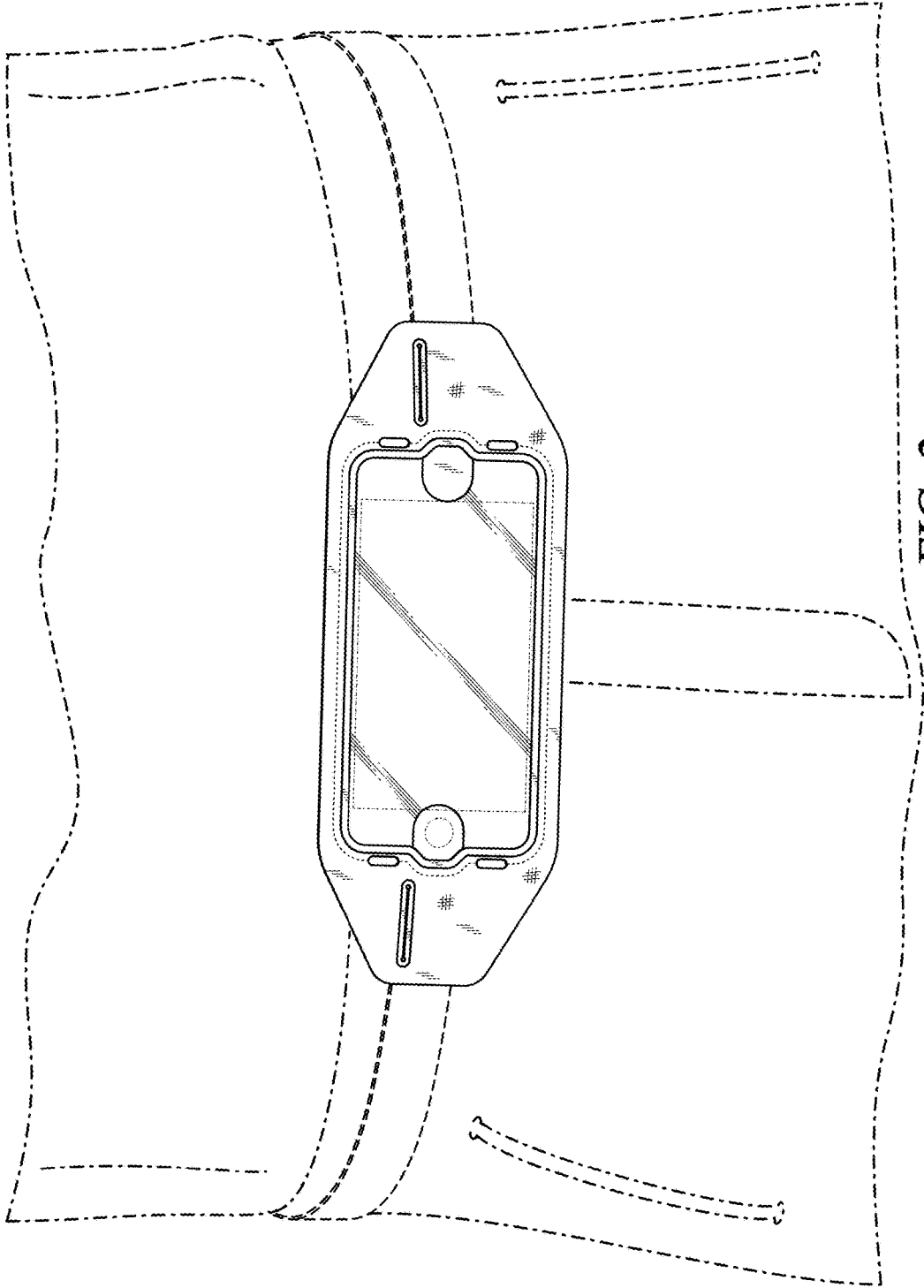


FIG. 2

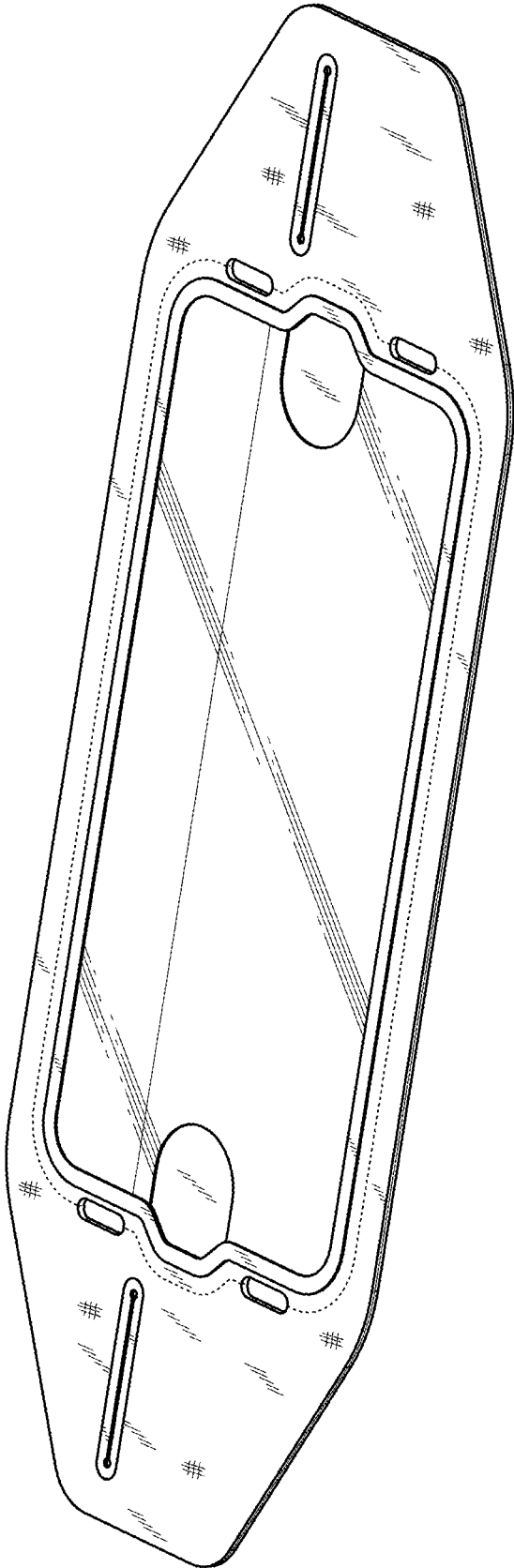


FIG. 3

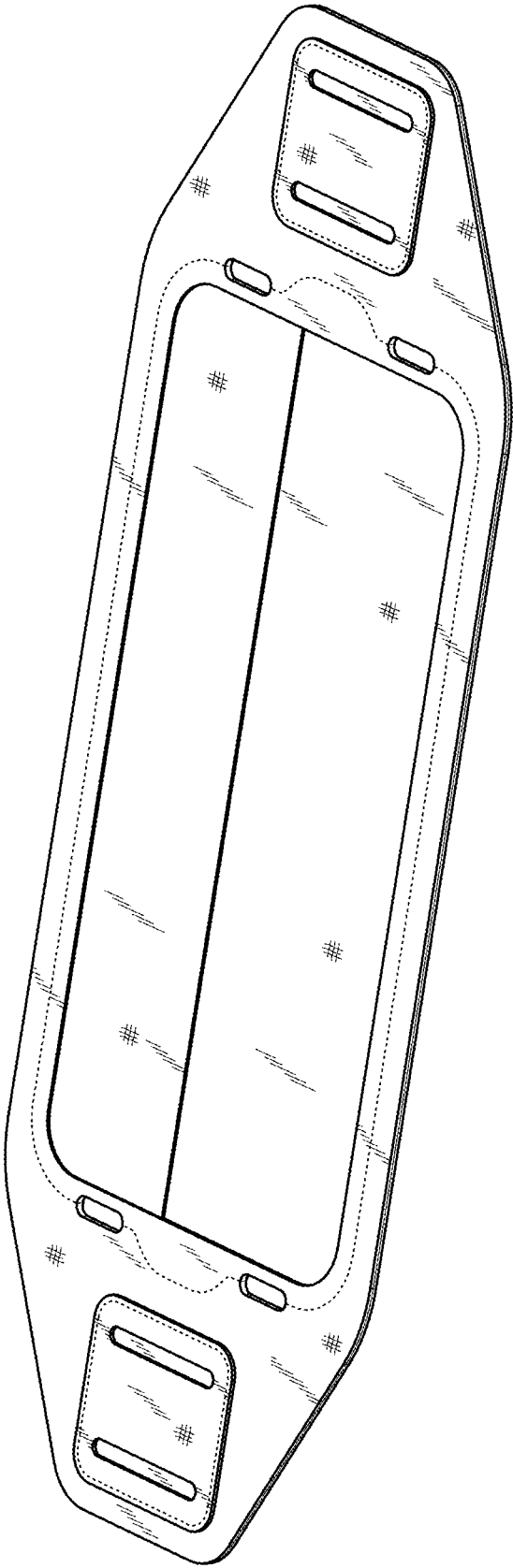


FIG. 4

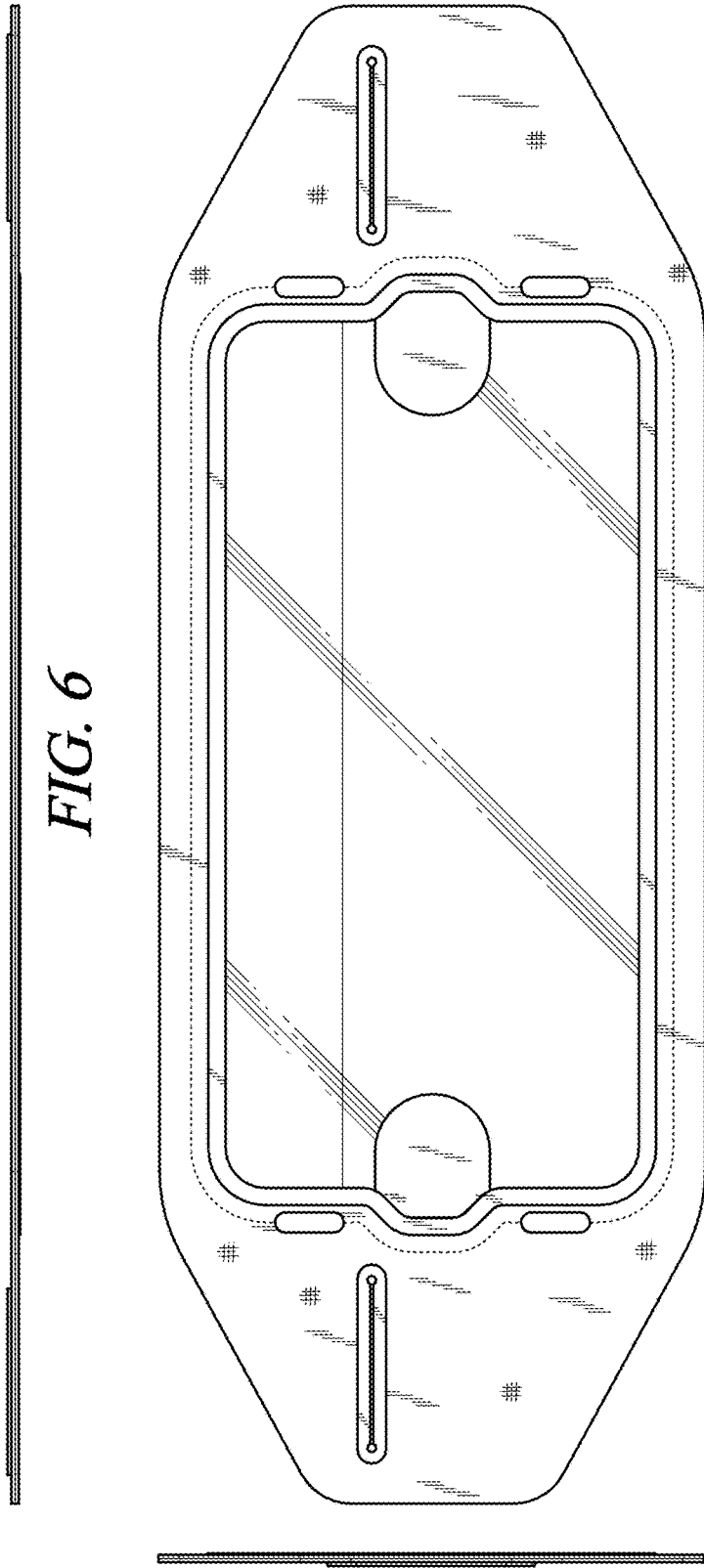


FIG. 6

FIG. 5

FIG. 7

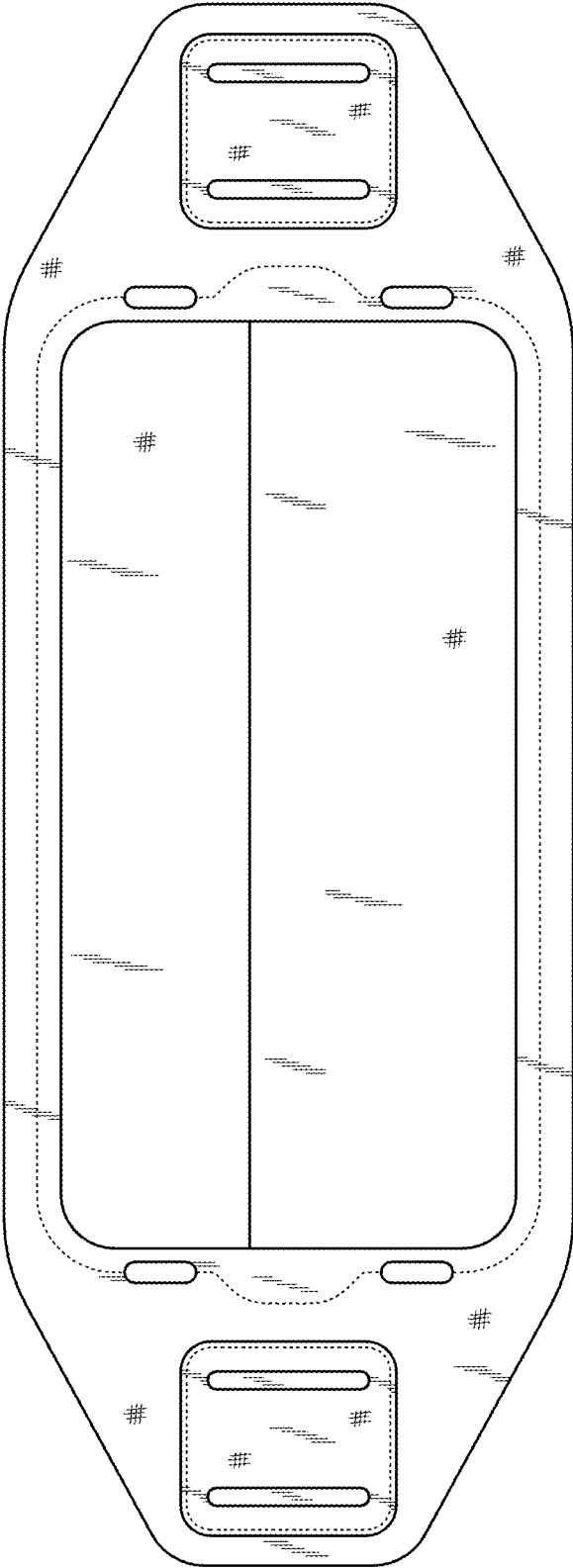


FIG. 8