



US00D660553S

(12) **United States Design Patent**
Farina et al.

(10) **Patent No.:** **US D660,553 S**

(45) **Date of Patent:** **** May 29, 2012**

(54) **GARMENT BOTTOM**

(75) Inventors: **Angela Farina**, Baltimore, MD (US);
Sarah Davis, North East, MD (US)

(73) Assignee: **Under Armour, Inc.**

(**) Term: **14 Years**

(21) Appl. No.: **29/406,907**

(22) Filed: **Nov. 21, 2011**

(51) **LOC (9) Cl.** **02-02**

(52) **U.S. Cl.** **D2/742**

(58) **Field of Classification Search** D2/712,
D2/731, 738, 742; 2/406, 227, 228, 234-238,
2/242

See application file for complete search history.

(56) **References Cited**

U.S. PATENT DOCUMENTS

| | | | | | | |
|--------------|----|---|---------|------------------|-------|--------|
| D514,774 | S | * | 2/2006 | Africa et al. | | D2/731 |
| D532,958 | S | * | 12/2006 | Kent | | D2/742 |
| D613,037 | S | * | 4/2010 | Iamartino et al. | | D2/742 |
| D613,928 | S | * | 4/2010 | Iamartino et al. | | D2/742 |
| D615,279 | S | * | 5/2010 | Savage | | D2/731 |
| D619,784 | S | * | 7/2010 | Kanada et al. | | D2/742 |
| D641,134 | S | * | 7/2011 | Zarabi | | D2/712 |
| D641,539 | S | * | 7/2011 | Zarabi | | D2/701 |
| D654,661 | S | * | 2/2012 | Savage | | D2/742 |
| 2008/0083055 | A1 | * | 4/2008 | Onda | | 2/455 |

OTHER PUBLICATIONS

Athleta Catalog, Runabout Pant, Item J, p. 37, Fall 2011, Petaluma, California.

Athleta Catalog, Organic Cotton Salamba Pant, p. 64, Fall 2011, Petaluma, California.

Athleta Catalog, Kickbooty Pant, p. 65, Fall 2011, Petaluma, California.

* cited by examiner

Primary Examiner — Rashida Johnson

(74) *Attorney, Agent, or Firm* — Wesley W. Muller; Rachel St. Peter

(57) **CLAIM**

The ornamental design for a garment bottom, as shown and described.

DESCRIPTION

FIG. 1 is a perspective view of a garment bottom according to the present invention;

FIG. 2 is a front view of the garment bottom of FIG. 1;

FIG. 3 is a rear view of the garment bottom of FIG. 1;

FIG. 4 is a left side view of the garment bottom of FIG. 1;

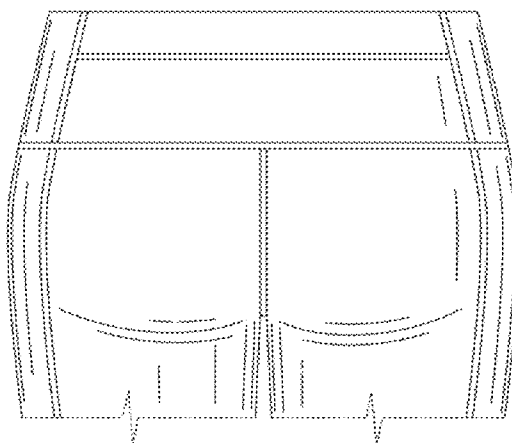
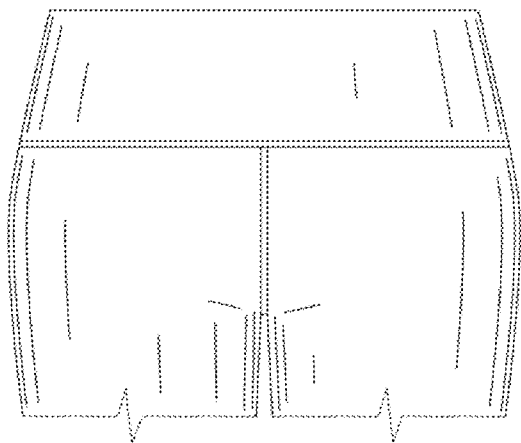
FIG. 5 is a right side view of the garment bottom of FIG. 1;

FIG. 6 is a top view of the garment bottom of FIG. 1; and,

FIG. 7 is a bottom view of the garment bottom of FIG. 1.

The broken lines in the figures merely illustrate the environment for the garment bottom of the present design and therefore form no part of the claimed design.

1 Claim, 7 Drawing Sheets



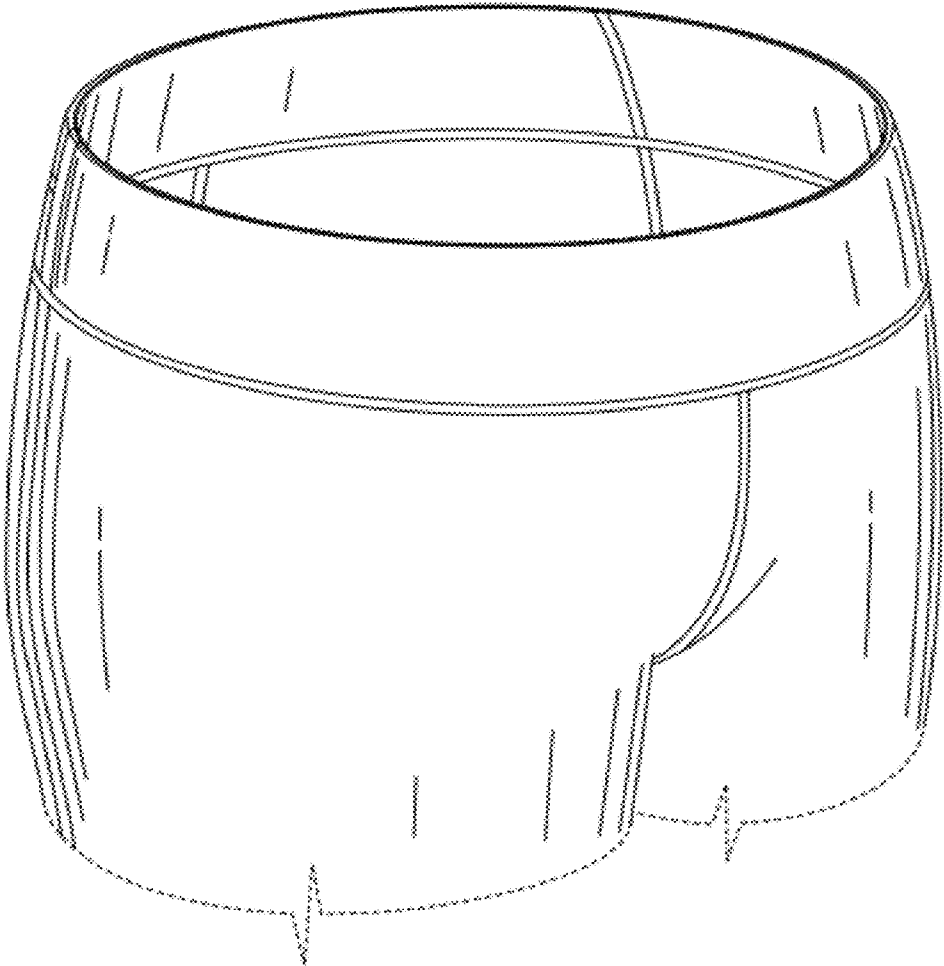


FIG. 1

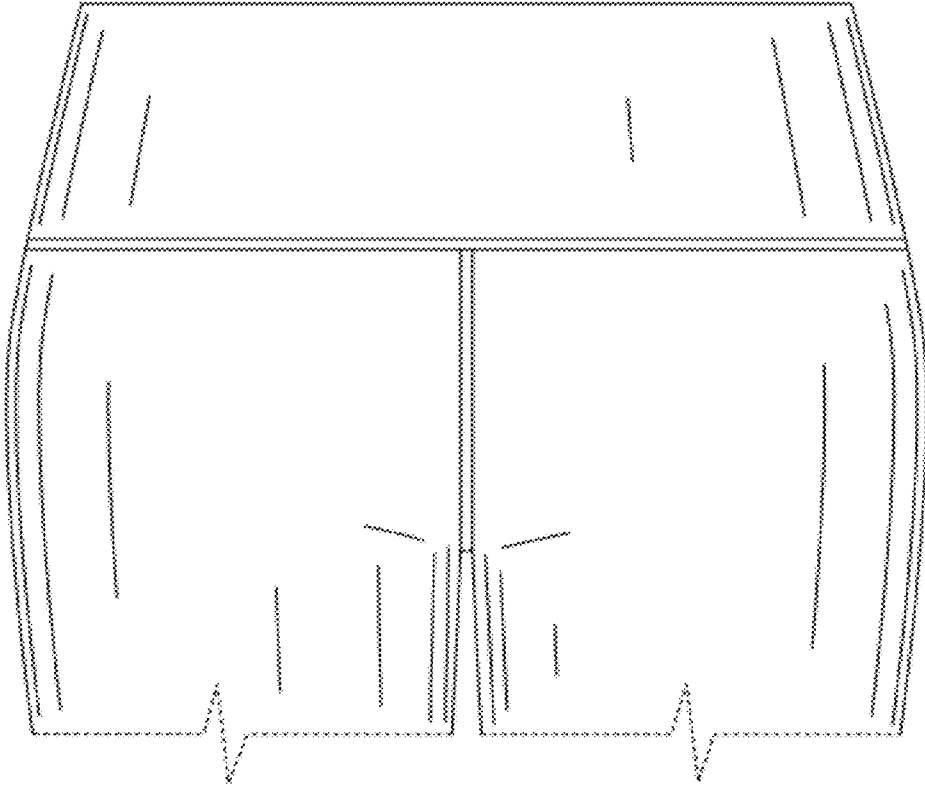


FIG. 2

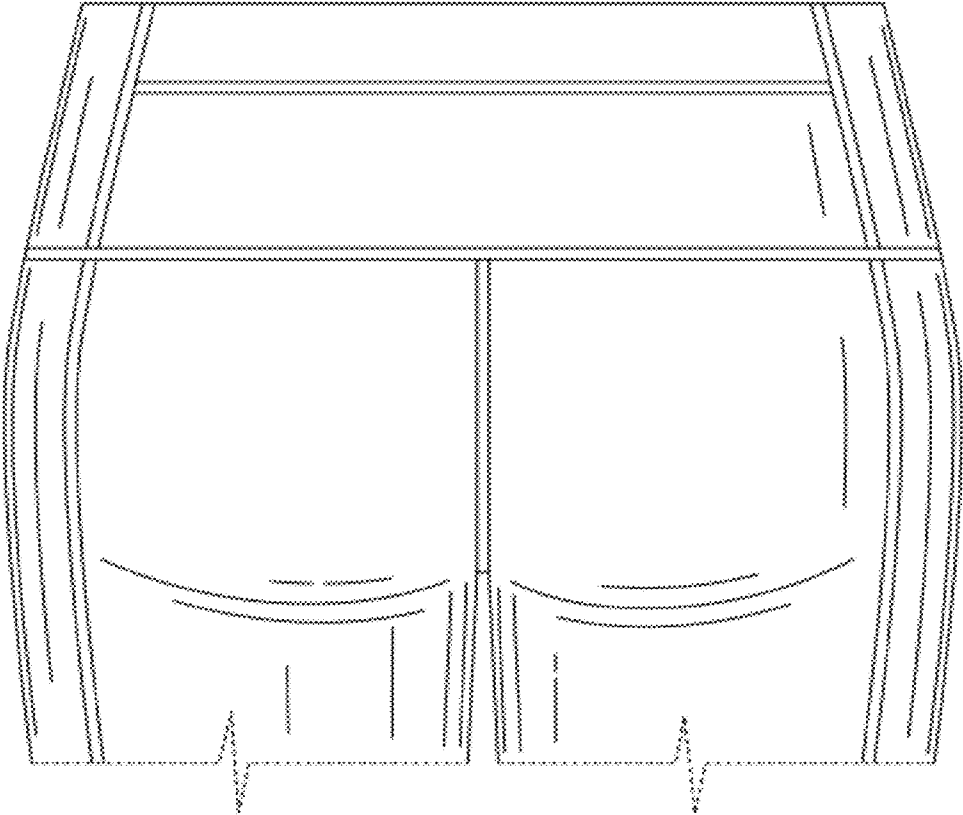


FIG. 3

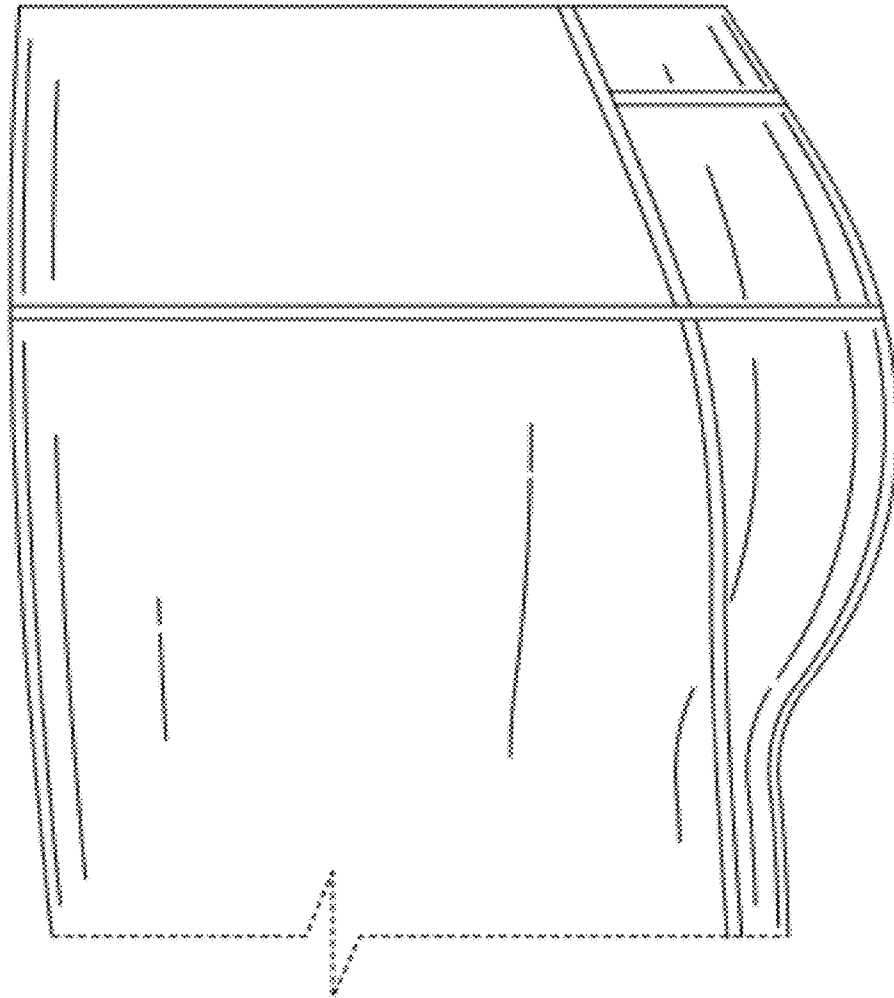


FIG. 4

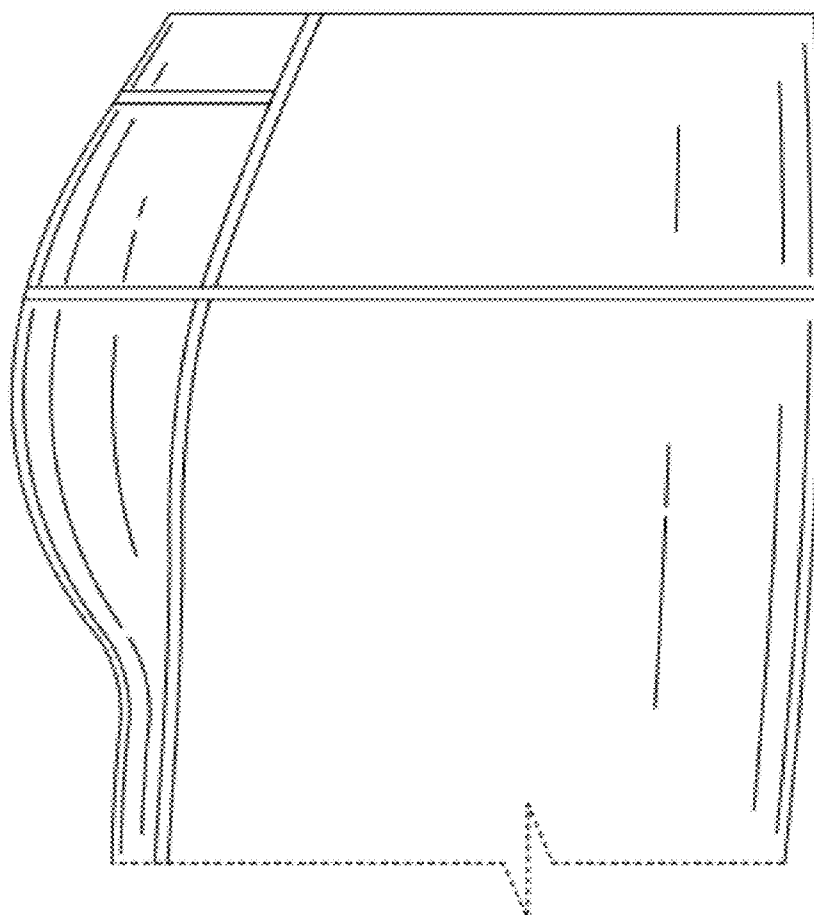


FIG. 5

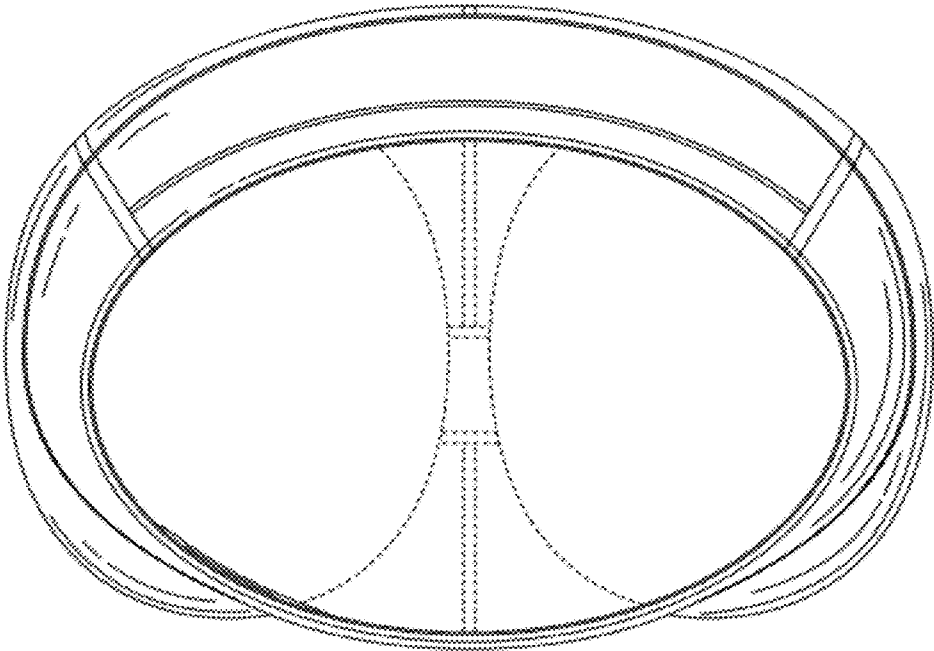


FIG. 6

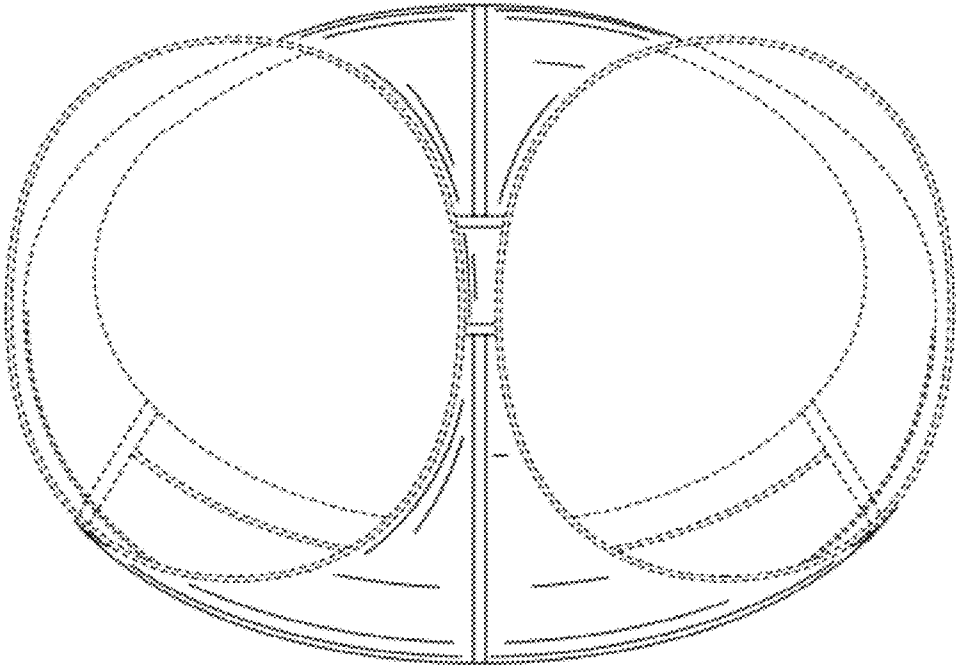


FIG. 7