



US00D658136S

(12) **United States Design Patent**
Weber et al.

(10) **Patent No.:** **US D658,136 S**

(45) **Date of Patent:** **** Apr. 24, 2012**

(54) **SWITCH**

(75) Inventors: **Ralf Weber**, Heilberg (DE); **Joachim Körner**, Sinsheim (DE); **Dirk Hauck**, Epfenbach (DE); **Gerhard Ziegler**, Lobbach (DE); **Klaus-Peter Eppe**, Waldbrunn (DE)

(73) Assignee: **ABB Stotz-Kontakt GmbH**, Heidelberg (DE)

(**) Term: **14 Years**

(21) Appl. No.: **29/386,204**

(22) Filed: **Feb. 25, 2011**

(30) **Foreign Application Priority Data**

Aug. 31, 2010 (EM) 001748815-0002

(51) **LOC (9) Cl.** **13-03**

(52) **U.S. Cl.** **D13/160**

(58) **Field of Classification Search** D13/158,
D13/159, 160, 161, 162, 184, 199; 200/43.14,
200/50.01, 50.21-50.23, 51 R, 293, 400,
200/401; 361/42, 44, 45, 50, 71, 115, 608,
361/634

See application file for complete search history.

(56) **References Cited**

U.S. PATENT DOCUMENTS

D246,851 S *	1/1978	Tarchalski et al.	D13/160
D550,630 S *	9/2007	Wang et al.	D13/160
2003/0107854 A1 *	6/2003	Mason et al.	361/42
2010/0020453 A1 *	1/2010	McCoy et al.	361/42
2010/0236908 A1 *	9/2010	Watford et al.	200/293

* cited by examiner

Primary Examiner — Thomas Johannes

(74) *Attorney, Agent, or Firm* — Buchanan Ingersoll & Rooney PC

(57) **CLAIM**

The ornamental design for a switch, as shown and described.

DESCRIPTION

FIG. 1 is a front, left side perspective view of a switch showing our new design.

FIG. 2 is a front elevational view thereof.

FIG. 3 is a rear elevational view thereof.

FIG. 4 is a top plan view thereof.

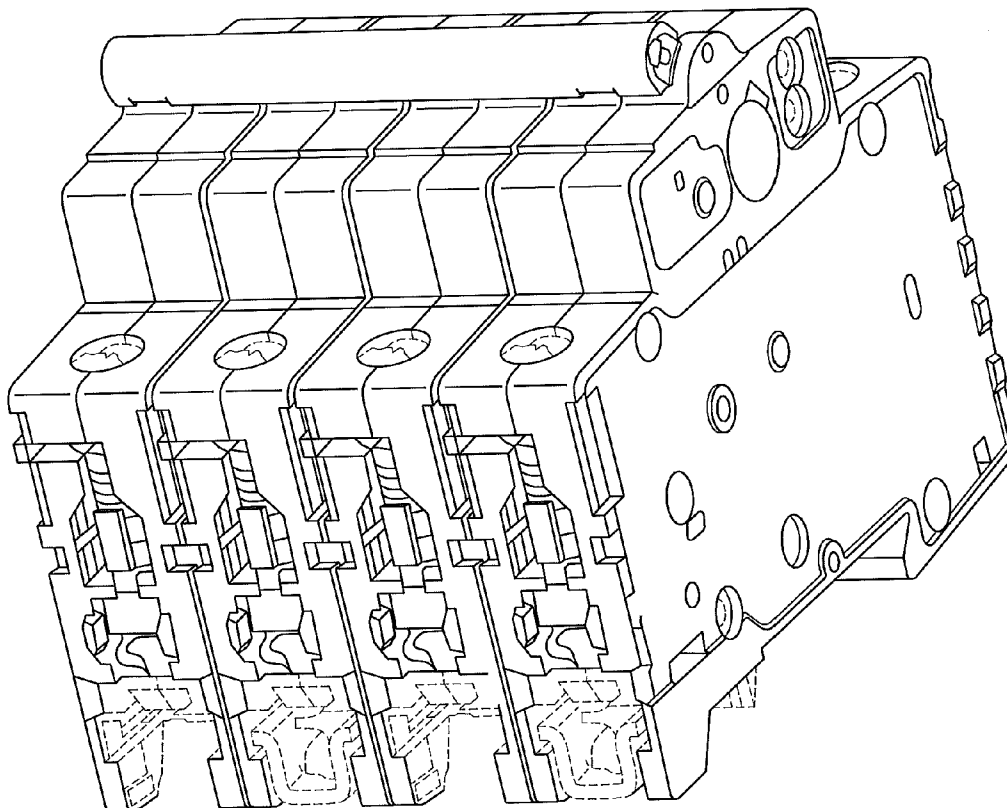
FIG. 5 is a bottom plan view thereof.

FIG. 6 is a left side elevational view thereof; and,

FIG. 7 is a right side elevational view thereof.

The broken line portion of the figure drawings is included to show unclaimed subject matter only and forms no part of the claimed design.

1 Claim, 7 Drawing Sheets



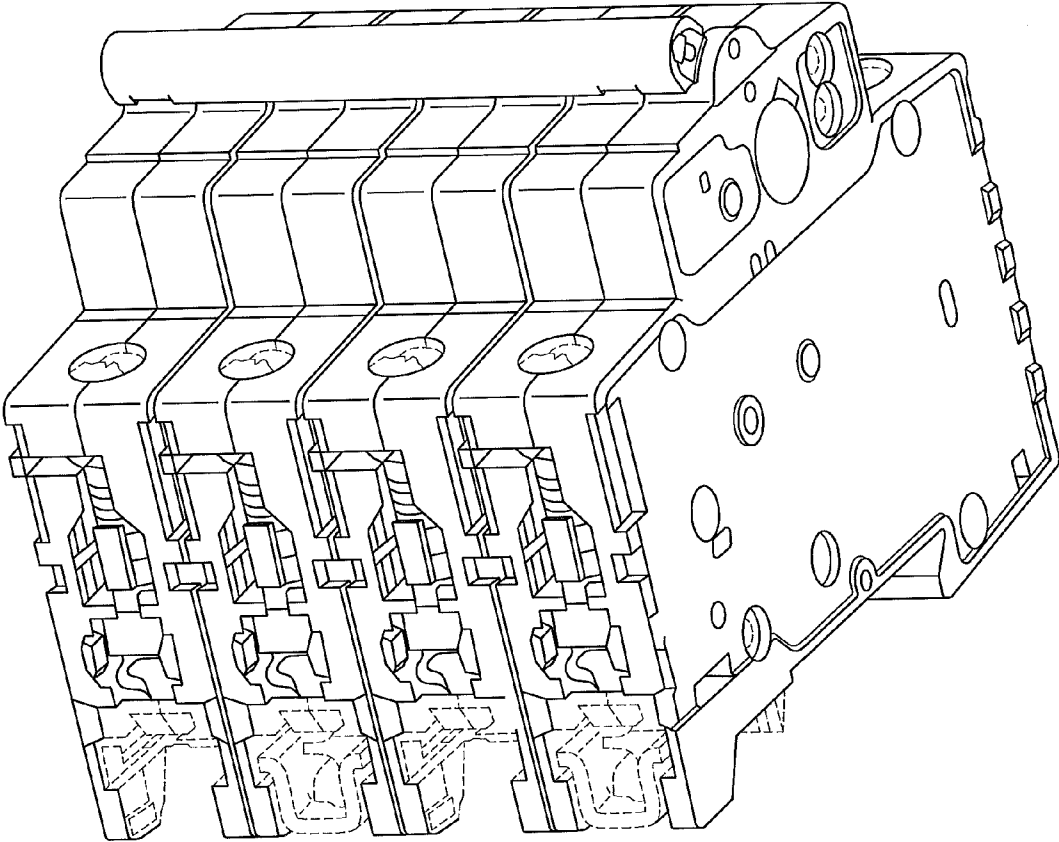


FIG. 1

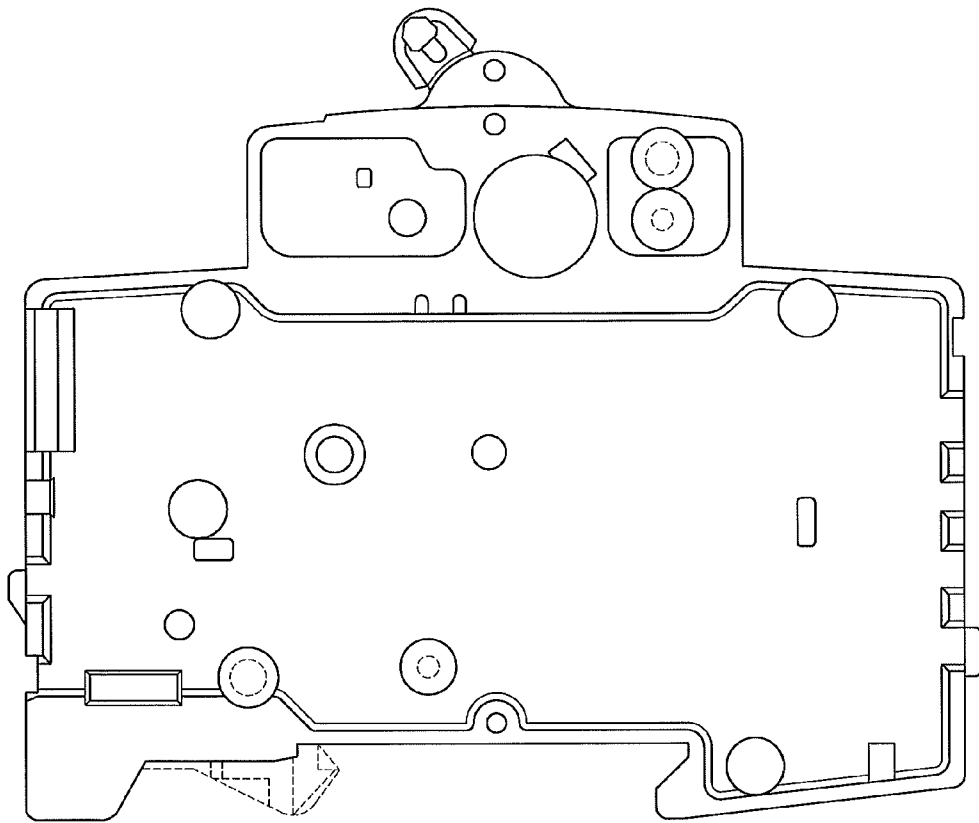


FIG. 2

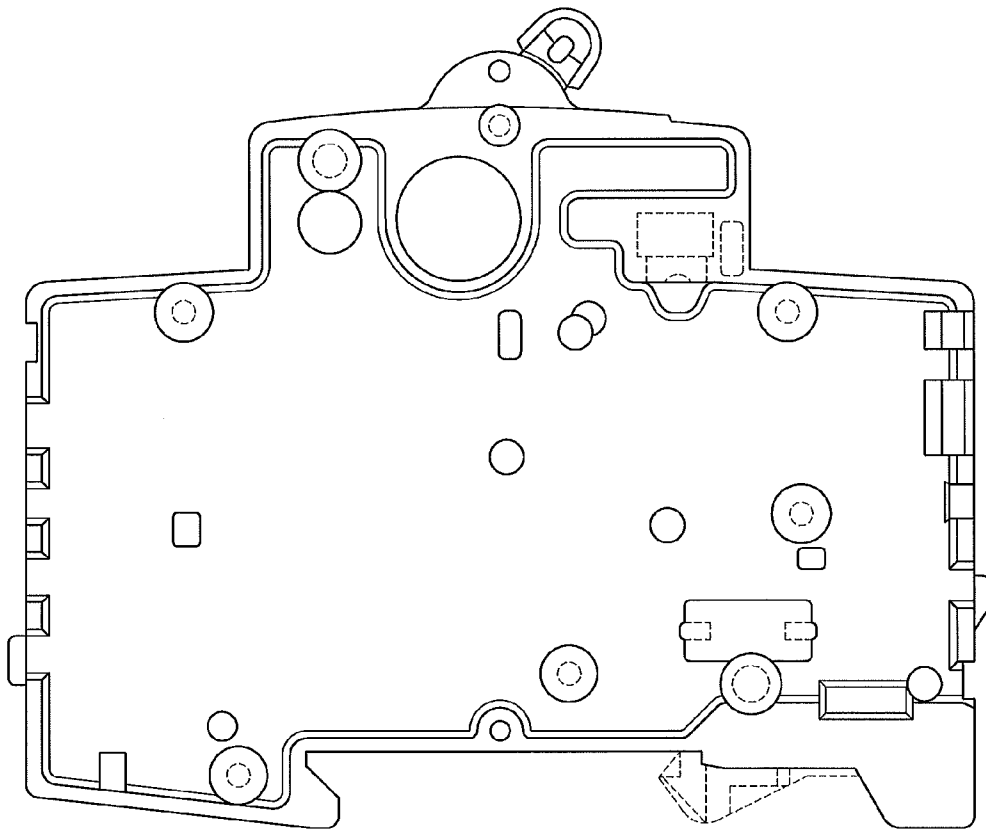


FIG. 3

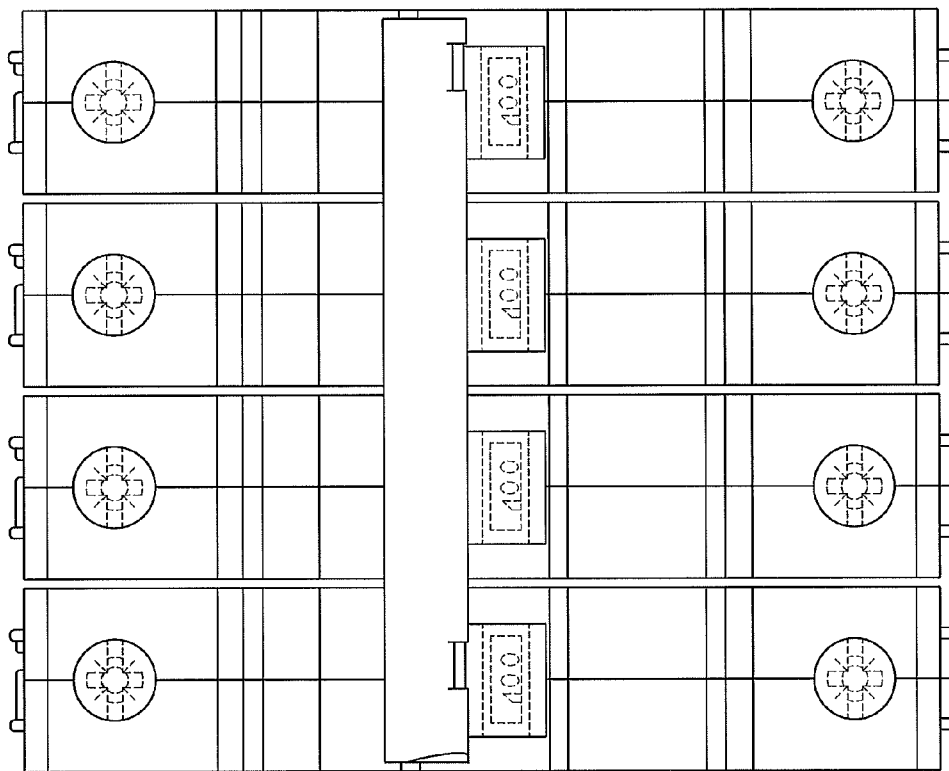


FIG. 4

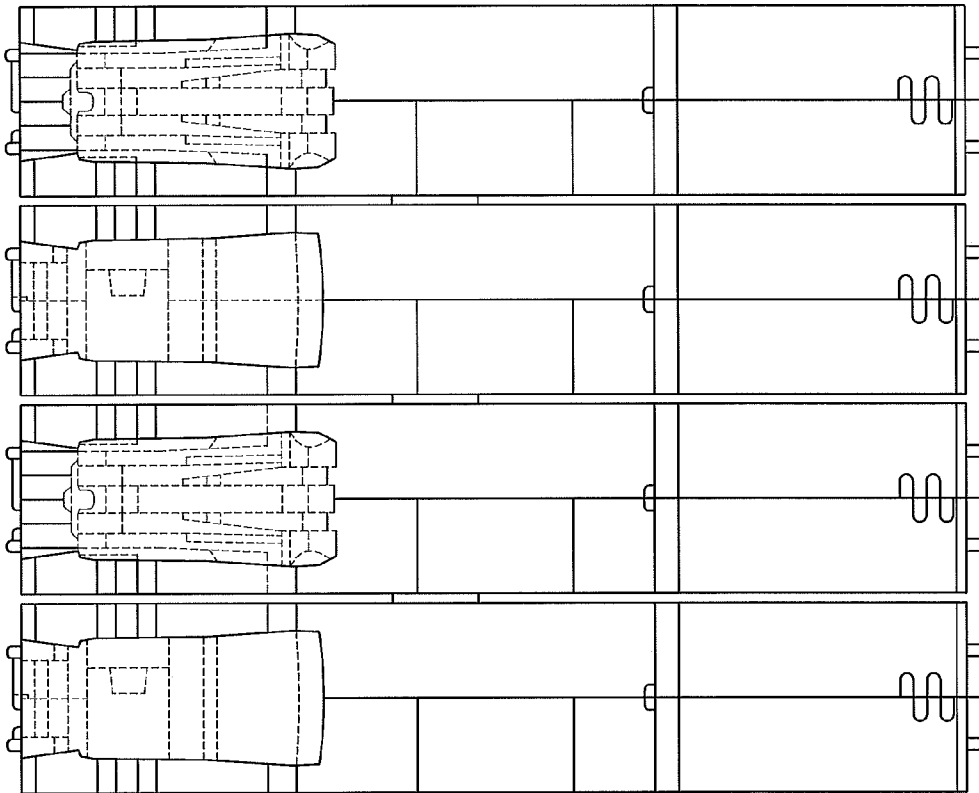


FIG. 5

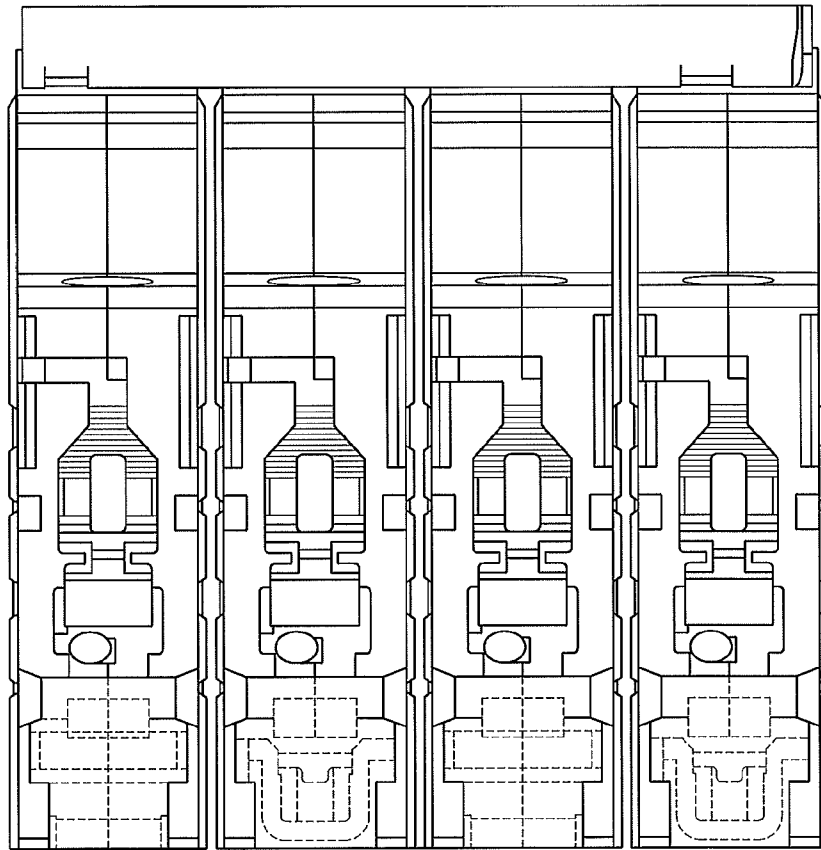


FIG. 6

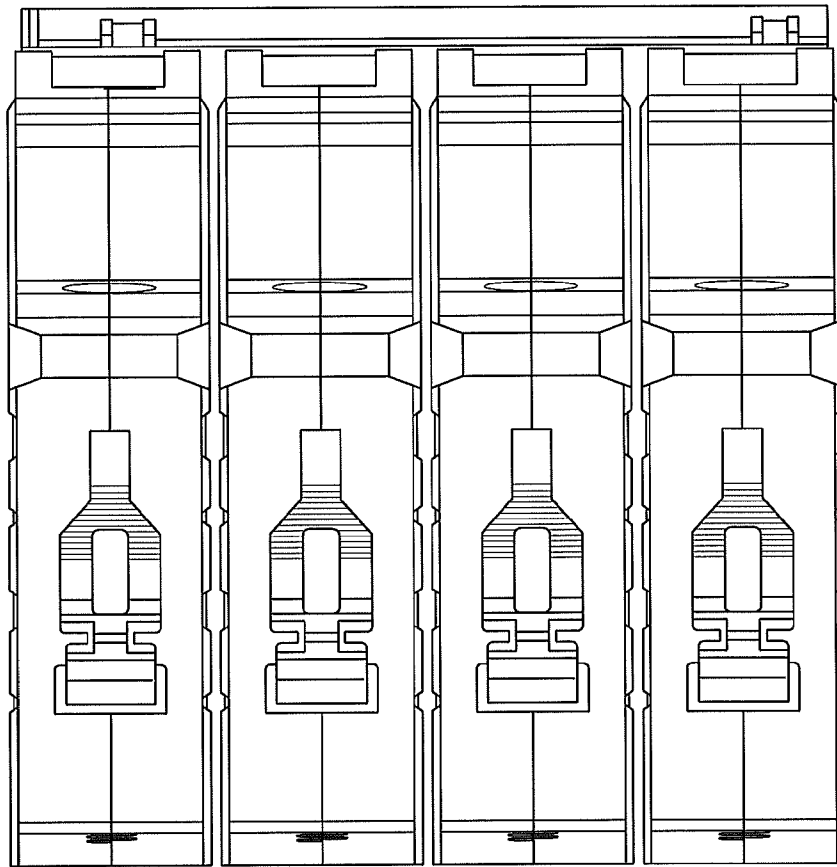


FIG. 7