



US00D409014S

# United States Patent [19]

[11] Patent Number: **Des. 409,014**

Natuzzi et al.

[45] Date of Patent: **\*\* May 4, 1999**

[54] SEAT

*Primary Examiner*—Gary D. Watson  
*Attorney, Agent, or Firm*—Bell Seltzer Intellectual Property Law Group of Alston & Bird LLP

[75] Inventors: **Pasquale Natuzzi; Arcangelo Scarati,**  
both of Santeramo In Colle, Italy

### [57] CLAIM

[73] Assignee: **Industrie Natuzzi Spa**

The ornamental design for a seat, as shown and described.

[\*\*] Term: **14 Years**

### DESCRIPTION

[21] Appl. No.: **29/084,505**

FIG. 1 is a front perspective view of a seat showing our new design in the form of a sofa;

[22] Filed: **Mar. 4, 1998**

FIG. 2 is a front elevational view thereof;

[51] **LOC (6) Cl.** ..... **06-01**

FIG. 3 is a top plan view thereof;

[52] **U.S. Cl.** ..... **D6/381; D6/334**

FIG. 4 is a right side elevational view, the left side being a mirror image thereof;

[58] **Field of Search** ..... **D6/334, 335, 336,**  
**D6/364, 371, 373, 381, 500, 501, 502;**  
**297/232, 445.1, 446.1**

FIG. 5 is a rear perspective view thereof;

### [56] References Cited

FIG. 6 is a front elevational view of a seat showing our new design in the form of a loveseat; and,

#### U.S. PATENT DOCUMENTS

- D. 372,808 8/1996 Natuzzi et al. .... D6/381
- D. 390,033 2/1998 Natuzzi et al. .... D6/381
- D. 393,758 4/1998 Natuzzi et al. .... D6/381

FIG. 7 is a front elevational view of a seat showing our new design in the form of a chair.

#### OTHER PUBLICATIONS

Natuzzi Model 1586, International Home Furnishings Market, High Point, NC, Apr. 1997.

The broken lines shown herein are for illustrative purposes only and form no part of the claimed design.

Natuzzi Model Orione, at least as early as Oct. 1984, at International Home Furnishings Market in High Point, North Carolina.

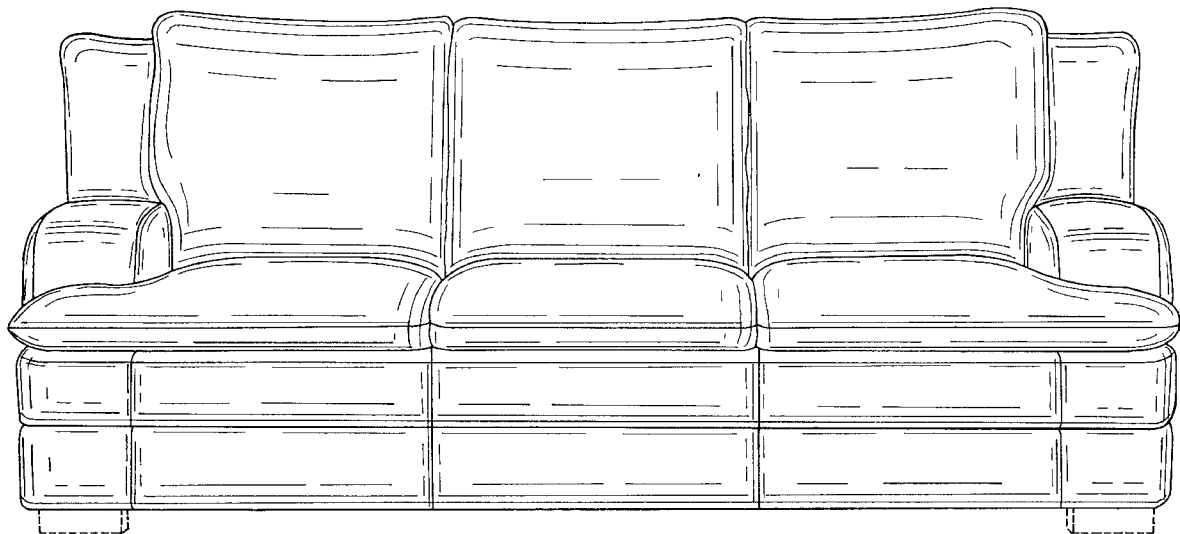
The rear views of FIGS. 6 and 7 are like FIG. 5, the difference being a matter of length.

The end views of FIGS. 6 and 7 are like that shown in FIG. 4.

FIGS. 1 and 5 have been shown on an enlarged scale with respect to the other views.

(List continued on next page.)

**1 Claim, 3 Drawing Sheets**



OTHER PUBLICATIONS

Natuzzi Model Vesuvio, at least as early as Oct. 1987, at International Home Furnishings Market in High Point, North Carolina.

Natuzzi Model 138, at least as early as Oct. 1986, at International Home Furnishings Market in High Point, North Carolina.

Natuzzi Model 178, Apr. 1987, at International Home Furnishings Market in High Point, North Carolina.

Natuzzi Model 183, Apr. 1987, at International Home Furnishings Market in High Point, North Carolina.

Natuzzi Model 410, Oct. 1987, at International Home Furnishings Market in High Point, North Carolina.

Natuzzi Model 419, Oct. 1987, at International Home Furnishings Market in High Point, North Carolina.

Natuzzi Model 638/639, Apr. 1989, at International Home Furnishings Market in High Point, North Carolina.

Natuzzi Model 720, Oct. 1989, at International Home Furnishings Market in High Point, North Carolina.

Natuzzi Model 759, Apr. 1990, at International Home Furnishings Market in High Point, North Carolina.

Natuzzi Model 780, Oct. 1990, at International Home Furnishings Market in High Point, North Carolina.

Natuzzi Model 783, Oct. 1990, at International Home Furnishings Market in High Point, North Carolina.

Natuzzi Model 839, Apr. 1991, at International Home Furnishings Market in High Point, North Carolina.

Natuzzi Model 867, Oct. 1991, at International Home Furnishings Market in High Point, North Carolina.

Natuzzi Model 1061, Apr. 1993, at International Home Furnishings Market in High Point, North Carolina.

Natuzzi Model 1068, Oct. 1993, at International Home Furnishings Market in High Point, North Carolina.

Natuzzi Model 1079, Oct. 1993, at International Home Furnishings Market in High Point, North Carolina.

Natuzzi Model 1203, Oct. 1994, at International Home Furnishings Market in High Point, North Carolina.

Natuzzi Model 1243, Oct. 1994, at International Home Furnishings Market in High Point, North Carolina.

Natuzzi Model 1253, Oct. 1994, at International Home Furnishings Market in High Point, North Carolina.

Natuzzi Model 1267, Mar. 1995, at International Home Furnishings Market in High Point, North Carolina.

Natuzzi Model 1268, Mar. 1995, at International Home Furnishings Market in High Point, North Carolina.

Natuzzi Model 1309, Apr. 1995, at International Home Furnishings Market in High Point, North Carolina.

Natuzzi Model 1319, Apr. 1995, at International Home Furnishings Market in High Point, North Carolina.

Natuzzi Model 1439, Mar. 1996, at International Home Furnishings Market in High Point, North Carolina.

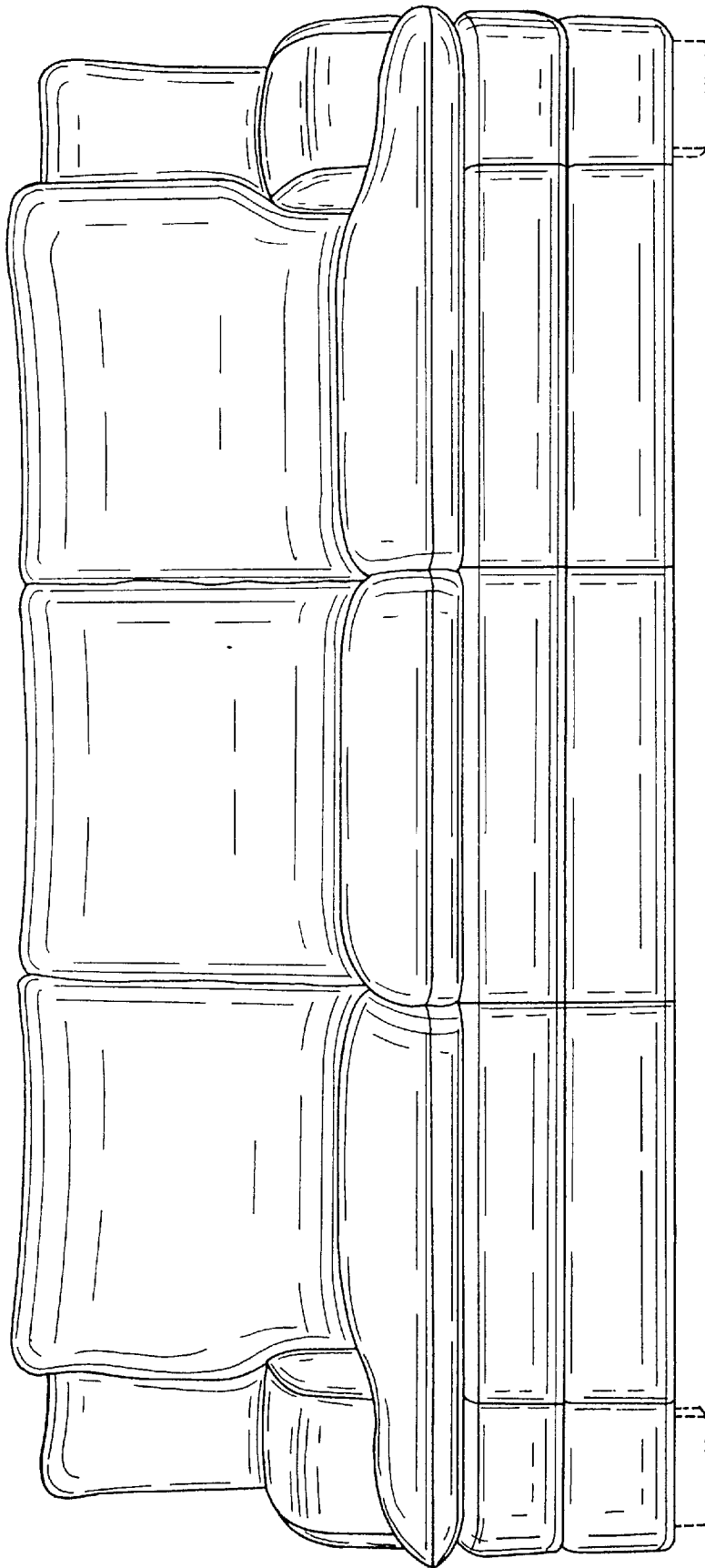


FIG. 1.



FIG. 2.

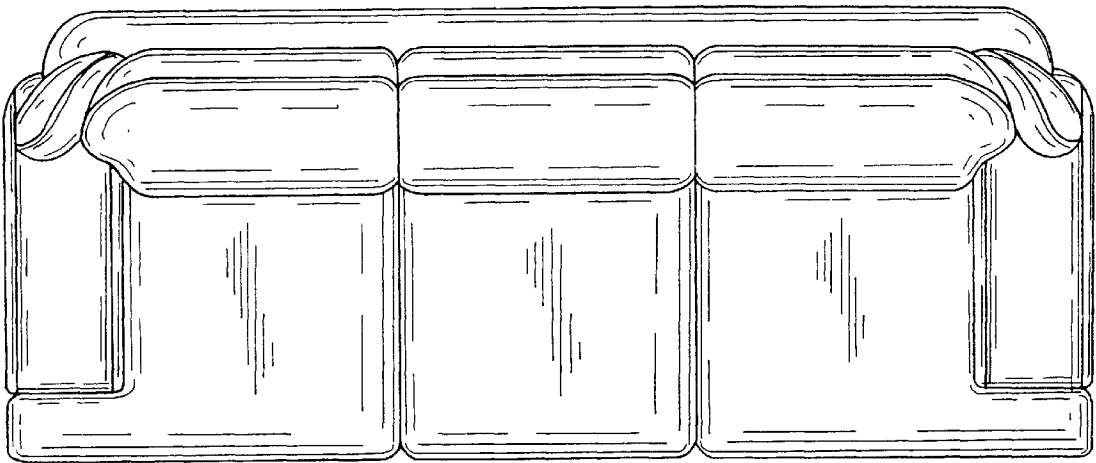


FIG. 3.

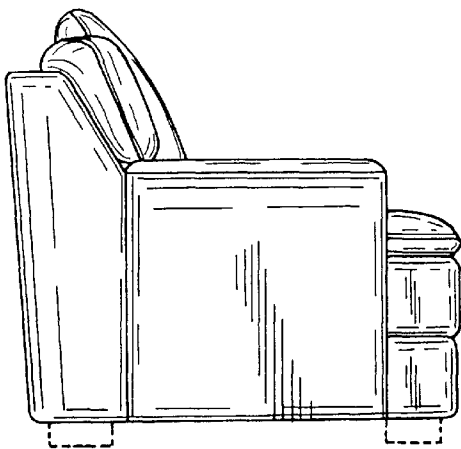


FIG. 4.

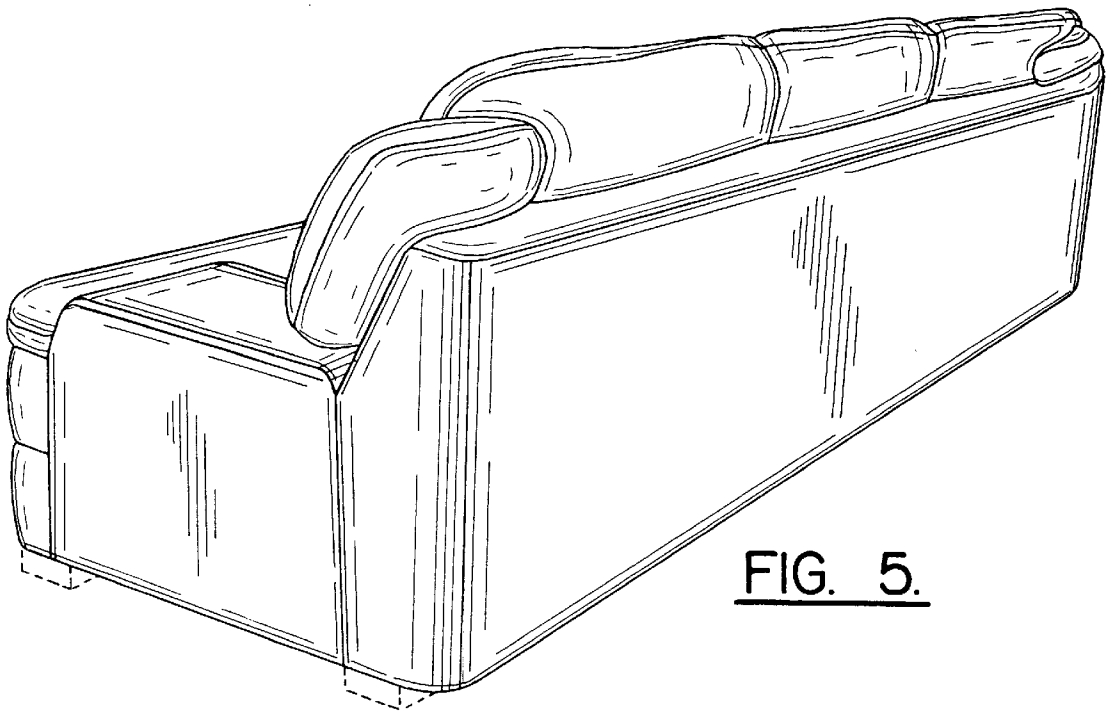


FIG. 5.

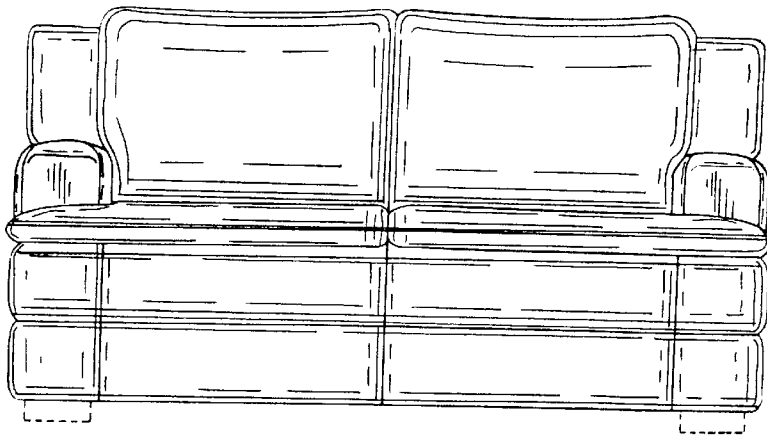


FIG. 6.

FIG. 7.

