



US00D637016S

(12) **United States Design Patent**  
**Pohl**

(10) **Patent No.:** **US D637,016 S**

(45) **Date of Patent:** **\*\* \*May 3, 2011**

(54) **DISPLAY STAND**

(75) Inventor: **Axel Pohl**, Berlin (DE)

(73) Assignee: **Hartley & Marks Publishers, Inc.**,  
Vancouver, BC (CA)

(\* ) Notice: This patent is subject to a terminal disclaimer.

(\*\*) Term: **14 Years**

(21) Appl. No.: **29/365,558**

(22) Filed: **Jul. 9, 2010**

(51) **LOC (9) Cl.** ..... **06-04**

(52) **U.S. Cl.** ..... **D6/468**

(58) **Field of Classification Search** ..... D6/396,  
D6/407, 449, 450, 454-463, 470, 471, 473,  
D6/474, 566; 108/28, 31, 32; 211/1, 13.1,  
211/41.1, 50, 86.01, 134, 153, 195; 248/441.1,  
248/459

See application file for complete search history.

(56) **References Cited**

**U.S. PATENT DOCUMENTS**

201,450 A	3/1878	Reynolds
D11,686 S	3/1880	Balnbaridge
273,886 A	3/1883	Pester
467,621 A	1/1892	Mets
560,034 A	5/1896	Honey
673,387 A	5/1901	Dean
941,525 A	11/1909	Landenberger
1,023,834 A	4/1912	Garels
1,322,796 A	11/1919	Kissel
1,592,506 A	7/1926	Richie
1,819,937 A	8/1931	Williams
1,839,758 A	1/1932	Hasek
1,979,475 A	11/1934	Kneltles
D118,491 S	1/1940	Bach
2,287,149 A	6/1942	Tauber
D135,980 S	7/1943	Bach
D135,981 S	7/1943	Bach

2,354,782 A	8/1944	Stradling et al.	
D187,321 S	2/1950	Mayer	
2,529,000 A	11/1950	Cameron	
2,533,590 A	12/1950	Kutik	
D165,194 S	* 11/1951	Schiffer	D6/473
2,789,700 A	* 4/1957	King et al.	108/32
D182,059 S	2/1958	Chase	
2,964,227 A	12/1960	Goldsholl	
3,010,571 A	11/1961	Transport	
3,380,644 A	4/1968	D'Alesio	
3,537,728 A	11/1970	Reese	
3,717,366 A	2/1973	Decker	
3,964,769 A	6/1976	Shatzkin	
3,973,787 A	8/1976	Shaats et al.	
4,019,758 A	4/1977	Heller et al.	
D250,171 S	11/1978	Yoshimoto	
4,289,330 A	9/1981	Wiermanski	
4,296,945 A	10/1981	Pavlik	

(Continued)

**OTHER PUBLICATIONS**

U.S. Appl. No. 29/253,057, filed Jan. 31, 2006, Bharna, Supriti.

(Continued)

*Primary Examiner* — Mary Ann Calabrese

(74) *Attorney, Agent, or Firm* — Wells St. John PS

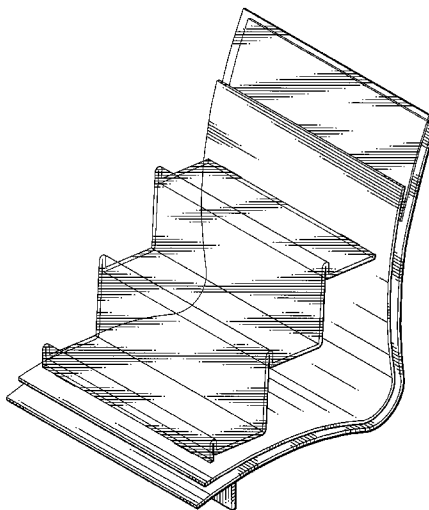
(57) **CLAIM**

I claim the ornamental design for a display stand, as shown and described.

**DESCRIPTION**

FIG. 1 is a perspective view for a display stand;  
FIG. 2 is a side elevational view thereof;  
FIG. 3 is a side elevational view, opposite the FIG. 2 side view, thereof;  
FIG. 4 is a front elevational view thereof;  
FIG. 5 is a rear elevational view thereof;  
FIG. 6 is a top plan view thereof; and,  
FIG. 7 is a bottom plan view thereof.

**1 Claim, 7 Drawing Sheets**



U.S. PATENT DOCUMENTS

4,484,768 A	11/1984	Norfleet		D465,331 S	11/2002	Shapiro	
4,606,689 A	8/1986	Wilholm		D467,079 S	12/2002	Willows et al.	
4,637,631 A	1/1987	Baer		D467,966 S	12/2002	Lepisto	
4,650,216 A	3/1987	Carlson		D470,173 S	2/2003	Berger	
4,730,972 A	3/1988	Sun et al.		6,514,028 B2	2/2003	Yeoman	
4,749,121 A	6/1988	Barber et al.		D473,462 S	4/2003	Green et al.	
D300,688 S *	4/1989	Marks		D474,966 S	5/2003	Schrem et al.	
D302,698 S *	8/1989	Rexroat et al.		D476,032 S	6/2003	Marchland	
D304,343 S *	10/1989	Popat et al.		D477,634 S	7/2003	Malome	
D308,225 S *	5/1990	Dressler		D481,074 S	10/2003	Shapiro et al.	
4,932,520 A	6/1990	Ciarcia et al.		6,681,929 B2	1/2004	Bergh et al.	
D309,325 S *	7/1990	Halls		D489,255 S	5/2004	Kratzert et al.	
4,940,352 A	7/1990	Kratzert et al.		6,776,437 B1	8/2004	Ho	
D316,108 S *	4/1991	Gerriet		D496,195 S *	9/2004	Campbell et al. ....	D6/471
D323,937 S *	2/1992	Solomon		D496,271 S	9/2004	Hoeltgen	
5,106,047 A *	4/1992	Baer .....	248/459	D499,761 S	12/2004	Walley et al.	
D330,115 S *	10/1992	O'Brien		D502,502 S	3/2005	Brann	
5,213,368 A	5/1993	Wyant		D503,195 S	3/2005	de la Rosa Luna Parra	
D340,355 S *	10/1993	Little		D504,463 S	4/2005	Wehmeyer	
5,308,208 A	5/1994	Ranson		D513,038 S	12/2005	Ong	
5,358,208 A *	10/1994	Moseley et al. ....	248/441.1	6,974,158 B1	12/2005	Westcott, Jr.	
D356,454 S *	3/1995	Harris .....	D6/407	D513,584 S	1/2006	Solowiejko	
D358,839 S *	5/1995	Lipic		D513,869 S	1/2006	Hunter et al.	
5,411,145 A *	5/1995	Parks .....	211/50	D519,832 S	5/2006	Demathieu et al.	
5,413,430 A	5/1995	Schrem et al.		D520,057 S	5/2006	Hamel	
D369,182 S *	4/1996	Walli, Jr.		D521,072 S	5/2006	Hough et al.	
D369,239 S *	4/1996	Deutch		D523,078 S	6/2006	Ong	
D370,691 S *	6/1996	Benn		D524,574 S *	7/2006	Benson .....	D6/470
5,529,418 A	6/1996	Alotta		7,100,765 B2	9/2006	Collins, IV	
5,553,959 A	9/1996	Feldman et al.		D529,963 S	10/2006	Hough et al.	
D378,531 S *	3/1997	Szikszay		D534,584 S	1/2007	Goldberg et al.	
5,630,509 A	5/1997	Su		D536,376 S	2/2007	Wehmeyer	
D379,896 S *	6/1997	Friedman		D544,030 S	6/2007	LaDue	
5,667,064 A	9/1997	Bauman		D544,538 S	6/2007	Kesselring	
D385,295 S *	10/1997	Oslecki		D545,362 S	6/2007	King et al.	
D388,822 S *	1/1998	Frank		7,232,157 B2	6/2007	Amaral	
5,716,181 A	2/1998	Ebel		D546,878 S	7/2007	Bharma	
D394,385 S *	5/1998	Laughlin		D547,372 S	7/2007	Bharma	
5,810,182 A *	9/1998	Levin .....	211/195	D547,373 S	7/2007	Serrato	
5,934,487 A *	8/1999	Hoeg .....	211/50	D548,961 S	8/2007	Dohner	
5,944,353 A	8/1999	Sato		D549,283 S	8/2007	Bharma	
D413,725 S *	9/1999	Hartmann et al.		7,252,452 B2	8/2007	Africa et al.	
6,017,062 A	1/2000	White		D550,770 S	9/2007	Bharma	
D423,572 S *	4/2000	Tedaldi et al.		D557,739 S	12/2007	Bharma	
6,045,285 A	4/2000	Friedman		D557,740 S	12/2007	Bharma	
D426,262 S	6/2000	Humphrey		2003/0071454 A1	4/2003	Muchin et al.	
6,095,740 A	8/2000	Hollenstein et al.		2004/0035720 A1	2/2004	Hsieh	
6,164,461 A *	12/2000	Ward et al. ....	211/41.1	2004/0129198 A1	7/2004	Wu	
D436,533 S	1/2001	Correll		2004/0168938 A1	9/2004	Bergh et al.	
6,179,332 B1	1/2001	Funkhouser		2004/0253046 A1	12/2004	Africa et al.	
D437,612 S	2/2001	Verdicchio		2005/0012016 A1	1/2005	Teucher	
6,220,436 B1	4/2001	Chung		2005/0042021 A1	2/2005	McArthur	
6,250,867 B1	6/2001	Gwyn et al.		2005/0269233 A1	12/2005	Alderidge	
D444,703 S	7/2001	Allasia					
D447,689 S	9/2001	Navet et al.					
D449,927 S	11/2001	Dorizas					
D454,305 S	3/2002	Bryan et al.					
D454,495 S	3/2002	Bryan et al.					
D455,781 S	4/2002	Jobelius et al.					
6,409,447 B2	6/2002	Malmros					
6,419,416 B1	7/2002	Tomoda					
D463,487 S	9/2002	Savoy					

OTHER PUBLICATIONS

U.S. Appl. No. 29/253,103, filed Jan. 31, 2006, Bharma, Supriti.  
 U.S. Appl. No. 29/253,105, filed Jan. 31, 2006, Bharma, Supriti.  
 U.S. Appl. No. 29/263,252, filed Jul. 18, 2006, Bharma, Supriti.  
 U.S. Appl. No. 29/264,146, filed Aug. 2, 2006, Bharma, Supriti.  
 U.S. Appl. No. 29/266,789, filed Sep. 27, 2006, Bharma, Supriti.

\* cited by examiner

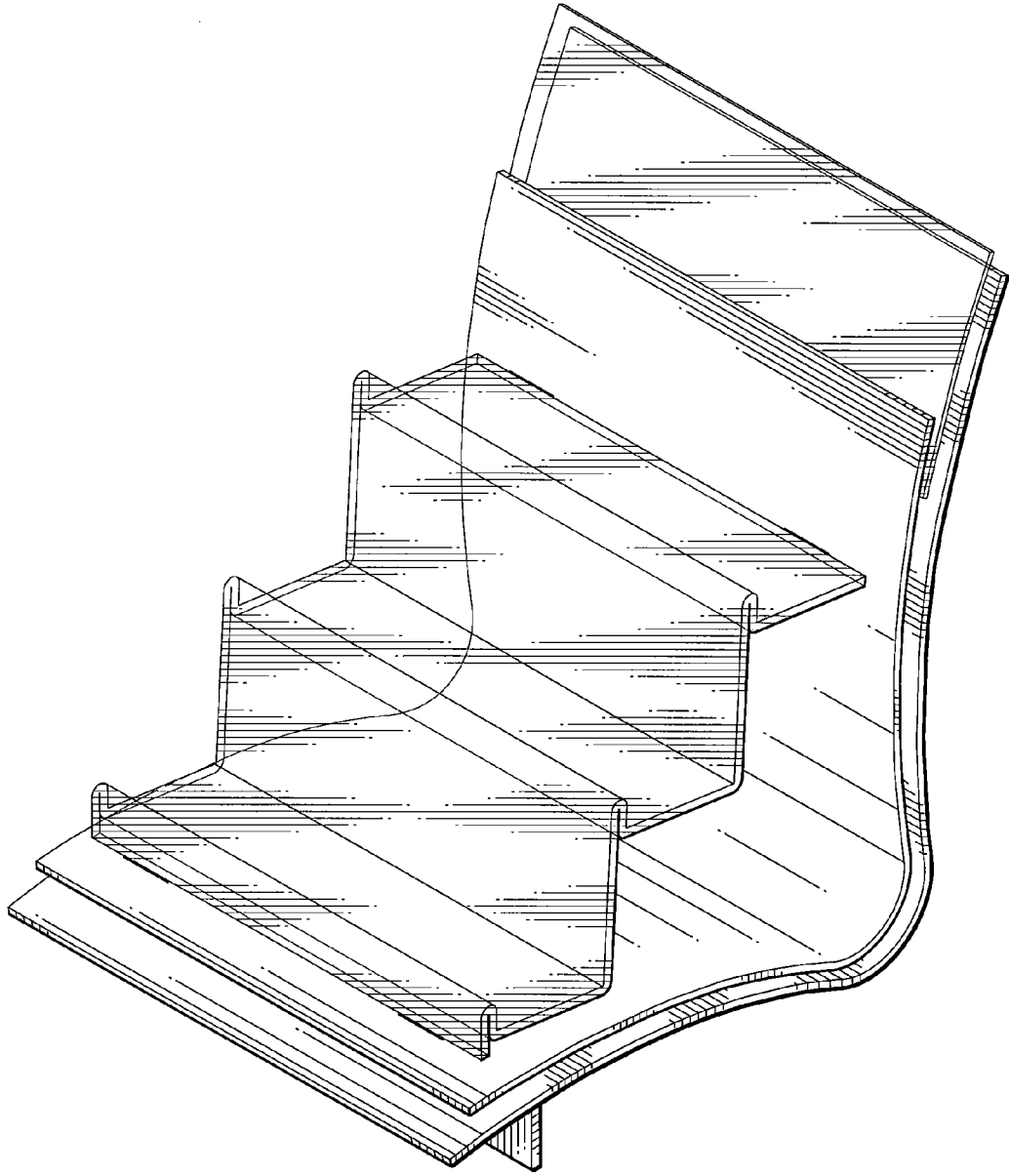


FIG. 1

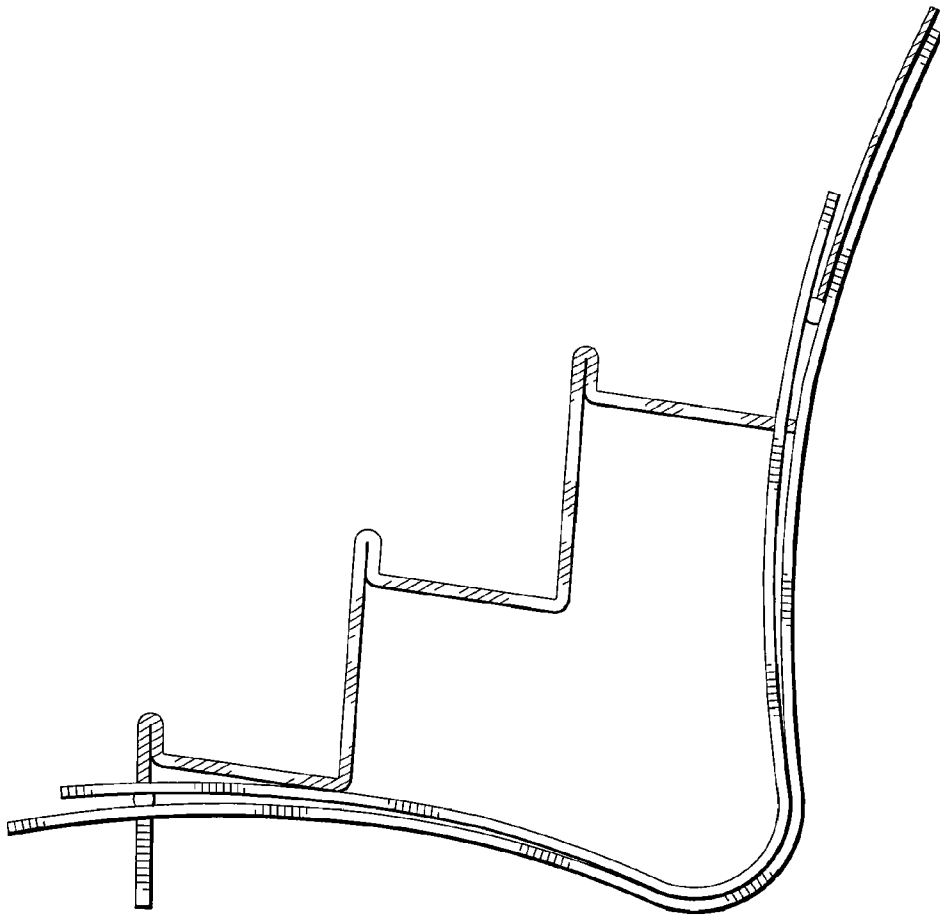


FIG. 2

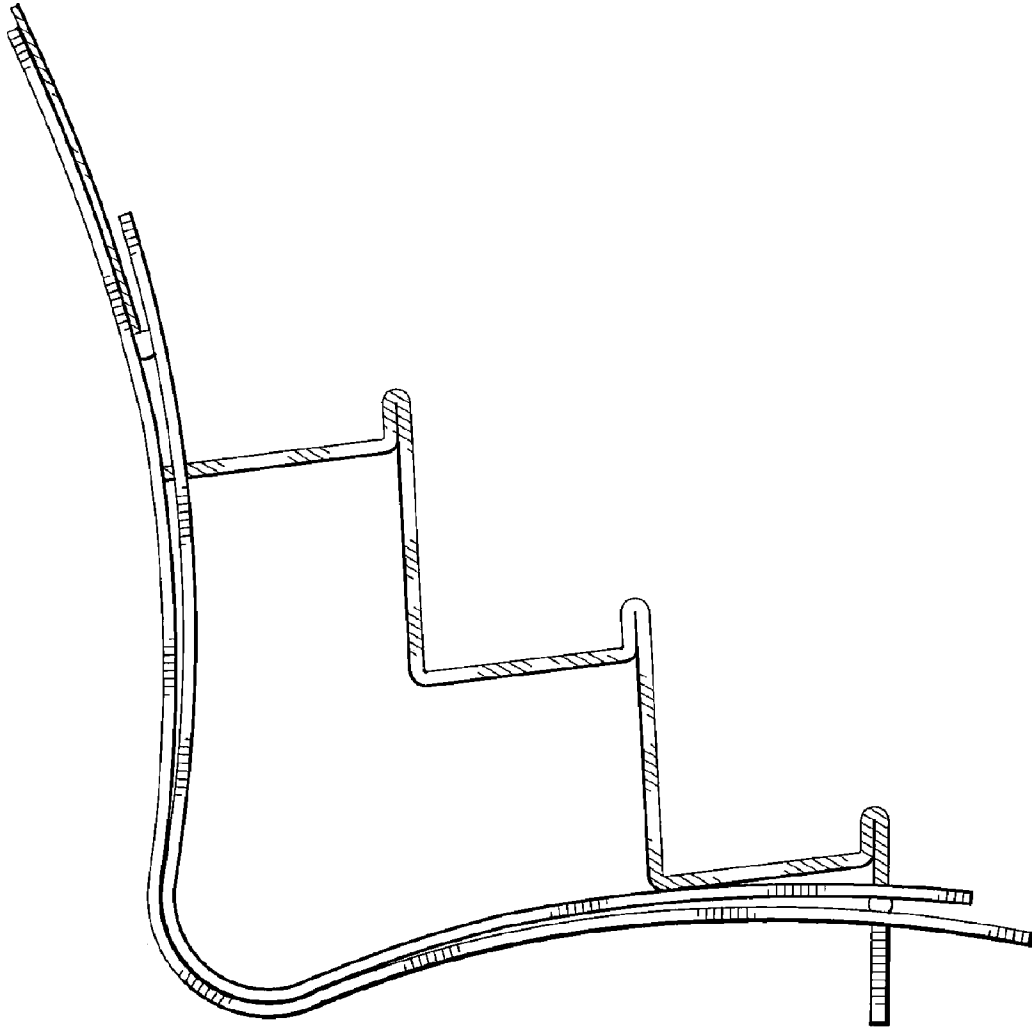


Fig. 3

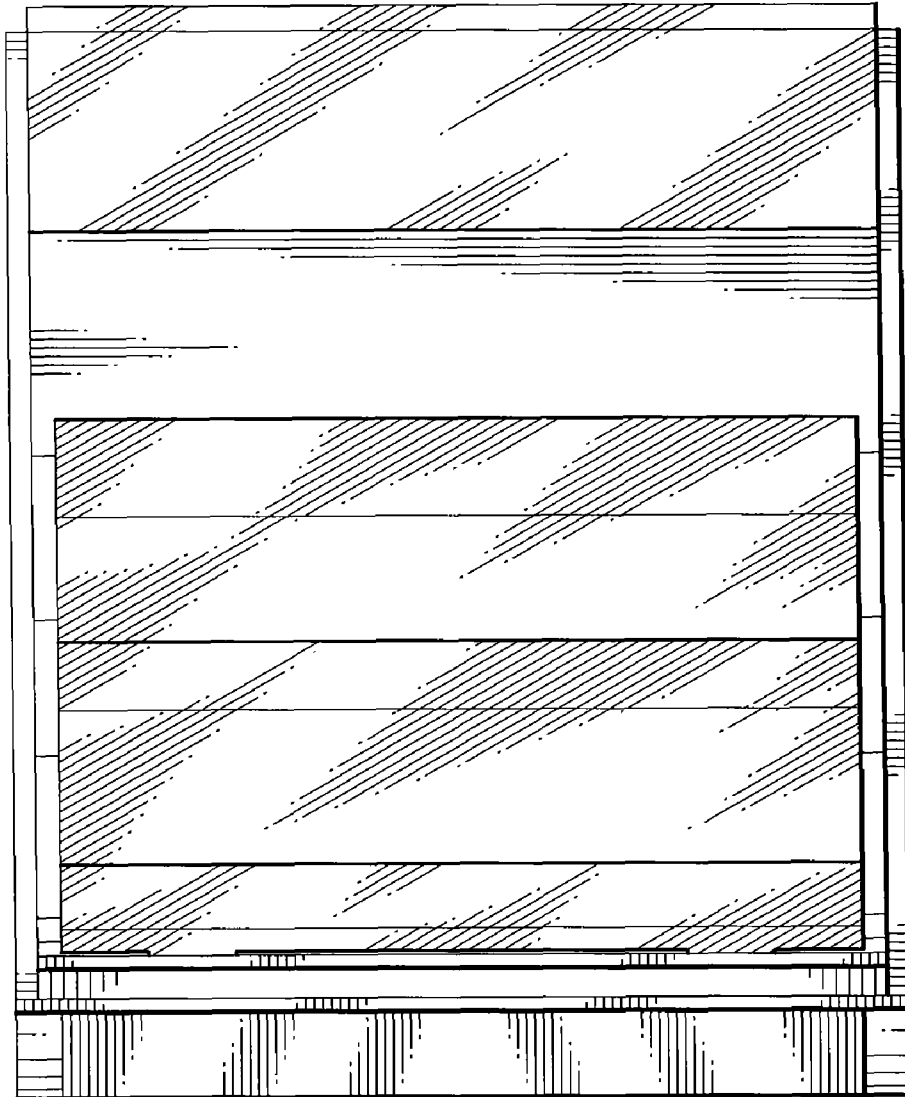


FIG. 4

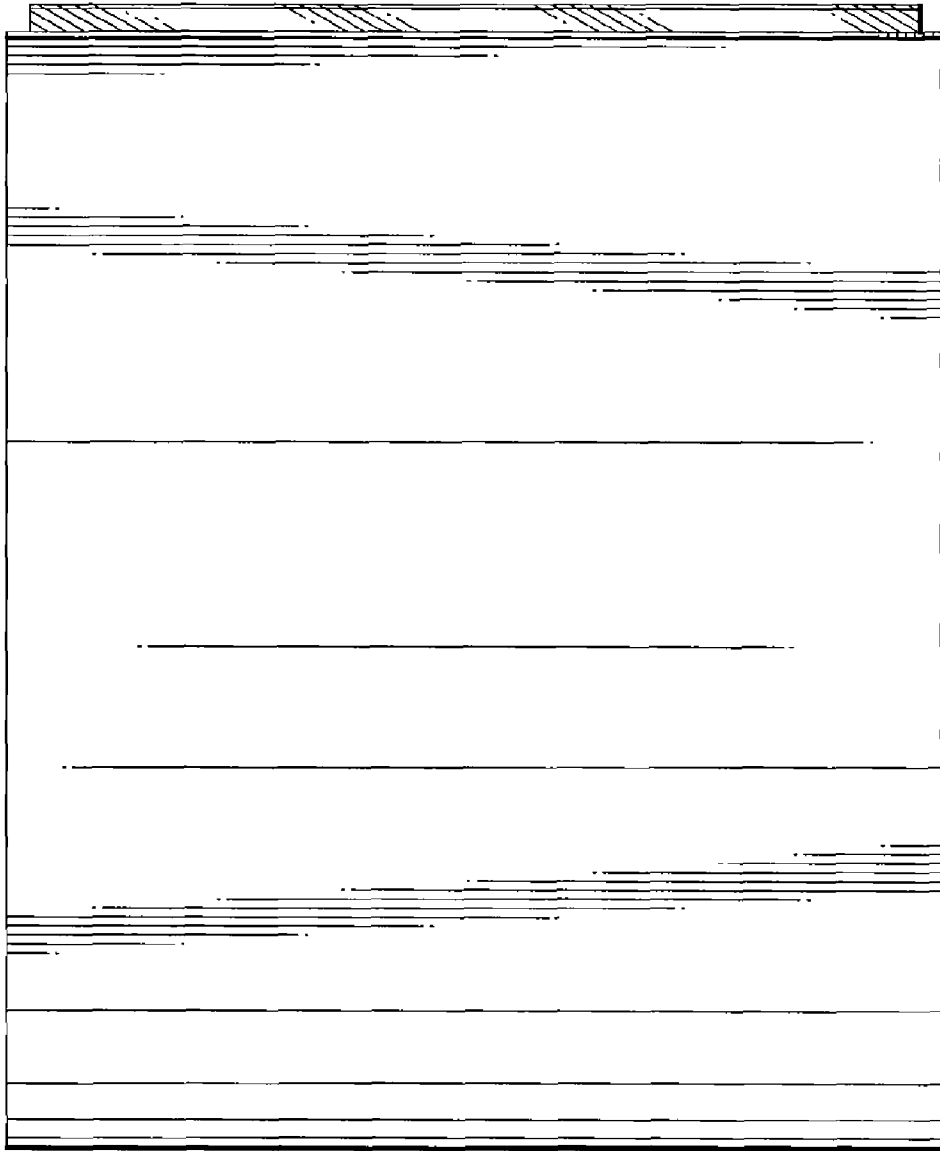


FIG. 5

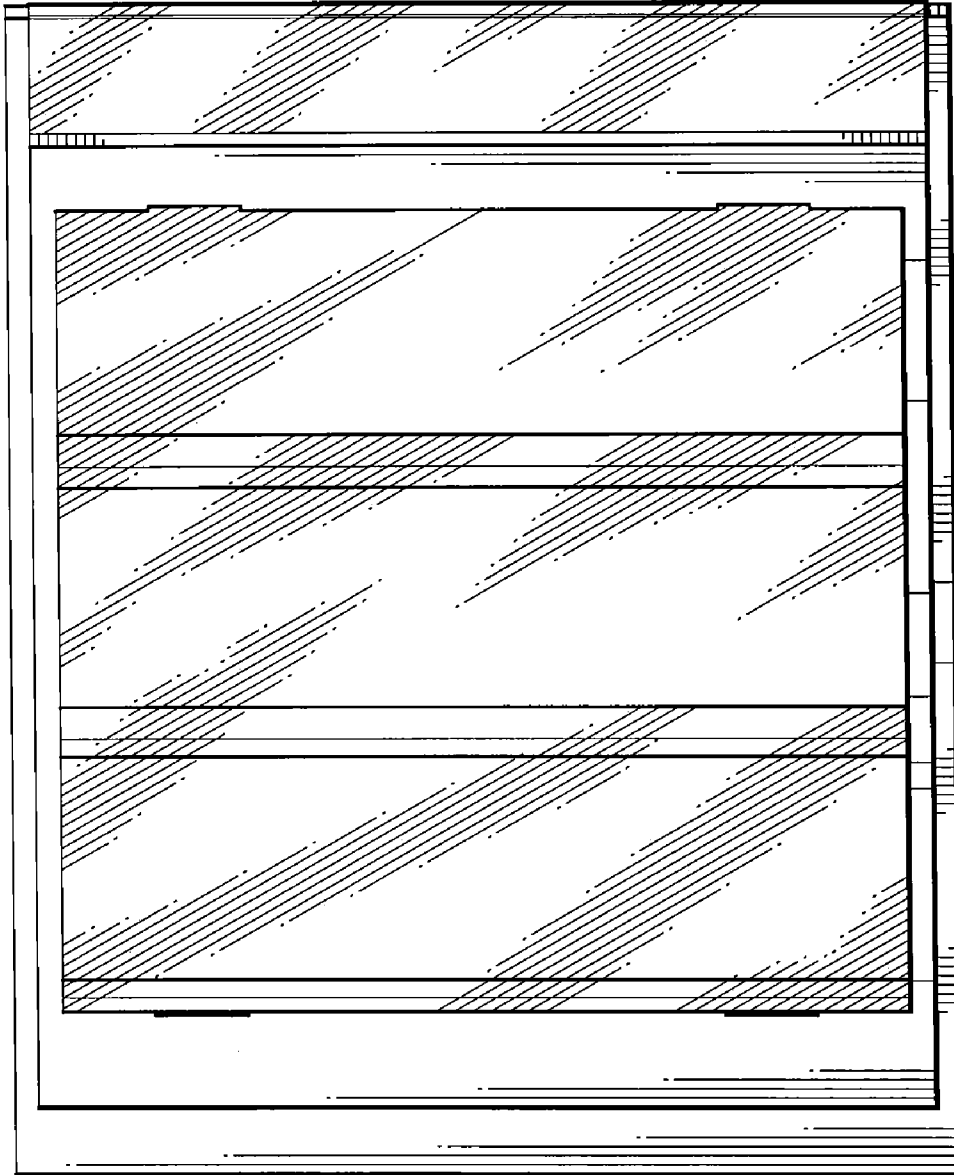


FIG. 6



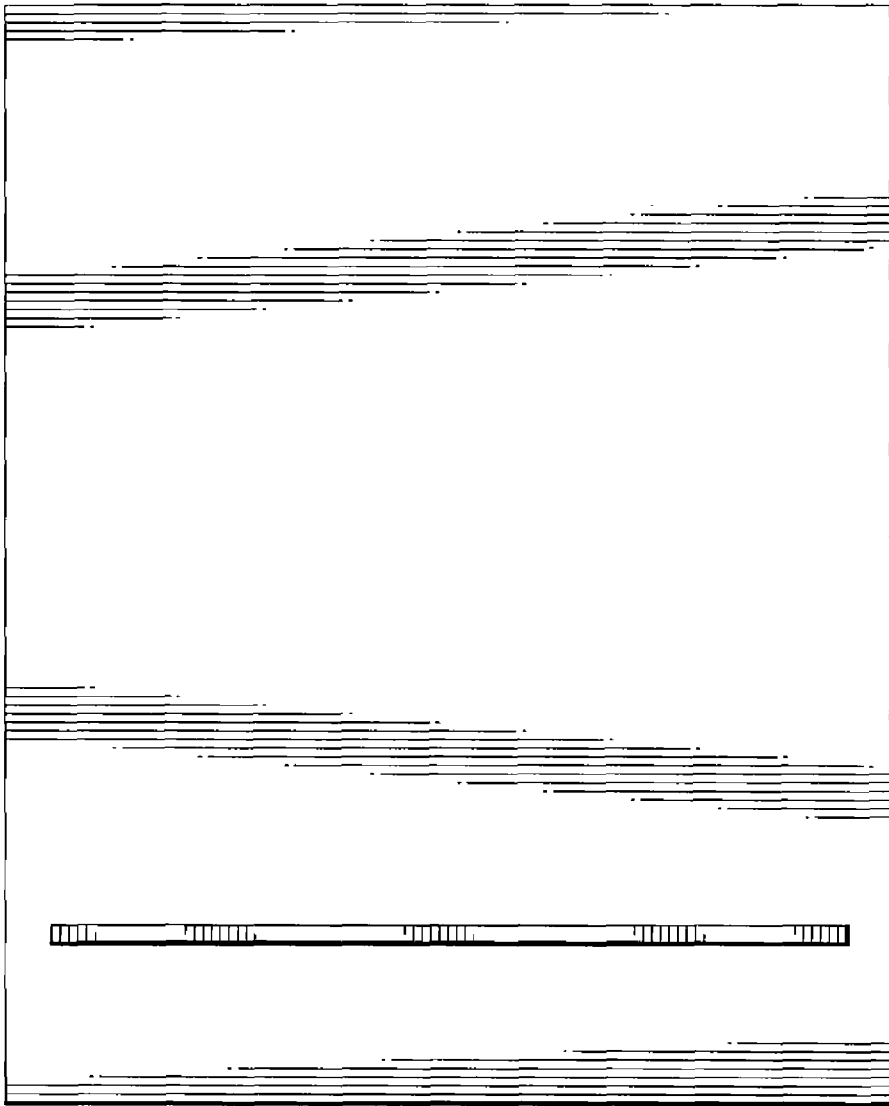


FIG. 7

UNITED STATES PATENT AND TRADEMARK OFFICE  
**CERTIFICATE OF CORRECTION**

PATENT NO. : D637,016 S  
APPLICATION NO. : 29/365558  
DATED : May 3, 2011  
INVENTOR(S) : Axel Pohl

Page 1 of 1

It is certified that error appears in the above-identified patent and that said Letters Patent is hereby corrected as shown below:

Title page, item (56) References Cited – Replace “467,621 A 1/1892 Mets”  
with --467,821 A 1/1892 Mets--

Title page, item (57) Claim – Replace “stand, an as shown” with --stand as shown--

Signed and Sealed this  
Twelfth Day of February, 2013



Teresa Stanek Rea  
*Acting Director of the United States Patent and Trademark Office*