



US0D1007236S

(12) **United States Design Patent**  
**Chen**

(10) **Patent No.:** **US D1,007,236 S**

(45) **Date of Patent:** **\*\* Dec. 12, 2023**

- (54) **GRIDDLE**
- (71) Applicant: **Yinbing Chen**, Enshi (CN)
- (72) Inventor: **Yinbing Chen**, Enshi (CN)
- (\*\*) Term: **15 Years**
- (21) Appl. No.: **29/894,651**
- (22) Filed: **Jun. 13, 2023**
- (51) **LOC (14) Cl.** ..... **07-02**
- (52) **U.S. Cl.**  
USPC ..... **D7/409; D7/354**
- (58) **Field of Classification Search**  
USPC ..... D7/323, 332, 335-337, 354-355,  
D7/359-364, 387-388, 402, 407-409  
CPC .... A21B 2/00; A21B 3/00; A21B 3/13; A21B  
3/15; A21B 5/00; A21B 5/02; A23N  
12/06; A23N 12/08; A23N 12/10; A47J  
37/00; A47J 37/04; A47J 37/041; A47J  
37/042; A47J 37/06; A47J 37/0688; A47J  
37/0694; A47J 37/07; A47J 37/0704;  
A47J 37/0713; A47J 37/10; A47J 45/02;  
A47J 47/20; A47J 2037/00; A47J  
2037/06; A47J 2037/0611; A47J 2037/07;  
A47J 2037/0786; A47J 2037/0795; F23Q  
9/045; F24C 15/10; F24C 15/12; F24C  
15/14; F24C 15/16; F24C 15/18; F24C  
15/164; H05B 3/72  
See application file for complete search history.

|                 |         |                  |              |
|-----------------|---------|------------------|--------------|
| D745,802 S      | 12/2015 | Yao              |              |
| D747,134 S *    | 1/2016  | Annunziata ..... | D7/354       |
| D784,067 S      | 4/2017  | Keating          |              |
| D829,036 S      | 9/2018  | Garcia Luna      |              |
| D833,207 S *    | 11/2018 | Zemel .....      | D7/363       |
| D848,204 S *    | 5/2019  | Chung .....      | D7/363       |
| D876,156 S      | 2/2020  | Berge            |              |
| D923,403 S      | 6/2021  | Seo              |              |
| D940,496 S *    | 1/2022  | Wang .....       | D7/363       |
| D953,094 S      | 5/2022  | Chen             |              |
| D958,586 S      | 7/2022  | Dubois           |              |
| D958,587 S      | 7/2022  | Yan              |              |
| D968,874 S *    | 11/2022 | Springer .....   | D7/363       |
| D971,668 S      | 12/2022 | Lee              |              |
| D974,822 S      | 1/2023  | Liu              |              |
| 11,607,079 B2 * | 3/2023  | Dahle .....      | A47J 37/0713 |
| D990,231 S *    | 6/2023  | Bennett .....    | D7/407       |

(Continued)

**OTHER PUBLICATIONS**

Stanbroil Stainless Steel Griddle Flat Top Griddle. Date First Available on Amazon.com Dec. 27, 2022. <https://www.amazon.com/dp/B0BR5DB5F3/ref> (Year: 2022).\*

*Primary Examiner* — Ricky Pham

(74) *Attorney, Agent, or Firm* — Jose Cherson Weissbrot

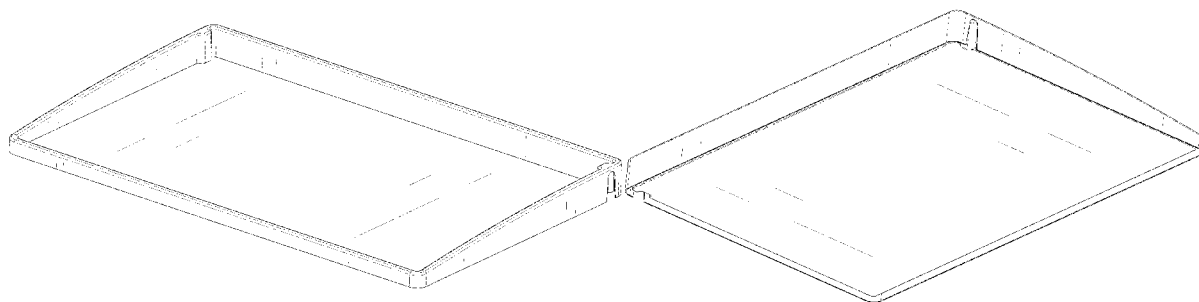
(57) **CLAIM**

The ornamental design for a griddle, as shown and described.

**DESCRIPTION**

- FIG. 1 is a top perspective view of a griddle, showing my new design;
- FIG. 2 is a bottom perspective view thereof;
- FIG. 3 is a front elevational view thereof;
- FIG. 4 is a rear elevational view thereof;
- FIG. 5 is a left side view thereof;
- FIG. 6 is a right side view thereof;
- FIG. 7 is a top plan view thereof; and,
- FIG. 8 is a bottom plan view thereof.

**1 Claim, 8 Drawing Sheets**



(56)

**References Cited**

U.S. PATENT DOCUMENTS

2009/0235918 A1\* 9/2009 Espina ..... F23Q 9/045  
126/39 G

\* cited by examiner

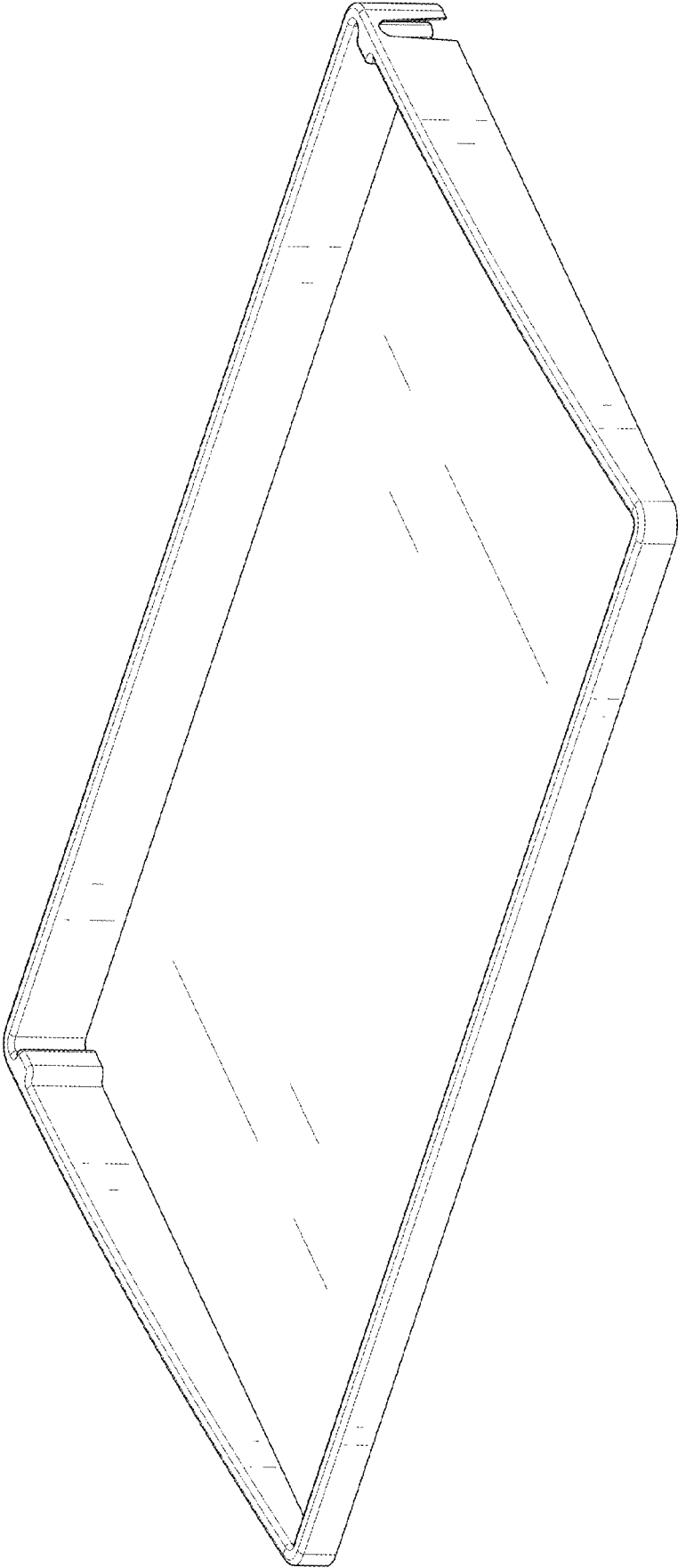


FIG.1

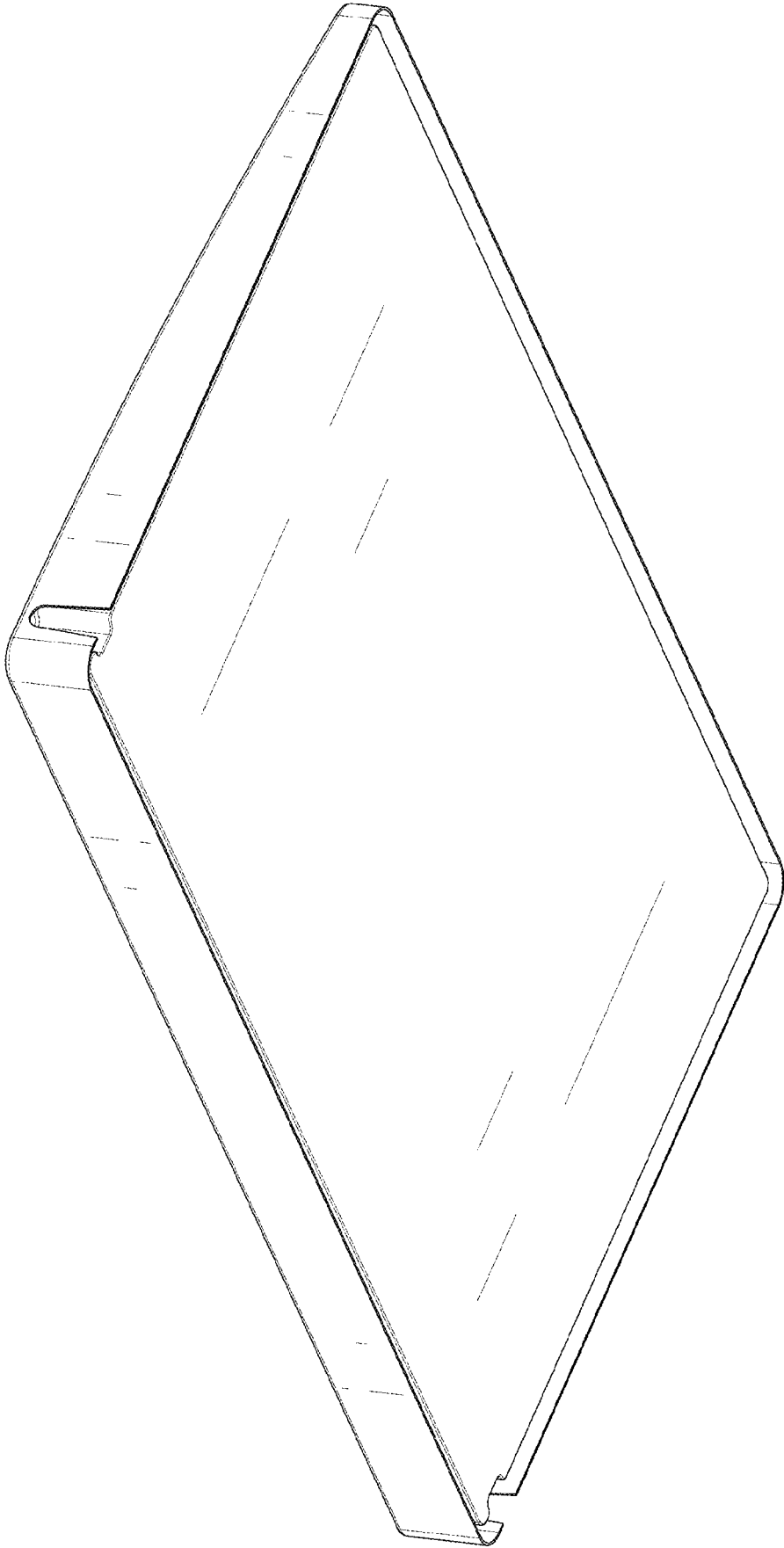


FIG. 2

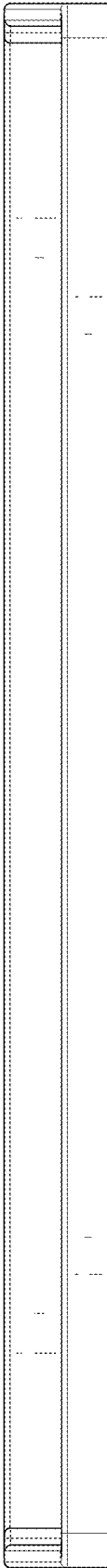
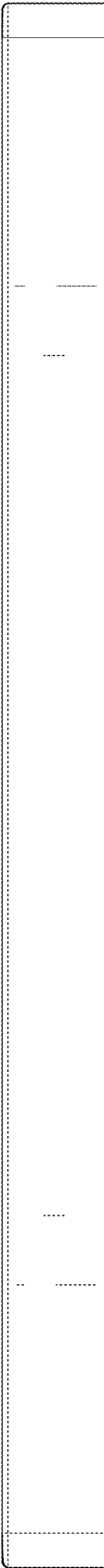


FIG. 3



**FIG. 4**

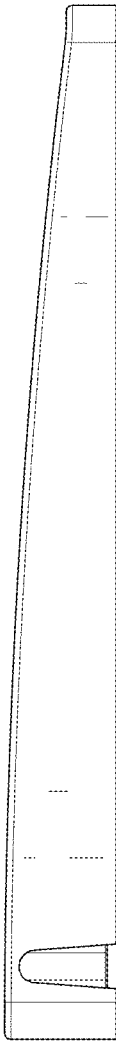
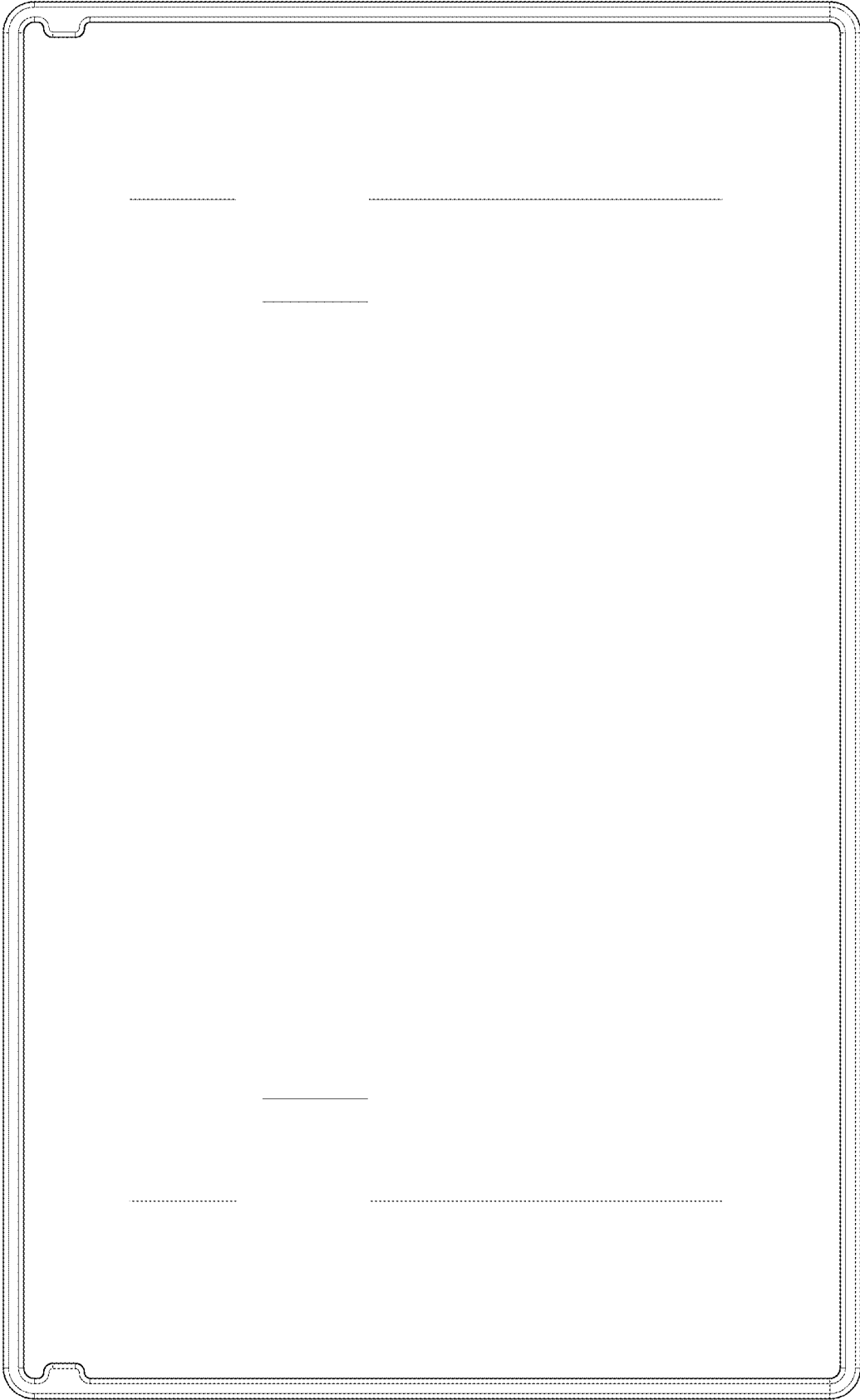


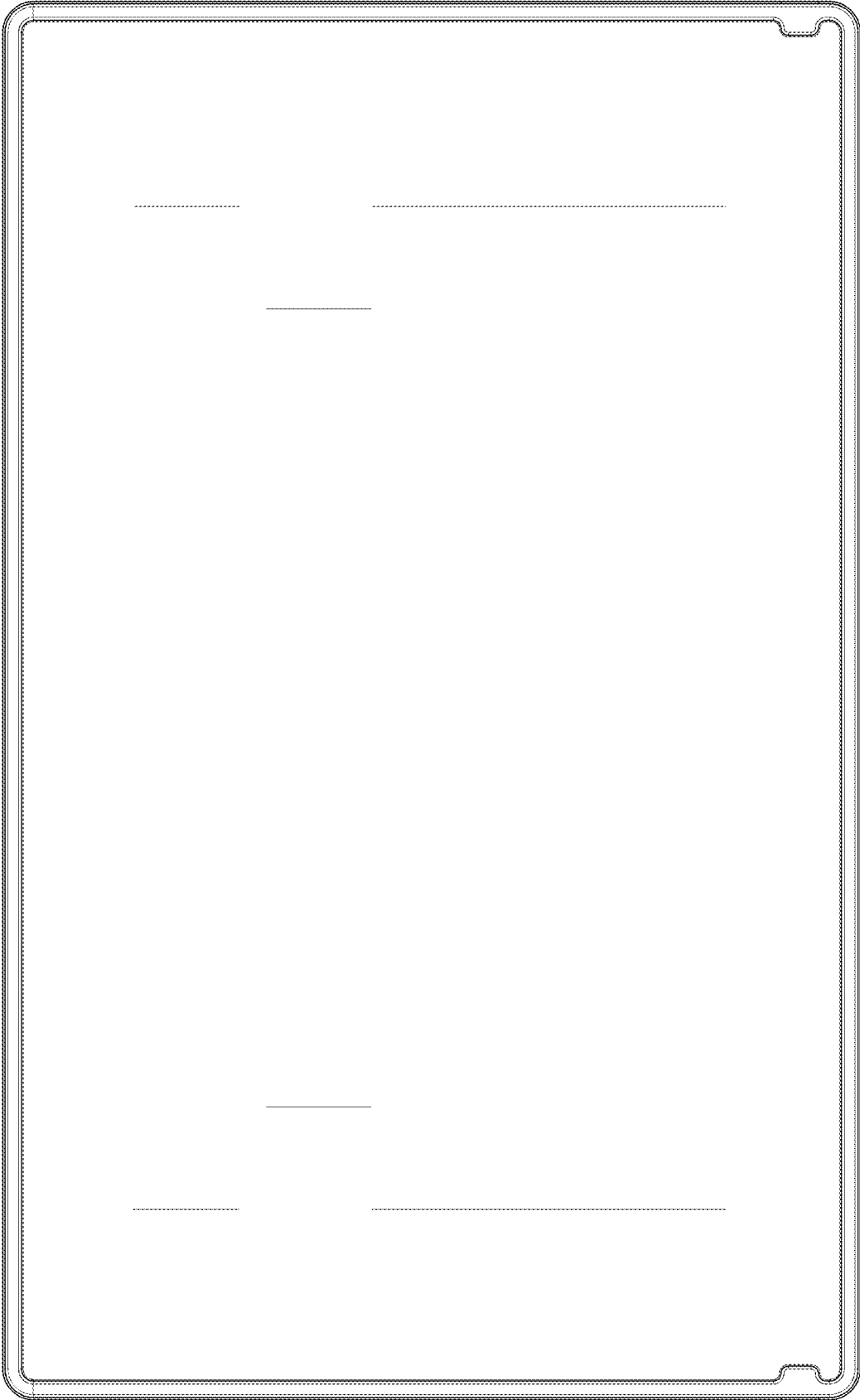
FIG. 5



FIG. 6



**FIG. 7**



**FIG. 8**