

(19) World Intellectual Property Organization
International Bureau



(43) International Publication Date
11 July 2002 (11.07.2002)

PCT

(10) International Publication Number
WO 02/053382 A3

(51) International Patent Classification⁷: B41J 29/393

(21) International Application Number: PCT/US01/50342

(22) International Filing Date:
20 December 2001 (20.12.2001)

(25) Filing Language: English

(26) Publication Language: English

(30) Priority Data:
60/259,458 2 January 2001 (02.01.2001) US
10/001,144 15 November 2001 (15.11.2001) US

(71) Applicant: 3M INNOVATIVE PROPERTIES COMPANY [US/US]; 3M Center, Post Office Box 33427, Saint Paul, MN 55133-3427 (US).

(72) Inventor: YLITALO, Caroline, M.; Post Office Box 33427, Saint Paul, MN 55133-3427 (US).

(74) Agents: CHRISTOFF, James, D. et al.; Office of Intellectual Property Counsel, Post Office Box 33427, Saint Paul, MN 55133-3427 (US).

(81) Designated States (*national*): AE, AG, AL, AM, AT, AT (utility model), AU, AZ, BA, BB, BG, BR, BY, BZ, CA, CH, CN, CO, CR, CU, CZ, CZ (utility model), DE, DE (utility model), DK, DK (utility model), DM, DZ, EC, EE, EE (utility model), ES, FI, FI (utility model), GB, GD, GE, GH, GM, HR, HU, ID, IL, IN, IS, JP, KE, KG, KP, KR, KZ, LC, LK, LR, LS, LT, LU, LV, MA, MD, MG, MK, MN, MW, MX, MZ, NO, NZ, OM, PH, PL, PT, RO, RU, SD, SE, SG, SI, SK, SK (utility model), SL, TJ, TM, TN, TR, TT, TZ, UA, UG, UZ, VN, YU, ZA, ZM, ZW.

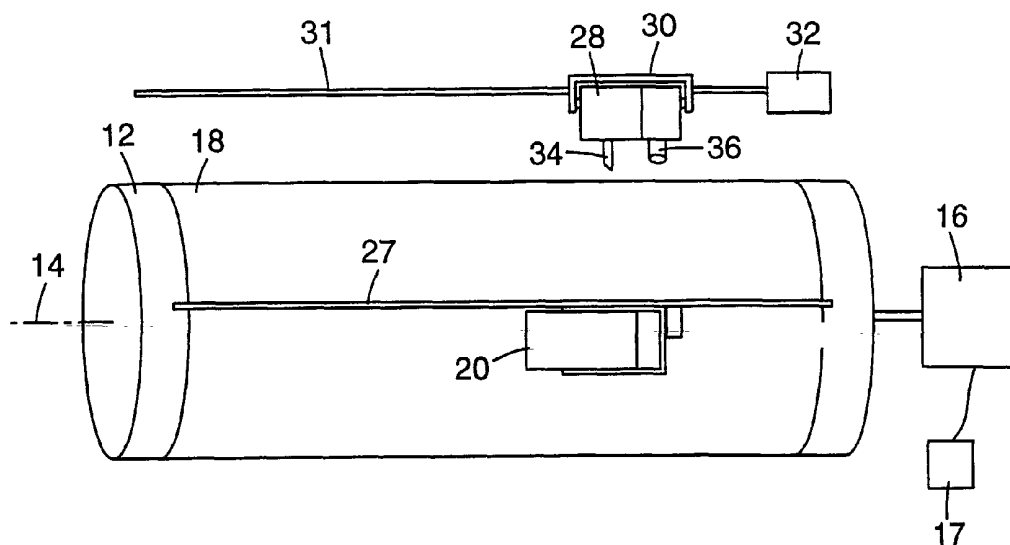
(84) Designated States (*regional*): ARIPO patent (GH, GM, KE, LS, MW, MZ, SD, SL, SZ, TZ, UG, ZM, ZW), Eurasian patent (AM, AZ, BY, KG, KZ, MD, RU, TJ, TM), European patent (AT, BE, CH, CY, DE, DK, ES, FI, FR, GB, GR, IE, IT, LU, MC, NL, PT, SE, TR), OAPI patent (BF, BJ, CF, CG, CI, CM, GA, GN, GQ, GW, ML, MR, NE, SN, TD, TG).

Published:
— with international search report

(88) Date of publication of the international search report:
3 October 2002

For two-letter codes and other abbreviations, refer to the "Guidance Notes on Codes and Abbreviations" appearing at the beginning of each regular issue of the PCT Gazette.

(54) Title: METHOD AND APPARATUS FOR SELECTION OF INKJET PRINTING PARAMETERS



(57) Abstract: Methods and apparatus for inkjet printing include automated techniques for selecting and/or adjusting printing parameters. The techniques include methods for altering test pattern images received on a substrate (18) for assessing certain characteristics, such as adhesion of a particular ink to a particular substrate (18). A computer selects certain printing parameters based on an assessment of the altered test pattern images.

WO 02/053382 A3

INTERNATIONAL SEARCH REPORT

International Application No

PCT/US 01/50342

A. CLASSIFICATION OF SUBJECT MATTER

IPC 7 B41J29/393

According to International Patent Classification (IPC) or to both national classification and IPC

B. FIELDS SEARCHED

Minimum documentation searched (classification system followed by classification symbols)

IPC 7 B41J

Documentation searched other than minimum documentation to the extent that such documents are included in the fields searched

Electronic data base consulted during the international search (name of data base and, where practical, search terms used)

EPO-Internal, PAJ, WPI Data, IBM-TDB

C. DOCUMENTS CONSIDERED TO BE RELEVANT

Category °	Citation of document, with indication, where appropriate, of the relevant passages	Relevant to claim No.
X	EP 0 978 390 A (HEWLETT PACKARD CO) 9 February 2000 (2000-02-09) column 7, line 18 - line 30; figure 4 column 10, line 17 - line 21	14-28
A	---	1-13, 29-43
A	PATENT ABSTRACTS OF JAPAN vol. 2000, no. 11, 3 January 2001 (2001-01-03) & JP 2000 211219 A (FUJITSU LTD;FUJITSU PERIPHERALS LTD), 2 August 2000 (2000-08-02) abstract	1, 14, 29

	-/--	

Further documents are listed in the continuation of box C.

Patent family members are listed in annex.

° Special categories of cited documents:

- *A* document defining the general state of the art which is not considered to be of particular relevance
- *E* earlier document but published on or after the international filing date
- *L* document which may throw doubts on priority claim(s) or which is cited to establish the publication date of another citation or other special reason (as specified)
- *O* document referring to an oral disclosure, use, exhibition or other means
- *P* document published prior to the international filing date but later than the priority date claimed

- *T* later document published after the international filing date or priority date and not in conflict with the application but cited to understand the principle or theory underlying the invention
- *X* document of particular relevance; the claimed invention cannot be considered novel or cannot be considered to involve an inventive step when the document is taken alone
- *Y* document of particular relevance; the claimed invention cannot be considered to involve an inventive step when the document is combined with one or more other such documents, such combination being obvious to a person skilled in the art.
- *Z* document member of the same patent family

Date of the actual completion of the international search

2 July 2002

Date of mailing of the international search report

15/07/2002

Name and mailing address of the ISA

European Patent Office, P.B. 5818 Patentlaan 2
NL - 2280 HV Rijswijk
Tel. (+31-70) 340-2040, Tx. 31 651 epo nl,
Fax: (+31-70) 340-3016

Authorized officer

Adam, E

INTERNATIONAL SEARCH REPORT

International Application No

PCT/US 01/50342

C.(Continuation) DOCUMENTS CONSIDERED TO BE RELEVANT		
Category °	Citation of document, with indication, where appropriate, of the relevant passages	Relevant to claim No.
A	EP 1 046 511 A (CANON KK) 25 October 2000 (2000-10-25) column 17, line 21 - line 30 column 18, line 55 - line 5; figure 12 ---	1,14,29
A	US 5 508 826 A (LLOYD WILLIAM J ET AL) 16 April 1996 (1996-04-16) abstract; figure 3 ---	1,14,29
P,A	US 6 248 404 B1 (GREENE-MATHIS MARY VIRGINIA) 19 June 2001 (2001-06-19) abstract -----	1,14,29

INTERNATIONAL SEARCH REPORT

Information on patent family members

International Application No

PCT/US 01/50342

Patent document cited in search report	A	Publication date	Patent family member(s)	Publication date
EP 0978390	A	09-02-2000	US 6076915 A EP 0978390 A1 JP 2000052574 A	20-06-2000 09-02-2000 22-02-2000
JP 2000211219	A	02-08-2000	NONE	
EP 1046511	A	25-10-2000	JP 2000301810 A EP 1046511 A2	31-10-2000 25-10-2000
US 5508826	A	16-04-1996	DE 69416892 D1 DE 69416892 T2 EP 0625847 A1 JP 7023175 A	15-04-1999 08-07-1999 23-11-1994 24-01-1995
US 6248404	B1	19-06-2001	NONE	