



US00D417552S

United States Patent [19]

[11] Patent Number: **Des. 417,552**

Snetting et al.

[45] Date of Patent: **** Dec. 14, 1999**

[54] MODULAR MANUAL ROLLER HANDLE

| | | | |
|-----------|--------|-------------------|---------|
| 4,732,503 | 3/1988 | Bader et al. | 401/197 |
| 4,810,123 | 3/1989 | Bruggeman . | |
| 4,822,194 | 4/1989 | Simonette . | |
| 4,997,302 | 3/1991 | Simonette . | |

[75] Inventors: **Mark E. Snetting; Steven A. Anderson**, both of Eden Prairie; **Richard C. Schoenert**, Hopkins; **Neil T. Amundson**, Eden Prairie, all of Minn.

OTHER PUBLICATIONS

Stainstick Product Cart PN800416 (1997).
Sears Owner Manual for Craftsman Paint Roller Model 165.155400 (1984).
Homeright Product Catalog p/n 82070 (1997).
Homeright Painstick Roller Painting System Brochure (1996).

[73] Assignee: **Wagner Spray Tech Corporation**, Minneapolis, Minn.

Primary Examiner—Alan P. Douglas
Assistant Examiner—Lavone D. Tabor
Attorney, Agent, or Firm—Faegre & Benson LLP

[**] Term: **14 Years**

[21] Appl. No.: **29/091,972**

[22] Filed: **Aug. 10, 1998**

[57] CLAIM

[51] LOC (6) Cl. **08-05**

[52] U.S. Cl. **D4/138; D4/115**

[58] Field of Search D4/115, 122, 138;
401/143, 144, 146, 147, 188 R, 197, 203,
204, 207, 218, 219; 222/191, 192, 309,
631; 141/20.5

The ornamental design for a modular manual roller handle, as shown and described.

DESCRIPTION

[56] References Cited

U.S. PATENT DOCUMENTS

| | | | |
|------------|---------|---------------------|-----------|
| D. 294,087 | 2/1988 | Clivio et al. | D4/138 |
| 3,020,579 | 2/1962 | O'Connor . | |
| 3,337,899 | 8/1967 | Renfrow | 401/144 X |
| 3,554,659 | 1/1971 | Stokes . | |
| 3,612,707 | 10/1971 | Herbrechter . | |
| 3,713,744 | 1/1973 | Sims . | |
| 4,588,318 | 5/1986 | O'Brien et al. . | |
| 4,597,684 | 7/1986 | O'Brien et al. | 401/197 |
| 4,611,941 | 9/1986 | Karliner et al. . | |
| 4,695,176 | 9/1987 | Simonette et al. . | |

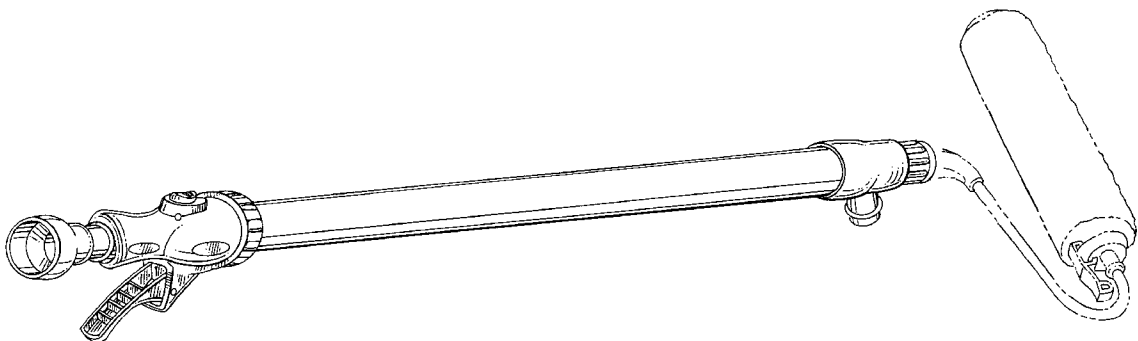
FIG. 1 is a view of the modular manual roller handle from above and to the right with the roller attachment shown in phantom.

FIG. 2 is a view of the modular manual roller handle from below; and,

FIG. 3 is a view of the modular manual roller handle from the left and slightly above with the roller attachment shown in phantom.

The broken lines showing a roller attachment in FIGS. 1 and 3 are for illustrative purposes only and form no part of the claimed design.

1 Claim, 2 Drawing Sheets



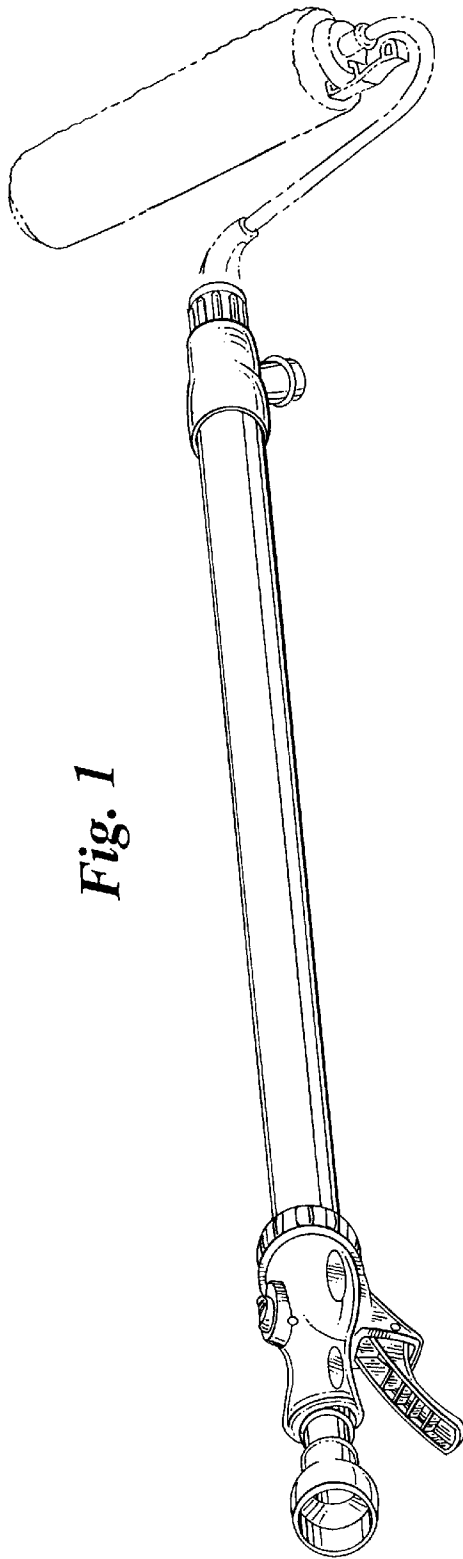


Fig. 1

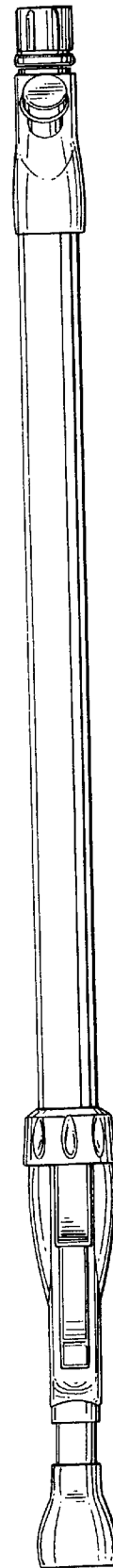


Fig. 2

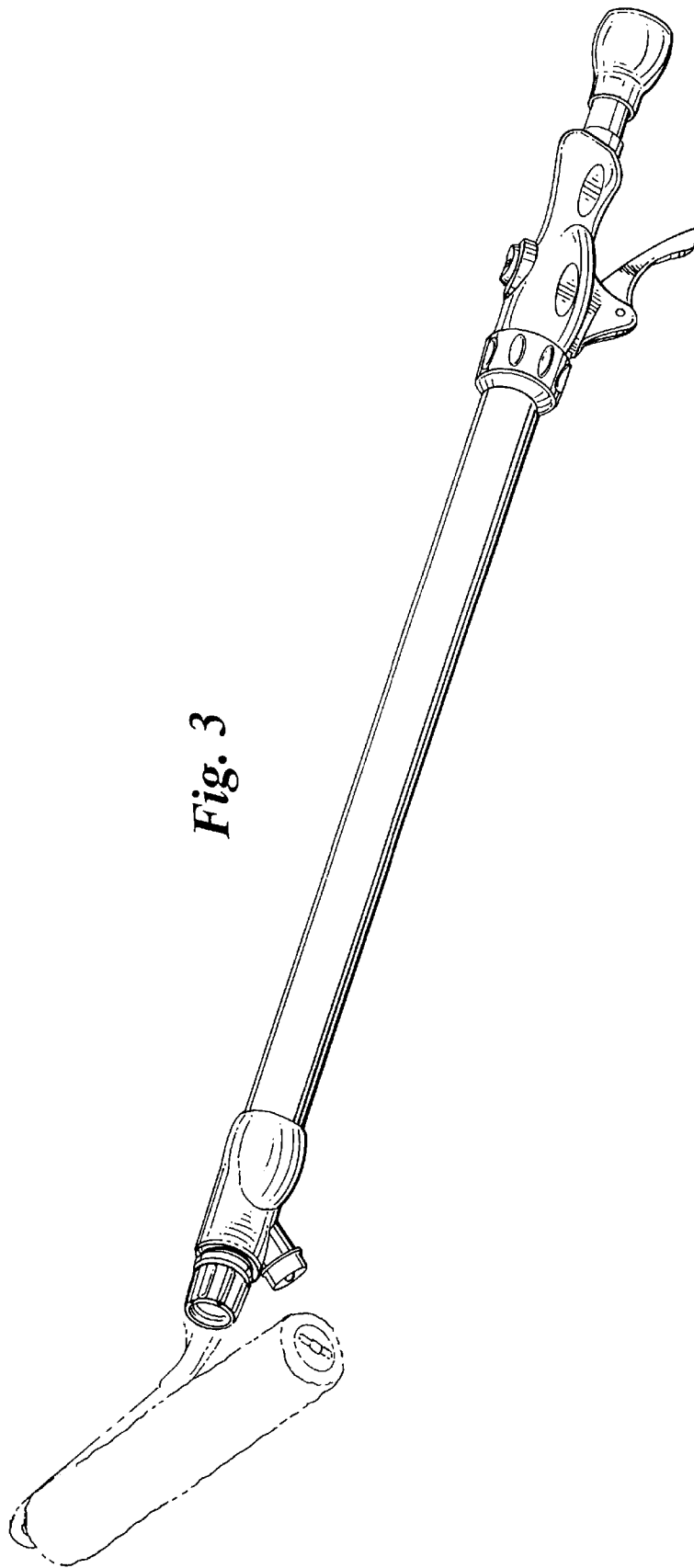


Fig. 3