

(19) World Intellectual Property Organization
International Bureau



(43) International Publication Date
8 July 2010 (08.07.2010)

(10) International Publication Number
WO 2010/077496 A3

(51) International Patent Classification:

G02B 7/00 (2006.01) G02C 7/08 (2006.01)
G02B 25/00 (2006.01) G02C 9/02 (2006.01)

(21) International Application Number:

PCT/US2009/065642

(22) International Filing Date:

24 November 2009 (24.11.2009)

(25) Filing Language:

English

(26) Publication Language:

English

(30) Priority Data:

12/329,931 8 December 2008 (08.12.2008) US

(72) Inventor; and

(71) Applicant : MAZURENKO, Alexsey [US/US]; 6 Cottonwood Lane, Falmouth, Maine 04105 (US).

(74) Agent: KOSAKOSKI, Richard H.; Cantor Colburn LLP, 20 Church Street, 22nd Floor, Hartford, Connecticut 06103 (US).

(81) Designated States (unless otherwise indicated, for every kind of national protection available): AE, AG, AL, AM, AO, AT, AU, AZ, BA, BB, BG, BH, BR, BW, BY, BZ, CA, CH, CL, CN, CO, CR, CU, CZ, DE, DK, DM, DO,

DZ, EC, EE, EG, ES, FI, GB, GD, GE, GH, GM, GT, HN, HR, HU, ID, IL, IN, IS, JP, KE, KG, KM, KN, KP, KR, KZ, LA, LC, LK, LR, LS, LT, LU, LY, MA, MD, ME, MG, MK, MN, MW, MX, MY, MZ, NA, NG, NI, NO, NZ, OM, PE, PG, PH, PL, PT, RO, RS, RU, SC, SD, SE, SG, SK, SL, SM, ST, SV, SY, TJ, TM, TN, TR, TT, TZ, UA, UG, US, UZ, VC, VN, ZA, ZM, ZW.

(84) Designated States (unless otherwise indicated, for every kind of regional protection available): ARIPO (BW, GH, GM, KE, LS, MW, MZ, NA, SD, SL, SZ, TZ, UG, ZM, ZW), Eurasian (AM, AZ, BY, KG, KZ, MD, RU, TJ, TM), European (AT, BE, BG, CH, CY, CZ, DE, DK, EE, ES, FI, FR, GB, GR, HR, HU, IE, IS, IT, LT, LU, LV, MC, MK, MT, NL, NO, PL, PT, RO, SE, SI, SK, SM, TR), OAPI (BF, BJ, CF, CG, CI, CM, GA, GN, GQ, GW, ML, MR, NE, SN, TD, TG).

Declarations under Rule 4.17:

— as to the identity of the inventor (Rule 4.17(i))

Published:

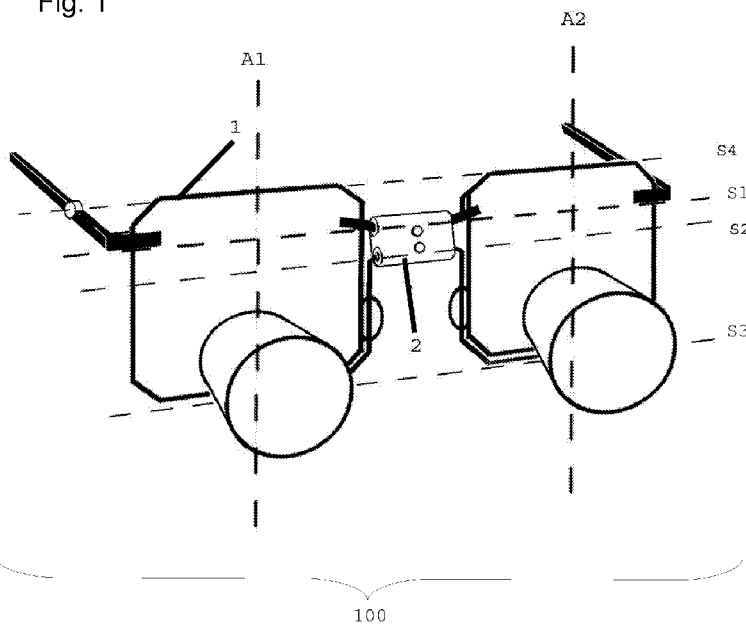
— with international search report (Art. 21(3))

— before the expiration of the time limit for amending the claims and to be republished in the event of receipt of amendments (Rule 48.2(h))

[Continued on next page]

(54) Title: MAGNIFICATION VIEWER WITH LOUPE MOUNTING ASSEMBLY

Fig. 1



(57) Abstract: A loupe mounting assembly includes: a bridge swivel including a base coupling for attaching the assembly to a base device, the swivel also including a loupe bar coupled to a loupe bar coupling proximate the base coupling; wherein each of the base coupling and the loupe bar coupling provide for rotation of the assembly about a first axis (S1) and a second axis (S2) respectively; wherein the loupe bar includes horizontally outward extensions in a location that is inferior to a line of sight when worn by a user; and a loupe adjustment mechanism mounted on each of the extensions of the loupe bar. Embodiments of a magnification viewer are also provided.

WO 2010/077496 A3

(88) Date of publication of the international search report:
7 October 2010

INTERNATIONAL SEARCH REPORT

International application No
PCT/US2009/065642

A. CLASSIFICATION OF SUBJECT MATTER

INV. G02B7/00 G02B25/00 G02C7/08 G02C9/02

According to International Patent Classification (IPC) or to both national classification and IPC

B. FIELDS SEARCHED

Minimum documentation searched (classification system followed by classification symbols)
G02B G02C

Documentation searched other than minimum documentation to the extent that such documents are included in the fields searched

Electronic data base consulted during the international search (name of data base and, where practical, search terms used)

EPO-Internal

C. DOCUMENTS CONSIDERED TO BE RELEVANT

Category*	Citation of document, with indication, where appropriate, of the relevant passages	Relevant to claim No.
X A	US 6 064 520 A (NOWAK DAVID [US] ET AL) 16 May 2000 (2000-05-16) figures 1,3 column 3, lines 54-56 column 4, lines 25-43	1,4-9 2,3, 10-16, 20,21
X A	US 5 446 507 A (CHANG BYUNG J [US]) 29 August 1995 (1995-08-29) figure 4	1,4-9 2,3, 10-16, 20,21
	----- -/--	

Further documents are listed in the continuation of Box C.

See patent family annex.

* Special categories of cited documents :

- "A" document defining the general state of the art which is not considered to be of particular relevance
- "E" earlier document but published on or after the international filing date
- "L" document which may throw doubts on priority claim(s) or which is cited to establish the publication date of another citation or other special reason (as specified)
- "O" document referring to an oral disclosure, use, exhibition or other means
- "P" document published prior to the international filing date but later than the priority date claimed

- "T" later document published after the international filing date or priority date and not in conflict with the application but cited to understand the principle or theory underlying the invention
- "X" document of particular relevance; the claimed invention cannot be considered novel or cannot be considered to involve an inventive step when the document is taken alone
- "Y" document of particular relevance; the claimed invention cannot be considered to involve an inventive step when the document is combined with one or more other such documents, such combination being obvious to a person skilled in the art.
- "&" document member of the same patent family

Date of the actual completion of the international search

26 April 2010

Date of mailing of the international search report

19/08/2010

Name and mailing address of the ISA/

European Patent Office, P.B. 5818 Patentlaan 2
NL - 2280 HV Rijswijk
Tel. (+31-70) 340-2040,
Fax: (+31-70) 340-3016

Authorized officer

Serbin, Jesper

INTERNATIONAL SEARCH REPORT

International application No

PCT/US2009/065642

C(Continuation). DOCUMENTS CONSIDERED TO BE RELEVANT

Category*	Citation of document, with indication, where appropriate, of the relevant passages	Relevant to claim No.
X A	US 2003/142263 A1 (CAPLAN CHARLES H [US] ET AL) 31 July 2003 (2003-07-31) figures 2-7	1,4-9
X A	----- US 6 439 714 B1 (CUMMINGS THOMAS A [US]) 27 August 2002 (2002-08-27) figures 1-2	2,3, 10-16, 20,21
X A	----- US 5 920 371 A (CHANG BYUNG JIN [US] ET AL) 6 July 1999 (1999-07-06) figure 2	1,4-9
X A	----- US 5 920 371 A (CHANG BYUNG JIN [US] ET AL) 6 July 1999 (1999-07-06) figure 2	2,3, 10-16, 20,21
A	----- EP 0 076 499 A2 (FONDERMANN & CO [DE]) 13 April 1983 (1983-04-13) figure 1	8
A	----- EP 0 116 093 A1 (NEGISHI TOHRU) 22 August 1984 (1984-08-22) figures 3,4	8

INTERNATIONAL SEARCH REPORT

International application No.
PCT/US2009/065642

Box No. II Observations where certain claims were found unsearchable (Continuation of item 2 of first sheet)

This international search report has not been established in respect of certain claims under Article 17(2)(a) for the following reasons:

1. Claims Nos.:
because they relate to subject matter not required to be searched by this Authority, namely:

2. Claims Nos.:
because they relate to parts of the international application that do not comply with the prescribed requirements to such an extent that no meaningful international search can be carried out, specifically:

3. Claims Nos.:
because they are dependent claims and are not drafted in accordance with the second and third sentences of Rule 6.4(a).

Box No. III Observations where unity of invention is lacking (Continuation of item 3 of first sheet)

This International Searching Authority found multiple inventions in this international application, as follows:

see additional sheet

1. As all required additional search fees were timely paid by the applicant, this international search report covers all searchable claims.

2. As all searchable claims could be searched without effort justifying an additional fees, this Authority did not invite payment of additional fees.

3. As only some of the required additional search fees were timely paid by the applicant, this international search report covers only those claims for which fees were paid, specifically claims Nos.:

4. No required additional search fees were timely paid by the applicant. Consequently, this international search report is restricted to the invention first mentioned in the claims; it is covered by claims Nos.:

1-16, 20, 21

Remark on Protest

- The additional search fees were accompanied by the applicant's protest and, where applicable, the payment of a protest fee.
- The additional search fees were accompanied by the applicant's protest but the applicable protest fee was not paid within the time limit specified in the invitation.
- No protest accompanied the payment of additional search fees.

FURTHER INFORMATION CONTINUED FROM PCT/ISA/ 210

This International Searching Authority found multiple (groups of) inventions in this international application, as follows:

1. claims: 1-16, 20, 21

Magnification viewer with enhanced peripheral view

2. claims: 17-21

Highly adjustable magnification viewer

INTERNATIONAL SEARCH REPORT

Information on patent family members

International application No

PCT/US2009/065642

Patent document cited in search report	A	Publication date	Patent family member(s)	Publication date
US 6064520	A	16-05-2000	NONE	
US 5446507	A	29-08-1995	NONE	
US 2003142263	A1	31-07-2003	NONE	
US 6439714	B1	27-08-2002	NONE	
US 5920371	A	06-07-1999	NONE	
EP 0076499	A2	13-04-1983	DE 3139555 C1	28-10-1982
EP 0116093	A1	22-08-1984	DK 26484 A	16-02-1984
			IT 1168810 B	20-05-1987
			WO 8400618 A1	16-02-1984
			JP 1632336 C	26-12-1991
			JP 2059444 B	12-12-1990
			JP 59024824 A	08-02-1984