



US00D655342S

(12) **United States Design Patent**  
**Ariga et al.**

(10) **Patent No.:** **US D655,342 S**

(45) **Date of Patent:** **\*\* Mar. 6, 2012**

(54) **FILM DISPENSING TOOL FOR STATIONERY**

(75) Inventors: **Hiroyuki Ariga**, Tokyo (JP); **Kazui Fueki**, Tokyo (JP); **Mari Takenaka**, Tokyo (JP)

(73) Assignee: **Plus Corporation**, Tokyo (JP)

(\*\*) Term: **14 Years**

(21) Appl. No.: **29/389,822**

(22) Filed: **Apr. 18, 2011**

(30) **Foreign Application Priority Data**

Nov. 15, 2010 (JP) ..... 2010-027439

(51) **LOC (9) Cl.** ..... **19-02**

(52) **U.S. Cl.** ..... **D19/69**

(58) **Field of Classification Search** ..... D19/66,  
D19/67, 68, 69, 70; 156/523, 257, 540, 577;  
206/411; 225/6, 25, 39, 77; 242/588, 588.1,  
242/588.2, 588.3, 588.6, 5

See application file for complete search history.

(56) **References Cited**

**U.S. PATENT DOCUMENTS**

D475,747	S	*	6/2003	Ono	.....	D19/69
D506,508	S	*	6/2005	Shimizu et al.	.....	D19/69
D581,466	S	*	11/2008	Lin	.....	D19/69
D601,625	S	*	10/2009	Yeh	.....	D19/36
D615,126	S	*	5/2010	Syal	.....	D19/69
D619,174	S	*	7/2010	Yeh	.....	D19/69
D619,655	S	*	7/2010	Suzuki	.....	D19/69

D620,527	S	*	7/2010	Suzuki	.....	D19/69
D636,025	S	*	4/2011	Kouda	.....	D19/69
2003/0062135	A1	*	4/2003	Takahashi	.....	156/577
2006/0257195	A1	*	11/2006	Chen	.....	400/697
2008/0173406	A1	*	7/2008	Wu	.....	156/540

\* cited by examiner

*Primary Examiner* — Austin Murphy

(74) *Attorney, Agent, or Firm* — William J. Sapone; Coleman Sudol Sapone P.C.

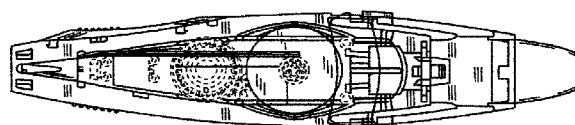
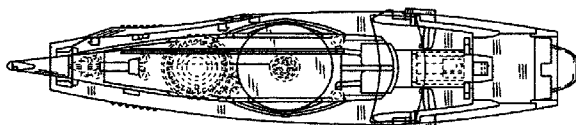
(57) **CLAIM**

We claim the ornamental design for a film dispensing tool for stationery, as shown and described.

**DESCRIPTION**

FIG. 1 is a front view of the film dispensing tool for stationery showing our new design, the design having transparent section as illustrated in FIG. 7;  
 FIG. 2 is a rear view thereof;  
 FIG. 3 is a left side view thereof;  
 FIG. 4 is a right side view thereof;  
 FIG. 5 is a top view thereof;  
 FIG. 6 is a bottom view thereof;  
 FIG. 7 is a front perspective view thereof;  
 FIG. 8 is a front view thereof with a tip of the film dispensing tool in a retracted position;  
 FIG. 9 is a rear view thereof;  
 FIG. 10 is a left side view thereof;  
 FIG. 11 is a right side view thereof;  
 FIG. 12 is a top view thereof;  
 FIG. 13 is a bottom view thereof; and,  
 FIG. 14 is a front perspective view thereof.  
 The portions of the film dispensing tool for stationery shown in broken lines form no part of the claimed design.

**1 Claim, 4 Drawing Sheets**



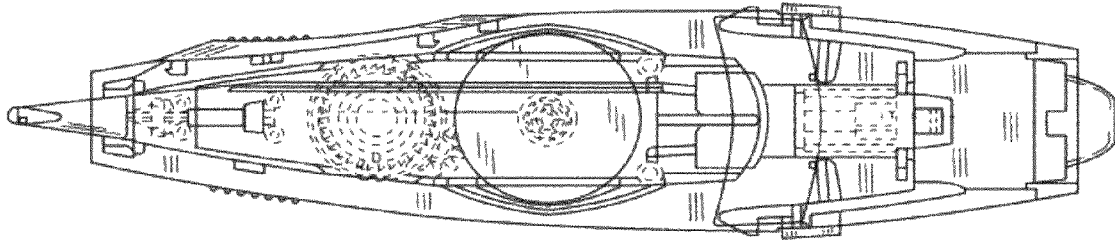


FIG. 1

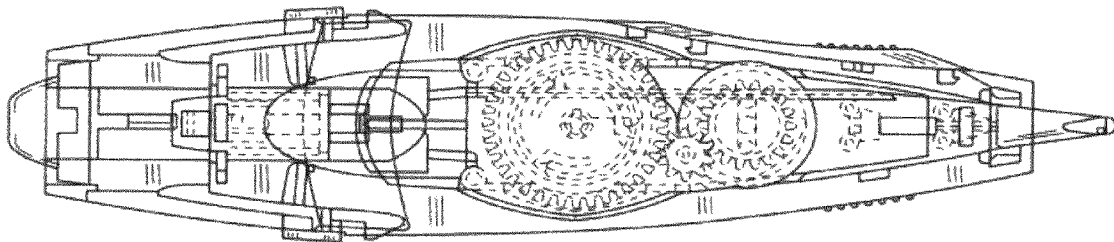


FIG. 2

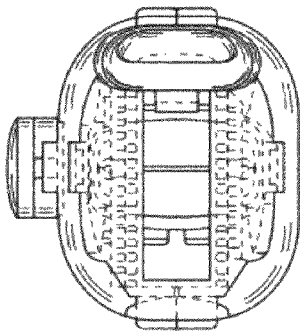


FIG. 3

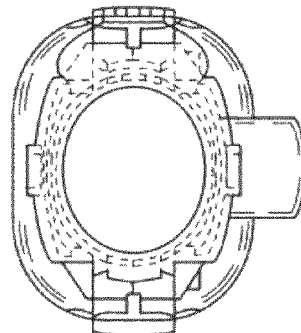


FIG. 4

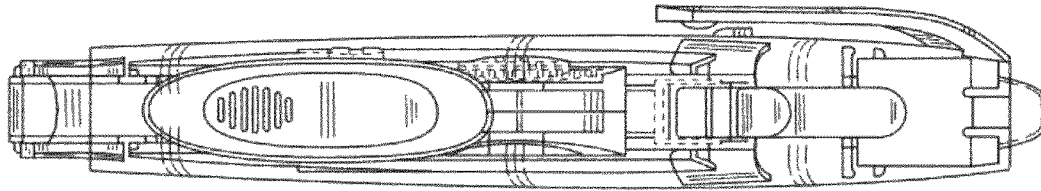


FIG. 5

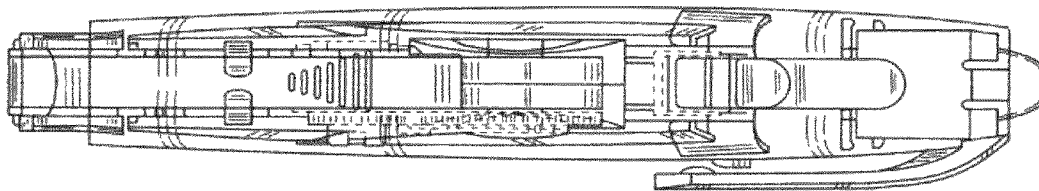


FIG. 6

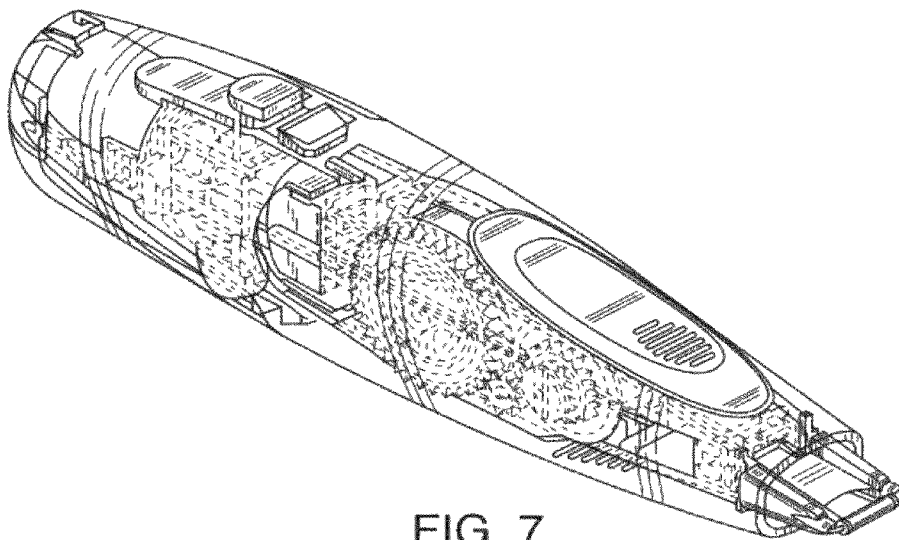


FIG. 7

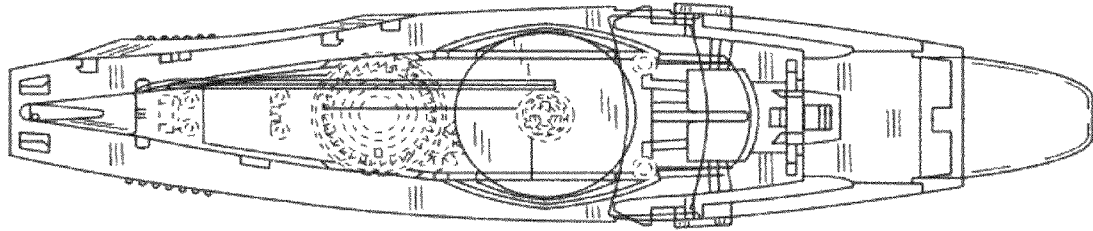


FIG. 8

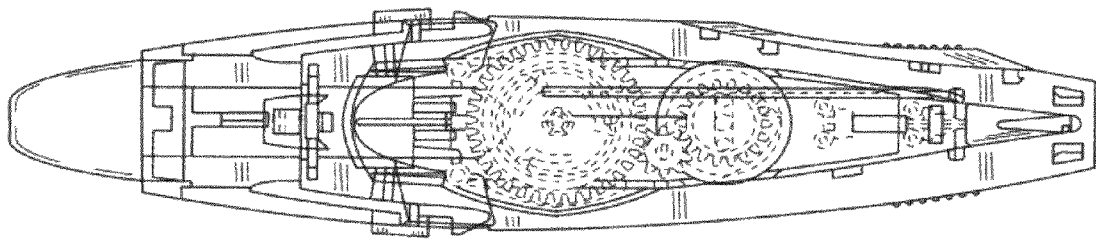


FIG. 9

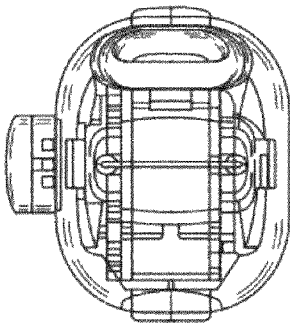


FIG. 10

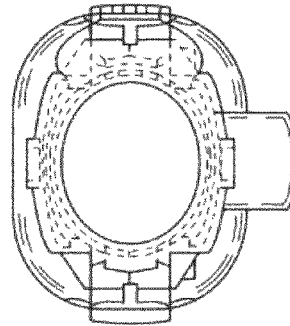


FIG. 11

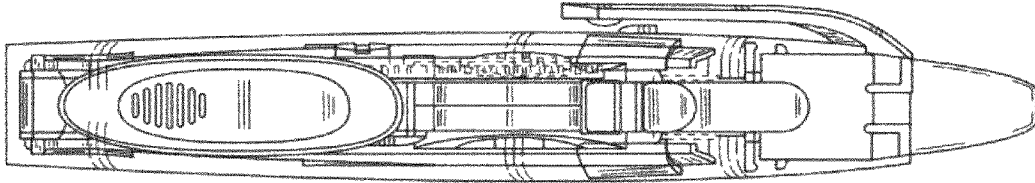


FIG. 12

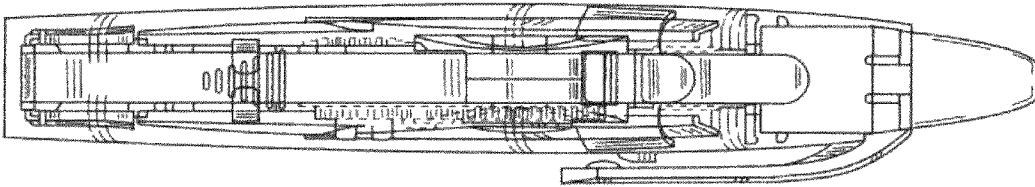


FIG. 13

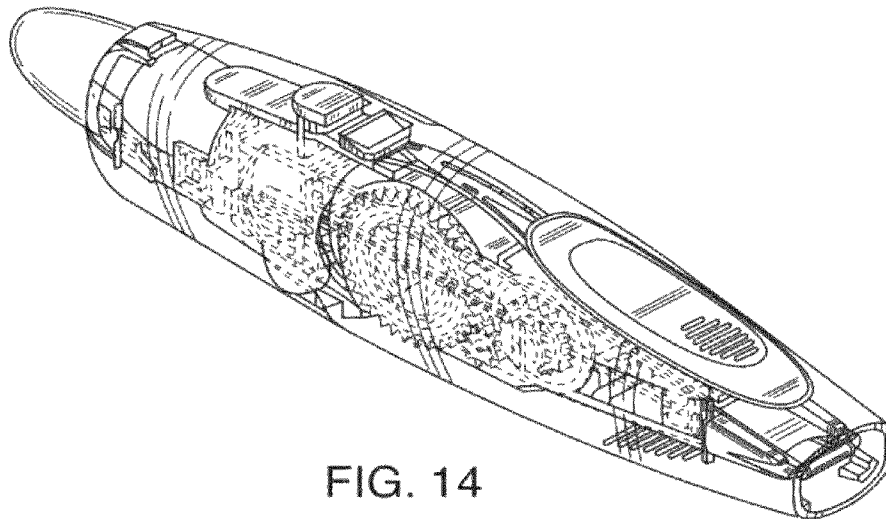


FIG. 14