

[54] GOLF CLUB PUTTER HEAD

4,248,430 2/1981 Kepler 273/169

[76] Inventors: Wayne P. Glennon, 12029 Linkcrest Dr., South, Fort Worth; Mack E. Taylor, 4020 Link Meadow Dr., Aledo, both of Tex. 76008

Primary Examiner—Melvin B. Feifer
Attorney, Agent, or Firm—Sand & Hudak

[**] Term: 14 Years

[57] CLAIM

The ornamental design for a golf club putter head, as shown and described.

[21] Appl. No.: 707,416

DESCRIPTION

[22] Filed: Mar. 1, 1985

[52] U.S. Cl. D21/217; D21/206

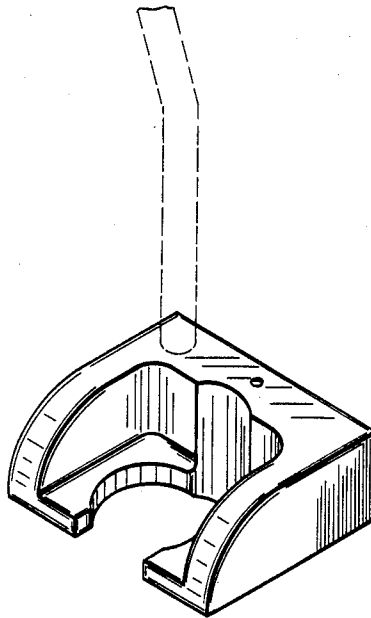
[58] Field of Search D21/214-220, D21/206; 273/167-175, 162 E, 164

FIG. 1 is a perspective view of a golf club putter head showing our new design with a broken line showing of a shaft portion for illustrative purposes only; FIG. 2 is a rear elevational view thereof; FIG. 3 is a right hand side view thereof with the left hand side view being the same; FIG. 4 is a top plan view thereof; FIG. 5 is a front elevational view thereof; and FIG. 6 is a bottom plan view thereof.

[56] References Cited

U.S. PATENT DOCUMENTS

D. 268,691 4/1983 Collins D21/217
3,632,112 1/1972 Jacobs 273/164



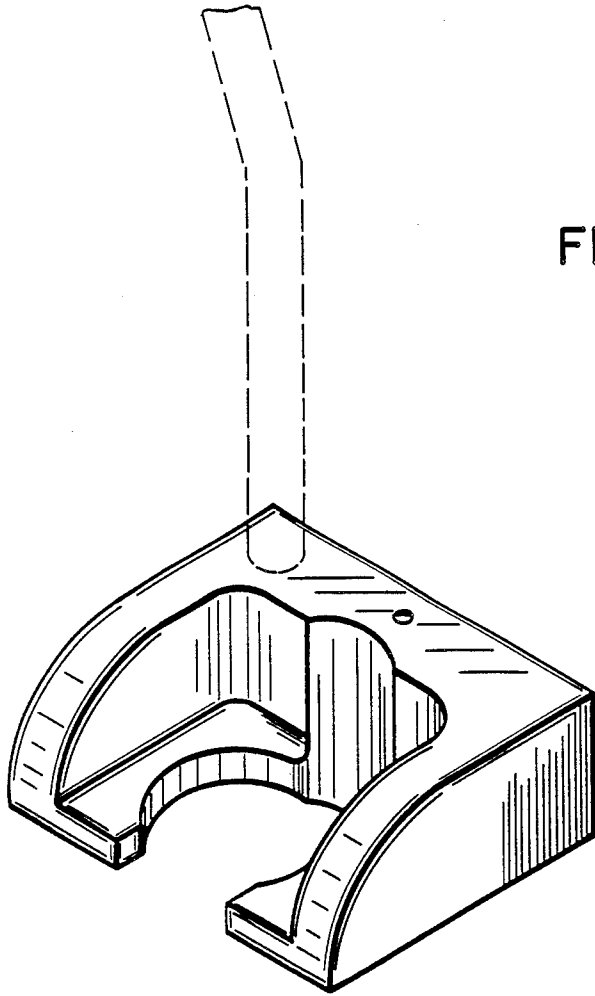


FIG. 1

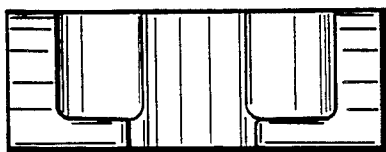


FIG. 2

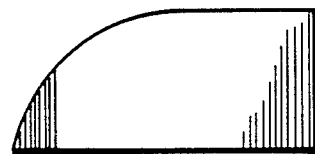


FIG. 3

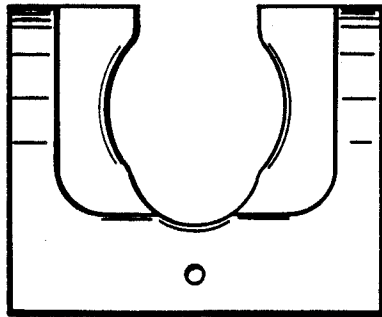


FIG. 4

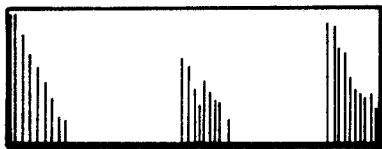


FIG. 5

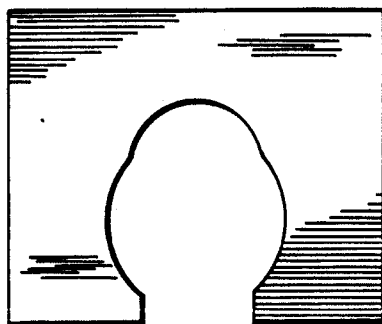


FIG. 6