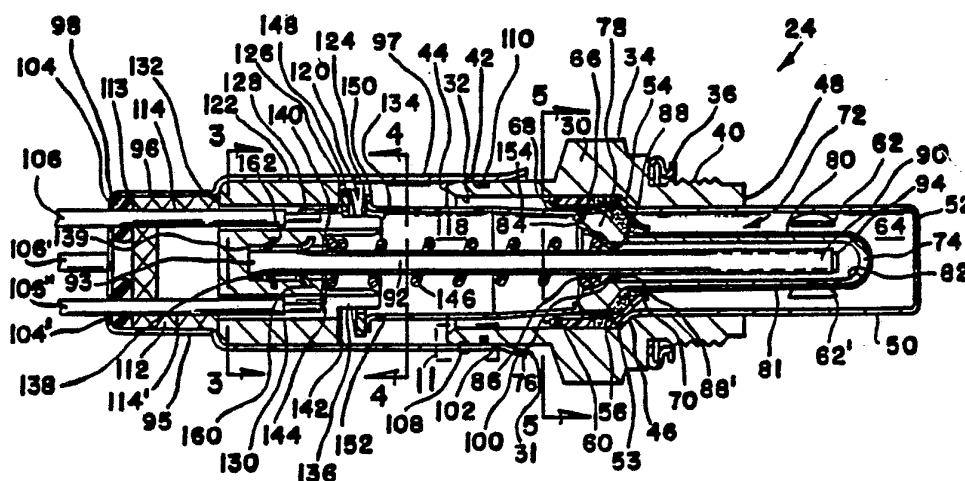




INTERNATIONAL APPLICATION PUBLISHED UNDER THE PATENT COOPERATION TREATY (PCT)

(51) International Patent Classification ⁴ : G01N 27/56	A1	(11) International Publication Number: WO 88/ 08128 (43) International Publication Date: 20 October 1988 (20.10.88)
<p>(21) International Application Number: PCT/US87/02273</p> <p>(22) International Filing Date: 8 September 1987 (08.09.87)</p> <p>(31) Priority Application Number: 037,360</p> <p>(32) Priority Date: 13 April 1987 (13.04.87)</p> <p>(33) Priority Country: US</p> <p>(71) Applicant: ALLIED CORPORATION [US/US]; Law Department (F.M. Leather), P.O. Box 2245-R, Morristown, NJ 07960 (US).</p> <p>(72) Inventors: WERTHEIMER, Harry, P. ; 7711 Westwood Road, Findlay, OH 45840 (US). MILLER, John, C. ; 1041 Rock Drive, Fostoria, OH 44830 (US). BARUA, Debojit ; 2024 Windsor Place, Findlay, OH 45840 (US). TYREE, Kenneth, S. ; 330 Clinton Avenue, Tiffin, OH 44883 (US).</p>	<p>(74) Agent: WINTER, Richard, C.; Allied Corporation, Law Department (F.M. Leather), P.O. Box 2245-R, Morristown, NJ 07960 (US).</p> <p>(81) Designated States: AT (European patent), BE (European patent), CH (European patent), DE (European patent), FR (European patent), GB (European patent), IT (European patent), JP, KR, LU (European patent), NL (European patent), SE (European patent).</p> <p>Published <i>With international search report.</i></p>	

(54) Title: HEATED O₂ SENSOR HAVING ISOLATED GROUND

(57) Abstract

An oxygen sensor (24) having an electrolyte member (72) with a thimble that is held in a metal shell (30) by an insulating member (56). The thimble has an external surface (80) and internal surface (82) that are coated with a conductive material. A sleeve (96) is attached to the metal shell (30) by spot welds (108) and a seal is established therebetween. A terminal member (120) located in sleeve (96) includes a first contact ring (142) that is connected by a spring (148) and cylinder (152) to the external surface (80) and a second contact ring (144) that is connected by a coil spring (146) to the internal surface (82). Terminals (164 and 164') carried by terminal member (120) hold a tubular housing (90) of a heater member (92). Tubular housing (90) has an end (94) that is located in the thimble of electrolyte member (72). When electrical current is supplied to heater member (92) the temperature of the thimble is maintained above a minimum operating temperature of the electrolyte member (72). The external surface (80) of member (72) is subjected to exhaust gases while a reference gas is transmitted to internal surface (82). Changes in ion flow are carried by leads (106 and 106') to a controller (20) to provide an indication of the oxygen in the exhaust gases.

FOR THE PURPOSES OF INFORMATION ONLY

Codes used to identify States party to the PCT on the front pages of pamphlets publishing international applications under the PCT.

AT Austria	GA Gabon	MR Mauritania
AU Australia	GB United Kingdom	MW Malawi
BB Barbados	HU Hungary	NL Netherlands
BE Belgium	IT Italy	NO Norway
BG Bulgaria	JP Japan	RO Romania
BR Brazil	KP Democratic People's Republic of Korea	SD Sudan
CF Central African Republic	KR Republic of Korea	SE Sweden
CG Congo	LI Liechtenstein	SN Senegal
CH Switzerland	LK Sri Lanka	SU Soviet Union
CM Cameroon	LU Luxembourg	TD Chad
DE Germany, Federal Republic of	MC Monaco	TG Togo
DK Denmark	MG Madagascar	US United States of America
FI Finland	ML Mali	
FR France		

HEATED O₂ SENSOR HAVING ISOLATED GROUNDBACKGROUND OF THE INVENTIONField of the Invention

The present invention is related to a gas constituent electrochemical sensor for sensing the concentration of oxygen in an unknown gas relative to a reference gas. This sensor has a tubular electrolyte thimble with an internal and external conductive coating connected to a control member. Changes in oxygen concentration in the gas as compared to the reference concentration creates an operational signal indicative of air/fuel ratio supplied to an engine. A heater member receives electrical current from the control member to maintain the temperature of the thimble above a minimum operational temperature. As a result, the operational signal is only dependent on the difference in the oxygen concentration between the unknown and reference gases.

Description of the Prior Art

It is known that a body of solid electrolyte, for example zirconium dioxide, which has one surface exposed to a reference oxygen concentration and a second surface exposed to an unknown oxygen concentration may generate an electrical potential between such surfaces. Examples of sensors which use such an electrolyte member may be found in U.S. Patent Nos. 3,960,692 and 3,960,693, which issued June 1, 1976, U.S. Patent No. 4,019,974 which issued April 26, 1977 and U.S. Patent No. Re. 28,792, which reissued April 27, 1976, the disclosures of which are incorporated herein by reference.

By coating the surface of the zirconium dioxide, or other solid electrolyte body with a catalytic material, such as platinum, a relatively high output signal can be generated whenever the combustion mixture is at an air/fuel ratio less than the stoichiometric mixture ratio for that fuel and a relatively low signal whenever the

- 2 -

mixture is at an air/fuel ratio greater than the stoichiometric mixture ratio for that fuel. Thus, a generally step function will be generated by the sensor as the air/fuel mixture ratio passes through stoichiometry from a relative low to high value.

Typically, the solid electrolyte, as illustrated in the above referenced patents, is formed in the shape of a closed ended tube or a thimble. The thimble is coated on the inside and outside with a porous metallic electrode material, for example, platinum or palladium. The exterior of the closed end tube or thimble is inserted into the exhaust system and exposed to the heated exhaust gas created by the combustion of gases within an internal combustion engine, or is exposed to the incoming air/fuel mixture, while the interior of the close ended tube or thimble is exposed to atmospheric conditions. Thus, the sensor generates a voltage that is proportional to the difference between the partial pressures of oxygen between the interior and exterior of the electrolyte thimble.

The outside surface of the thimble is usually connected to an electrical ground through the attachment of the housing of the sensor to the exhaust system. The exhaust system in turn is connected to the chassis of the vehicle to form one of the conductors for a sensor. This type electrical ground connection is illustrated by a clip disclosed in U.S. Patent No. 4,111,778.

Most vehicles use a multiplicity of electrical loads and as a result the electrical ground conductor for an oxygen sensor may have various electrical potential applied thereto and is practically never completely free of voltage variations. Unfortunately, the output signal as measured across the inner surface terminal of the sensor and outer surface terminal grounded to the vehicle may not be the true output from the sensor itself. The electrical loading characteristics and operational potential generated by the other electrical components of the

- 3 -

vehicle may therefore change the actual voltage signal as measured in the sensor and could interfere with proper operation of the control system setting of the air/fuel mixture to be supplied to the combustion chamber.

5 Thus, the composition of the exhaust gases being emitted from the engine could be adversely affected by this type of sensor construction.

U.S. Patent No. 4,019,974 attempted to overcome this problem with a positive ground crimped to a terminal
10 connected to the outside surface conductor. In this sensor, a resilient conductive mass of graphite is positioned around the thimble by a mass of insulating powder to provide an electrical path between the outside
15 conductive surface and terminal connector. Unfortunately this structure requires some complicated and expensive manufacturing in order to maintain the components in their spacial relationship to assure that an adequate and uninterrupted electrical flow path is produced between
20 the outside conductive surface and the electrical terminal.

Summary of the Invention

In order to simplify the structure of an oxygen sensor we have devised a method of manufacture whereby
25 module components are systematically joined together to develop a heated electrochemical sensor having an isolated ground.

In this sensor, a tubular electrochemical
30 thimble member is inserted into an isolated carrier member in a metal shell. The thimble has its internal and external surfaces coated with a conductive material. A sleeve has a closed end with a plurality of openings therein. Lead wires are brought through a filter located in the sleeve adjacent the openings. A first terminal
35 is attached to a first wire connected to a power source in a control member and a second terminal is attached to a second wire to establish an electrical ground in the control member. Third and fourth wires are also

carried through passages in a cylindrical member. A first contact ring is attached to the third wire and a second contact ring is attached to the fourth wire. The first contact ring is placed on an annular projection that extends from the cylindrical member and positioned on a first shoulder. A stepped axial bore extends through the projection into the cylindrical member. The second contact ring is placed in the stepped axial bore and positioned on a second shoulder. The annular projection in addition to electrically isolating the first and second contact rings forms a guide surface for a spring washer. The cylindrical member has first and second axial grooves located on its peripheral surface that extend to first and second radial offset slots. The radial slots extend at least into the stepped axial bore. The first and second terminal are thereafter pushed into the first and second radial slots, respectively. A tubular heater member inserted into the stepped axial bore has a first end with a first contact surface that engages the first terminal and a second contact that engages the second terminal. A coil spring is placed over the tubular heater and a contact cup located on the end of the coil spring. The contact cup has a series of prongs or projections that engage the surface of the tubular heater to hold the coil spring and position the tubular heater within the thimble of the sensor. A cylindrical contact extension has a first end with a flange thereon that is positioned on the annular projection of the terminal member. The heater is aligned with the interior of the tubular electrochemical member and a force is applied to bring a second end on the contact extension into contact with the internal surface of the carrier member while at the same time the contact cup is brought into engagement with the internal surface of the electrochemical sensor member. The spring washer and coil springs resiliently urge the terminal member away from the electrochemical sensor member to provide for an electrical flow path

between the internal and external surfaces of the electrochemical member and the control member. A series of spot welds join the sleeve to the metal shell.

Thereafter, the sleeve is heated to cause a brazing material to flow and form a seal for the joint between the sleeve and metal shell. In an alternate construction, a portion of the sleeve may be rolled into a groove in the metal shell to seal the joint.

An advantage of this oxygen sensor is achieved through the individual assembly of various components that are later joined together in a final assembly.

A further advantage of this oxygen sensor resides in the terminal structure which carries leads to both an electrochemical sensor member and an internal heater associated therewith.

A still further advantage of this oxygen sensor occurs since the sleeve which carries the terminal structure has a sealed joint with respect to a metal shell and as a result a reference gas must pass through a filter before entering into a reference chamber of an electrochemical member.

A still further advantage of this oxygen sensor is provided through the electrical ground connection for both an electrochemical member and a heater is in a control member to assure that an operational signal generated thereon represents a true comparison of an oxygen component in a mixture of exhaust gases with a reference gas.

These advantages and others should be apparent from reading the specification while viewing the drawings wherein:

Figure 1 is a schematic illustration of a vehicle engine with an electrochemical sensor, made according to this invention, located in an exhaust system to provide a fuel management system with an indication of the oxygen in exhaust gases; and

Figure 2 is a sectional view of the electrochemical sensor of Figure 1; and

Figure 3 is a sectional view taken along line 3-3 of Figure 2; and

Figure 4 is a sectional view taken along line 4-4 of Figure 2; and

5 Figure 5 is a sectional view taken along line 5-5 of Figure 2; and

Figure 6 is a perspective view of the terminal member of Figure 2; and

10 Figure 7 is a perspective view of the terminal spade for the heater lead of Figure 2; and

Figure 8 is a perspective view of the contact cup of Figure 2; and

15 Figure 9 is an enlarged sectional view of the leads for the terminal spades and contact rings in Figure 2; and

Figure 10 is an exploded view of the electrochemical sensor of Figure 2 illustrating a method whereby the individual components are joined together into a final assembly.

20 Figure 11 is a partial sectional view of an alternate seal between the metal shell and tubular sleeve for the sensor of Figure 2.

Detailed Description of the Invention

25 The internal combustion engine 16 shown in Figure 1 has an exhaust 18 system through which exhaust gases are transmitted from manifold 20 through pipe 22 to the surrounding environment. An electrochemical sensor 24 located in pipe 22 supplies controller 26 with an
30 indication of the oxygen content of the exhaust gases. The controller 26 provides an electronic fuel metering apparatus 28 with an operational signal to control the air/fuel ratio that is supplied to operate the engine 16.

35 Changes in the oxygen content in the exhaust gases are experienced by the electrochemical sensor 24 and transmitted to the controller 26 to maintain the air/fuel ratio signal to the metering apparatus 28 within set operational limits to provide for fuel economy in

addition to meeting clean air standards. Both the positive and negative leads for sensor 24 are connected to the controller 26 to prevent any changes in the electrical ground within the vehicle from affecting the operational signal generated from the changes of the oxygen content in the exhaust gases.

The oxygen sensor 24 is shown in more detail in Figures 2-9. Sensor 24 has a metal shell 30 with an axial bore 32 therein. A hexagonal surface 34 has a washer 36 that engages boss 38 when threads 40 are screwed into corresponding threads in the exhaust pipe 22. Metal shell 30 has a peripheral groove 42 adjacent a first end 44 and an internal annular shoulder 46 located between the first end 44 and a second end 48 in the axial bore 32.

A vented shield 50 has a first end 52 and a second end 53. The second end 53 has flange 54. The vented shield 50 is inserted in the axial bore 32 and flange 54 seated on shoulder 46. A plurality of openings 62, 62'...62ⁿ allow exhaust gases to be freely communicated into the interior 64 of the shield 50.

A support member 57 is placed in the axial bore 32 and engages flange 54. Thereafter a sealing and insulating ring 60, e.g. talc, is placed in the bore 32 adjacent flange 54 on the support member 57. An insulator spacer 56, a ceramic disc, is placed in the axial bore 32 and engages ring 60. Thereafter an element carrier 66 is located in bore 32, carrier 66 has a cylindrical body with a flange 68 on a first end and an inwardly projecting lip 70 on the other end. The cylindrical body of carrier 66 engages the insulator spacer 56 while lip 70 engages the talc ring 60.

The sensor element 72 is in the form of a tubular thimble and is made of an ion conductive solid electrolyte such as zirconium dioxide. The thimble has a closed end 74 and an opened end 76. An annular external rib 78 adjacent the opened end 76 engages the lip 70 on

- 8 -

the carrier 66. The external surface 80 and internal surface 82 of sensor element 72 are coated with a porous, electron conductive layer (e.g. platinum) to form a catalyst for gases which will be presented to these surfaces. A porous insulating protecting coating 81, e.g. spinel, is applied to the external surface 80. The internal and external surface coatings 80 and 82 are separated at the opened end 76 by an uncoated annular surface 84 to assure that separate electrical flow paths are established to permit ion flow through the thimble. The external conductive coating 80 contacts the carrier body 66 and extends the flow path past the insulator ring or spacer 56 and talc ring 60 while contact cup 86 as best shown in Figure 8, is located adjacent the opened end 76 to extend the interior surface coating 82 while still maintaining the isolation between the interior and exterior coatings. When an axial force is applied to the carrier 66, flange 68 compresses the talc ring 60 to form a seal with the metal shell 30 exterior surface 80 of thimble 72 and carrier 66.

The contact cup 86 as best shown in Figure 8 has a series of fingers or prongs 88, 88'...88ⁿ that extend from an annular base 87. Prongs 88, 88'...88ⁿ engage tubular member 90 on a heater member 92 to hold the end 94 of the heater 92 in approximately the radial center of the interior of the thimble 72 as shown in Figure 5.

A sleeve 96 has a closed end 98 and an opened end 100. The sleeve 96 has a flare 102 on the opened end 100 and a plurality of openings 104, 104'...104ⁿ in the closed end 98. A first diameter section 95 of sleeve 96 is offset from a second diameter section 97 by a shoulder 106. A series of spot welds 108 join the sleeve 96 to the metal shell 30. Thereafter a brazing material 110 in groove 42 is heated to a temperature such that it flows and forms a water and air tight seal adjacent the opened end 100.

A porous filter material 112 sold under the

trade name of Zitex by Norton Chemplast, or an equivalent material which allows air to flow through while excluding water, is located in sleeve 96. A rubber gasket 113 is located between openings 104, 104'...104ⁿ in the end 98 of sleeve 96 and the filter 112. The rubber gasket 113 has a central opening 115 and a series of axial openings 117, 117'...117ⁿ which correspond with a series of axial openings 114, 114'...114ⁿ in filter material 112. Lead wires 106, 106'...106ⁿ extend through the openings 104, 104'...104ⁿ, 117, 117'...117ⁿ and 114, 114'...114ⁿ into the interior of the sleeve 96. The rubber gasket 113 located between end 98 and the filter 112 has sufficient resiliency to form a tight seal with the sleeve 96 and the insulating coating on leads 106, 106'...106ⁿ while at the same time it a center opening which allows air to be presented to filter 112 for communication to chamber 118. Because of the physical properties of filter 112 only dry reference air is presented to chamber 118.

A terminal member 120, as best shown in Figures 2, 3, 6 and 10, has a first diameter section 122 separated from a second diameter section 124 by a shoulder 126. First and second axial passages 128 and 130 extend from a first end 132 to a second end 134. A blind axial stepped bore 138 extends from the second end 134 toward the first end 132. An axial slot 136 in the terminal member 120 extends from the second end 134 to a shoulder 140. A first contact ring 142 attached to lead 106 is located on shoulder 140. A coil spring 146 which surrounds tubular heater 92 and forms an electrical flow path between contact ring 144 and cup 86. A spring washer 148 surrounds the second diameter section 124 and acts on contact ring 142 and flange 150 on carrier extension member 152. Carrier extension member 152 has a taper 154 on the end thereof which engages both the interior of carrier 66 and the opened end 76 of thimble of sensor element 72. Spring washer 148 provides for an electrical flow path whereby

- 10 -

the external conductive surface 80 on sensor 72 is connected to lead 106.

5 Terminal member 120 has first and second grooves 156 and 158 on the periphery of the first diameter section 122 that extend to a first radial slot 160 that extends along a diameter which is at substantially a right angle to a plane through passages 128 and 130. A second slot 162 is parallel to the first slot 160. Slots 160 and 162 while shown extending clear through the first diameter section 122 may under some circumstances only extend to bore 138. Under normal operating conditions grooves 156 and 158, and slots 160 and 162, holes 128 and 130 act as flow paths for the communication of air from filter 112 into chamber 118.

15 Terminal or contact member 164, see Figure 7, has a flat surface 166 with a leg 168 extending therefrom. A central opening 170 is located on the flat surface 166 and has prongs or fingers 172, 172'...172ⁿ that extend therefrom. Lead wires 106' is attached to leg 168 and flat surface 166 is inserted into slots 160. When leg 168 engages the bottom of groove 156, opening 170 is located in the axial center of stepped bore 138. Similarly lead wire 106ⁿ is attached to a second terminal 164' and inserted into slot 162. When leg 168' engages the bottom of groove 158, opening 170' is located in the radial center of stepped bore 138.

30 Heater 92, which is of the resistance type, has a first contact area 161 and a second contact area 163 as shown in figure 10. When end 93 of the tubular member 90 of heater 92 engages the bottom 139 of bore 138, the first contact area 161 engages prongs 172, 172'...172ⁿ on terminal 164' and the second contact area 163 engages prongs 172, 172'...172ⁿ on terminal 164 to complete an electrical circuit from controller 26. In addition to establishing an electrical circuit for heater 92, the prongs on terminal 164 and 164' resiliently engage the tubular member 90 to hold end 94 at desired position with

respect to end 74 of the thimble of sensor 72.

Each of the leads 106, 106'...106ⁿ is made up of several strands of individual wires. As shown in Figure 9, at first group of wires 174 are wound in a clockwise direction while a second group of wires 176 are wound in a counterclockwise direction. As can be seen, a spiral space is formed between the first and second wires 174 and 176. A plastic cover 178 is placed on the outside of the wires 176 to prevent an electrical short from affecting transmission between the controller 26 and sensor 24. Further, this spiral space between the wires 174 and 176 provides an additional flow path for the communication of air (reference gas) to chamber 118.

Method of Assembly of the Invention

The exploded view of sensor 24 seen in figure 10 illustrates a preferred method of assembly of the individual component parts to create the heated and externally grounded electrolyte sensor for use in determining the oxygen content in the exhaust of an internal combustion engine.

In this assembly, a metal shell 30 is selected from a supply and a ring of brazing material 110 placed in a groove 42.

Thereafter a vented shield 50 is inserted in bore 32 in shell 50 until flange 54 engages shoulder 46. A support 57 is inserted in bore 32 and positioned against flange 54. A talc sealing ring 60 is placed in bore 32 adjacent support member 57 and an insulating ring 56 placed on the talc sealing ring 60.

A first carrier member 66 is then inserted in bore 32 and flange 68 brought into engagement with the insulating ring 56. A tool is inserted into bore 32 and acts on flange 68 and rib 78 to compress the talc ring and establish a seal between the thimble 72, metal shell 30 and carrier 66. Under some circumstances metal gasket may be required between rib 78 and lip 70 to form a good

- 12 -

electrical connection and gas seal between surface 30 and carrier 66.

5 The closed end 74 of sensor element 72 is inserted into carrier member 66. External rib 78 engages the interior surface 69 of carrier member 66 to form an electrical connection with the external surface coating 80.

10 Thereafter a carrier extension member 152 is located in bore 32 and forced into surface 69 on carrier member 66 until it engages rib 78 on the sensor 72.

15 The assembly of the terminal end of the sensor element 24 starts by pulling leads 106, 106'ⁿ...106'ⁿ through openings 104, 104'ⁿ...104'ⁿ in closed end 98 of sleeve 96, openings 117, 117'ⁿ...117'ⁿ in rubber gasket 113 and openings 114, 114'ⁿ...114'ⁿ in filter 112 located in sleeve 96 adjacent the closed end 98.

A first terminal 164 is attached to the end of lead wire 106' and a second terminal 164' is attached to lead wire 106'ⁿ.

20 Leads 106 and 106'' are pulled through passages 128 and 130 in terminal member 120 and contact rings 142 and 144 attached thereto. Lead 106'' is pulled to seat contact ring 144 on shoulder 140 in bore 138. Similarly 25 lead 106 is pulled to seat contact ring 142 onto shoulder 126.

Thereafter, the first terminal 164 is inserted into slot 160 and the second terminal 164' is inserted into slot 162.

30 End 93 of tubular heater 92 is inserted in bore 138 and is resiliently engaged by prongs on terminals 164 and 164'. When end 93 contacts the bottom 139 of bore 138, surface areas 161 and 163 on tubular member 90 will be in contact with prongs 172 of terminals 164 and 164' 35 to form a complete electrical current with leads 106' and 106'ⁿ. Thereafter, wave or washer spring 148 is placed on cylindrical surface 124 and positioned adjacent contact ring 142.

- 13 -

Coil spring 146 is placed over the tubular member 90 and end 145 brought into engagement with contact ring 144. A contact cup 86 is placed on the tubular surface 90 and brought into position adjacent end 147 of the coil spring 146. Prongs 88 on cup 86 resilient engage the tubular surface so that the coil spring does not fall off if the terminal section is placed in a vertical position with the heater member 92 pointing toward the ground.

We now have essentially two individual assemblies which are to be joined together to produce sensor 24.

Sleeve assembly 96 and shell assembly 30 are brought together as end 94 on heater 92 is aligned with bore 81 of the thimble sensor 72. Contact cup 86 engages the interior surface of the opened end 76 of the sensor 72 and sleeve 96 engages end 42 of metal shell 30 as end 94 is moved into bore 81. A predetermined force, which moves the sleeve 96 and shell 30 together, is maintained while spot welds 108 are made to join the parts together. As these parts are moved together, spring washer 148 acts on carrier extension 152 to hold tapered end 154 into engagement with surface 69 of carrier 66 and link external conductive coating 80 on the thimble of sensor 72 with controller 26. At the same time spring 146 moves contact cup 86 into engagement with the interior conductive surface 82 to provide a link with ground terminal 27 in controller 26.

After the sleeve 96 and shell 30 are joined together by spot welds 108, flared flange 102 is subjected to heat which causes brazing material 110 to flow and seal the joint therebetween. Visual inspection of the surface 31 on metal shell 30 can determine if a seal has been achieved with the brazing material 110.

Under some circumstances, the brazing can be replaced by crimping. In this situation, after sleeve 96 is spot welded to metal shell 30, the sensor 24 is transported to a station where a force is applied to a tool

which acts on surface 96 to crimp surface 196 into groove 110 and provide a water tight seal therebetween. This design may be more economical since the flare 110 on sleeve 96 and the brazing material 110 is not needed.

5

Method of Operation of the Invention

When the internal combustion engine 16 is operating, exhaust gases are produced and carried by pipe 22 to the environment. With sensor 24 installed in pipe 22, the exhaust gases are communicated through openings 62, 62' in shield 50 to chamber 64.

10

Air from the environment is carried through filter 112 to chamber 118 and to the interior coating 82 of the thimble of sensor 72.

15

Electrical current from controller 26 is carried on leads 106' and 106ⁿ to heater member 92. The resistance of heater member 92 is such that the temperature of the thimble is maintained above its minimum operating temperature which for zirconium dioxide is above 350°C.

20

With changes in the ion flow between exterior conductive surface 80 and interior conductive surface 82, an operational signal is carried on lead 106 to controller 26. Since lead 106" is electrically grounded through controller, the operational signal is an accurate measure of a change in ion flow. The controller 26 evaluates the ion flow signal and generates an operational signal which controls the air/fuel ratio supplied to engine 16 to maintain the exhaust gases within desired operational standards.

25

30

35

- 15 -

CLAIMS

We claim:

1. A heated oxygen sensor comprising:
 - a shell having an axial bore therethrough;
 - a sleeve attached to said shell and having a
 - 5 closed end, said closed end having a plurality of openings;
 - a cylindrical shield having a first flange that engages a first shoulder on said shell, said shield having a plurality of openings which allow unrestricted
 - 10 communication to the interior of the shield;
 - sealing means located adjacent said first flange;
 - a first cylindrical carrier member having a, first end with second flange thereon that engages said sealing means and a second end with a lip thereon;
 - 15 a tubular electrolyte thimble having a closed end and an opened end with an annular external rib located adjacent said opened end, said thimble having an external conductive coating and an internal conductive coating, said rib engaging said lip to extend an
 - 20 electrical flow path from said external conductive coating;
 - a contact cup in contact with said internal conductive coating;
 - 25 a terminal member located in said sleeve having an annular projection extending therefrom with a stepped axial bore that extends through the annular projection into the terminal member to define an external ledge, an internal ledge and a stop in the terminal member, said
 - 30 terminal member having first and second radial slots that extend from the external surface to at least the stepped axial bore;
 - a first terminal located in said first slot;
 - a second terminal located in said second slots;
 - 35 a heater member located in said stepped axial bore having a first and second end, said first end having first and second contacts which engage said first and

second terminal when said first end is located against said stop, said second end extending through said contact cup into the interior of said electrolyte thimble;

5 a first contact ring located on said internal ledge;

a first spring biased between said first contact ring and contact lip to extend the electrical flow path from the internal conductive coating;

10 a second contact ring located on said external ledge;

a second cylindrical carrier member having a first end and a second end, said second end engaging said first end of said first cylindrical carrier member to further extend said electrical flow path into said second cylindrical carrier member;

15 a second spring biased between said the first end of said second cylindrical carrier member and second contact ring to extend the electrical flow path from the external conductive coating; and

20 control means having a first lead connected to said first terminal and a second lead connected to said second terminal of said tubular heater member, a third lead connected to said first contact ring and a fourth lead connected to said second contact ring, said first and third leads being connected to an electrical grounds in the control means, said second lead responding to an operational signal for carrying an electrical voltage to said heater member whereby at least the interior of the electrolyte thimble is maintained above a set
30 temperature, said fourth lead carrying an operational signal produced by a change in the electrical voltage produced by the reaction of the electrolyte thimble to the difference between the partial pressure of oxygen
35 between the interior and exterior of the tubular electrolyte thimble.

2. The heated oxygen sensor as recited in claim 1 further including:

filter means located in said sleeve, said filter allowing air to enter into said interior of said tubular electrolyte thimble but preventing water from entering which could affect the generation of said operational signal.

3. The heated oxygen sensor, as recited in claim 2 wherein said contact cup includes:

a plurality of projections that engage said tubular heater member to align said second end in approximately the radial center of said electrolyte thimble.

4. The heated oxygen sensor as recited in claim 3 further including:

sealing means located between said shell and sleeve to prevent water from entering into the interior of the electrolyte thimble.

5. The heated oxygen sensor as recited in claim 4 wherein each of said first and second terminals include:

a base member with a central opening;
a leg that perpendicularly projects from said base; and

a plurality of prongs that extend from the circumference of the central opening, said first end of the tubular heater being engaged by said plurality of prongs and positioned in alignment with said contact cup when said leg is positioned in a slot in the terminal member.

6. The heated oxygen sensor as recited in claim 5 wherein said heater member includes:

a resistance member located adjacent said second end to assure that the generation of heat therefrom by the voltage is concentrated in the interior of the electrolyte thimble.

7. The heated oxygen sensor, as recited in claim 6 wherein said second cylindrical carrier member includes:

5 a taper on said second end which is resiliently urged into engagement with the first end of the first cylindrical carrier, said taper assuring the creation of a good electrical connection between said first and second cylindrical carrier members.

10 8. The heated oxygen sensor, as recited in claim 7 wherein said resistive member maintains the interior of said tubular thimble at a temperature above the minimum operating temperature of the electrolyte member.

15 9. The heated oxygen sensor as recited in claim 8 wherein each of said first, second, third and fourth leads include:

a first plurality of wires wound in a first direction to produce a first strand; and

20 a second plurality of wires wound in an opposite second direction around said first strand to produce a second strand, said second strand being separated from said first strand by a spacial flow path, said air from the environment being communicated to said interior of
25 the tubular thimble along said spacial flow path in addition to the air flow through said filter means.

30

35

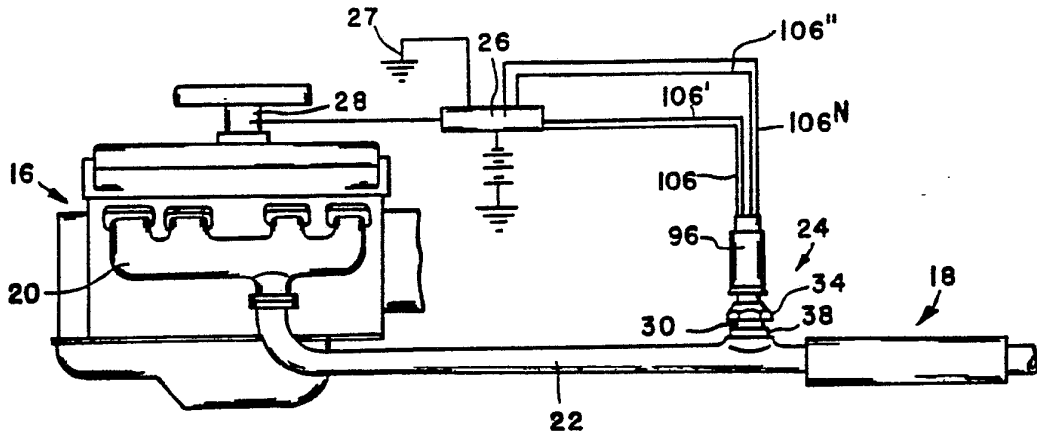


FIG. 1

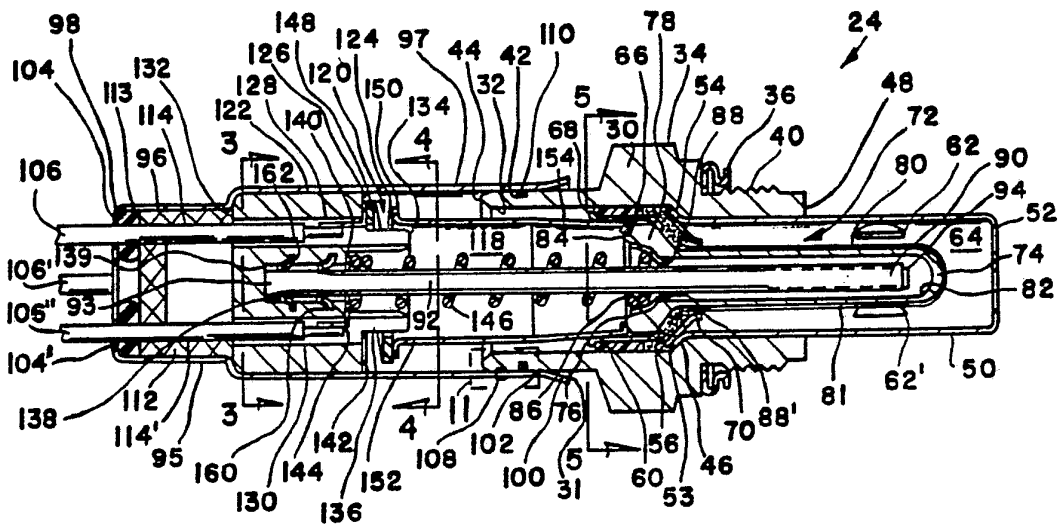


FIG. 2

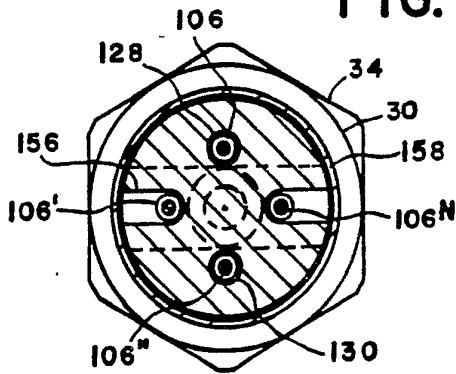


FIG. 3

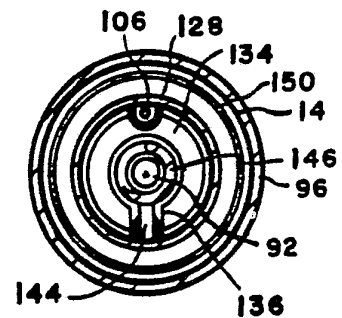


FIG. 4

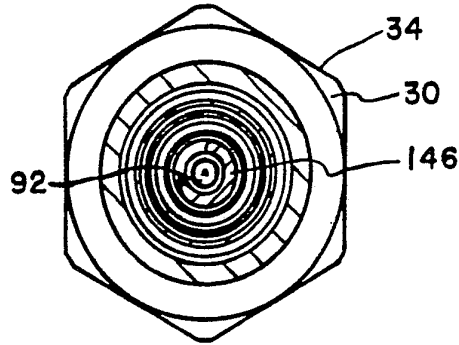


FIG. 5

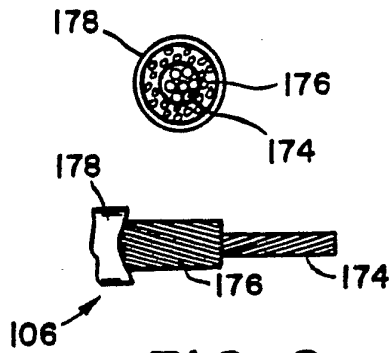


FIG. 9

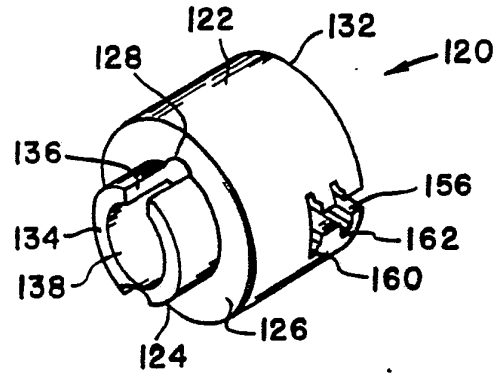


FIG. 6

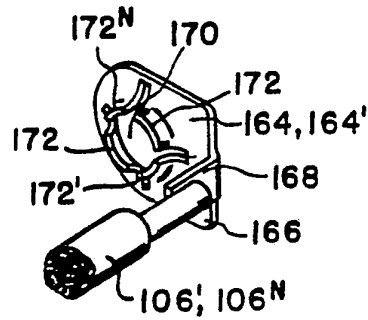


FIG. 7

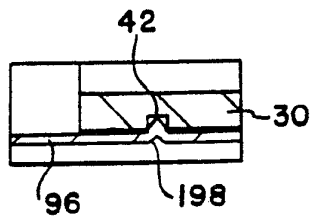


FIG. 11

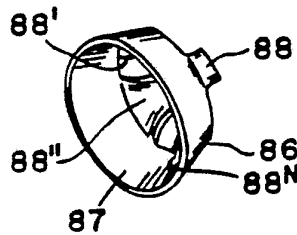


FIG. 8

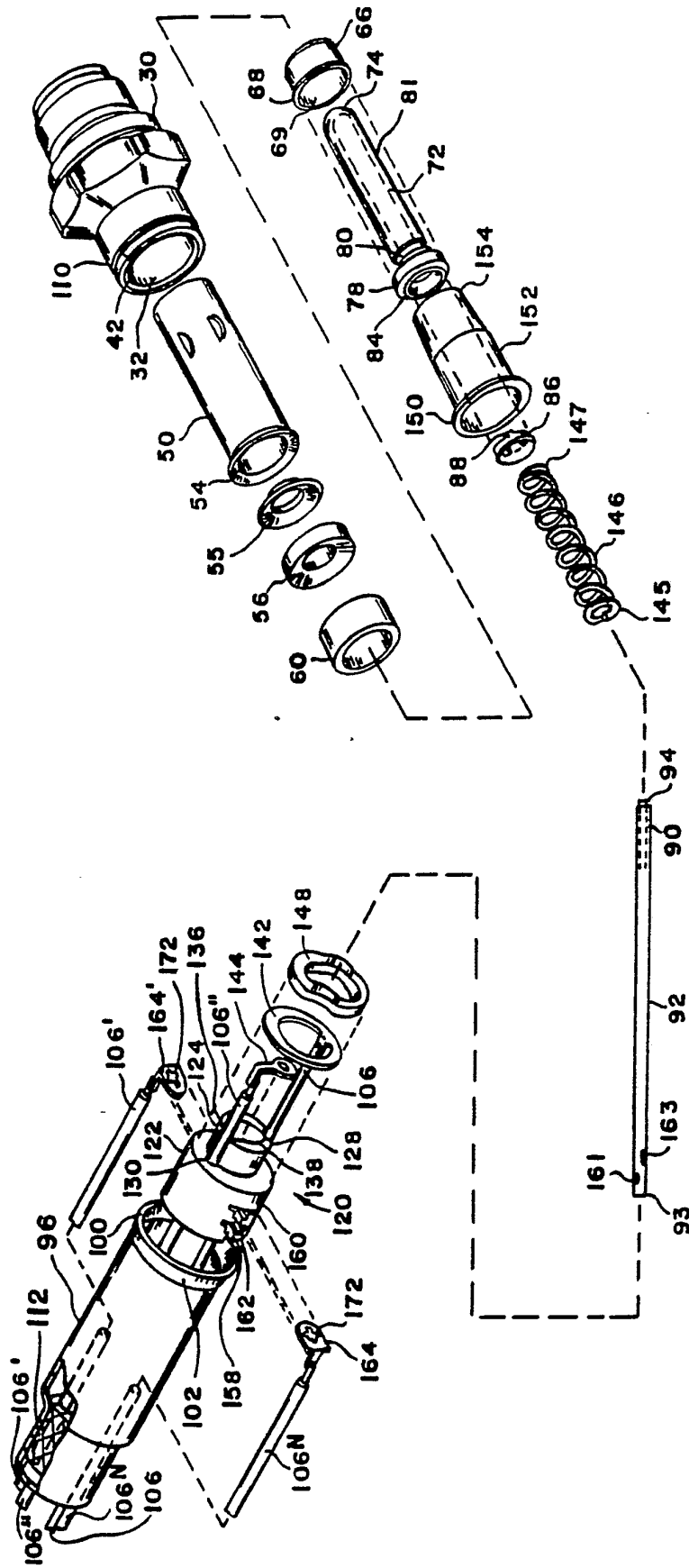
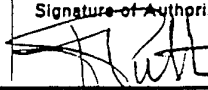


FIG. 10

INTERNATIONAL SEARCH REPORT

International Application No

PCT/US 87/02273

I. CLASSIFICATION OF SUBJECT MATTER (if several classification symbols apply, indicate all) ⁶		
According to International Patent Classification (IPC) or to both National Classification and IPC		
IPC ⁴ : G 01 N 27/56		
II. FIELDS SEARCHED		
Minimum Documentation Searched ⁷		
Classification System	Classification Symbols	
IPC ⁴	G 01 N	
Documentation Searched other than Minimum Documentation to the Extent that such Documents are Included in the Fields Searched ⁸		
III. DOCUMENTS CONSIDERED TO BE RELEVANT⁹		
Category ⁹	Citation of Document, ¹¹ with indication, where appropriate, of the relevant passages ¹²	Relevant to Claim No. ¹³
Y	DE, A, 3506327 (NGK INSULATORS) 5 September 1985 see claims; figures --	1
Y	US, A, 4569748 (M. YA MA KAWA) 11 February 1986 see abstract; claims; figures --	1
A	DE, A, 3041581 (TOYOTA JIDOSHA KOGYO) 1 October 1981 --	
A	US, A, 3844920 (R.R. BURGETT) 29 October 1974 --	
A	FR, A, 2396292 (R. BOSCH) 26 January 1979 --	
A	FR, A, 2299643 (R. OSCH) 27 August 1976 --	
A	US, A, 4111778 (D.C. DAVIS) 5 September 1978 cited in the application -----	
<p>¹⁰ Special categories of cited documents:</p> <p>"A" document defining the general state of the art which is not considered to be of particular relevance</p> <p>"E" earlier document but published on or after the international filing date</p> <p>"L" document which may throw doubts on priority claim(s) or which is cited to establish the publication date of another citation or other special reason (as specified)</p> <p>"O" document referring to an oral disclosure, use, exhibition or other means</p> <p>"P" document published prior to the international filing date but later than the priority date claimed</p> <p>"T" later document published after the international filing date or priority date and not in conflict with the application but cited to understand the principle or theory underlying the invention</p> <p>"X" document of particular relevance; the claimed invention cannot be considered novel or cannot be considered to involve an inventive step</p> <p>"Y" document of particular relevance; the claimed invention cannot be considered to involve an inventive step when the document is combined with one or more other such documents, such combination being obvious to a person skilled in the art.</p> <p>"&" document member of the same patent family</p>		
IV. CERTIFICATION		
Date of the Actual Completion of the International Search	Date of Mailing of this International Search Report	
11th December 1987	26 JAN 1988	
International Searching Authority	Signature of Authorized Officer	
EUROPEAN PATENT OFFICE	 P.C.G. VAN DER PUTTEN	

ANNEX TO THE INTERNATIONAL SEARCH REPORT
ON INTERNATIONAL PATENT APPLICATION NO.

US 8702273

SA 18741

This annex lists the patent family members relating to the patent documents cited in the above-mentioned international search report. The members are as contained in the European Patent Office EDP file on 11/01/88. The European Patent Office is in no way liable for these particulars which are merely given for the purpose of information.

Patent document cited in search report	Publication date	Patent family member(s)	Publication date
DE-A- 3506327	05-09-85	JP-A- 62216773	24-09-87
US-A- 4569748	11-02-86	JP-A- 60210612	23-10-85
DE-A- 3041581	01-10-81	None	
US-A- 3844920	29-10-74	FR-A, B 2251821 DE-A, B, C 2452924 CA-A- 1004731 JP-A- 50106691	13-06-75 19-06-75 01-02-77 22-08-75
FR-A- 2396292	26-01-79	DE-A- 2729475 US-A- 4155827 JP-A- 54013396	11-01-79 22-05-79 31-01-79
FR-A- 2299643	27-08-76	DE-A, B, C 2504206 US-A- 4019974 JP-A- 51103494 SE-A- 7600941 SE-B- 428331	05-08-76 26-04-77 13-09-76 02-08-76 20-06-83
US-A- 4111778	05-09-78	GB-A, B 2009412 FR-A, B 2410822 DE-A- 2848847 JP-A- 54085798 AU-A- 4115578 CA-A- 1107350 AU-B- 516508 SE-A- 7812458	13-06-79 29-06-79 13-06-79 07-07-79 08-05-80 18-08-81 04-06-81 06-06-79