

(19) World Intellectual Property Organization
International Bureau



(10) International Publication Number
WO 2010/142470 A3

(43) International Publication Date
16 December 2010 (16.12.2010)

- (51) International Patent Classification:
F03D 1/04 (2006.01) *F03D 1/06* (2006.01)
- (21) International Application Number:
PCT/EP2010/050735
- (22) International Filing Date:
22 January 2010 (22.01.2010)
- (25) Filing Language: English
- (26) Publication Language: English
- (30) Priority Data:
20092276 12 June 2009 (12.06.2009) NO
- (71) Applicant (for all designated States except US): **IN-NOWIND AS** [NO/NO]; Energiveien 16, N-4056 Tananger (NO).
- (72) Inventor; and
- (75) Inventor/Applicant (for US only): **WAARSETH-JUNGE, Johannes** [NO/NO]; Nyvollveien 36, N-4070 Randaberg (NO).
- (74) Agent: **COWARD, Bjarne**; Protector Intellectual Property Consultants As, Oscarsgate 20, N-0352 Oslo (NO).
- (81) Designated States (unless otherwise indicated, for every kind of national protection available): AE, AG, AL, AM,

AO, AT, AU, AZ, BA, BB, BG, BH, BR, BW, BY, BZ, CA, CH, CL, CN, CO, CR, CU, CZ, DE, DK, DM, DO, DZ, EC, EE, EG, ES, FI, GB, GD, GE, GH, GM, GT, HN, HR, HU, ID, IL, IN, IS, JP, KE, KG, KM, KN, KP, KR, KZ, LA, LC, LK, LR, LS, LT, LU, LY, MA, MD, ME, MG, MK, MN, MW, MX, MY, MZ, NA, NG, NI, NO, NZ, OM, PE, PG, PH, PL, PT, RO, RS, RU, SC, SD, SE, SG, SK, SL, SM, ST, SV, SY, TH, TJ, TM, TN, TR, TT, TZ, UA, UG, US, UZ, VC, VN, ZA, ZM, ZW.

(84) Designated States (unless otherwise indicated, for every kind of regional protection available): ARIPO (BW, GH, GM, KE, LS, MW, MZ, NA, SD, SL, SZ, TZ, UG, ZM, ZW), Eurasian (AM, AZ, BY, KG, KZ, MD, RU, TJ, TM), European (AT, BE, BG, CH, CY, CZ, DE, DK, EE, ES, FI, FR, GB, GR, HR, HU, IE, IS, IT, LT, LU, LV, MC, MK, MT, NL, NO, PL, PT, RO, SE, SI, SK, SM, TR), OAPI (BF, BJ, CF, CG, CI, CM, GA, GN, GQ, GW, ML, MR, NE, SN, TD, TG).

Declarations under Rule 4.17:

- as to applicant's entitlement to apply for and be granted a patent (Rule 4.17(ii))
- of inventorship (Rule 4.17(iv))

Published:

- with international search report (Art. 21(3))

[Continued on next page]

(54) Title: WIND TURBINE DEVICE

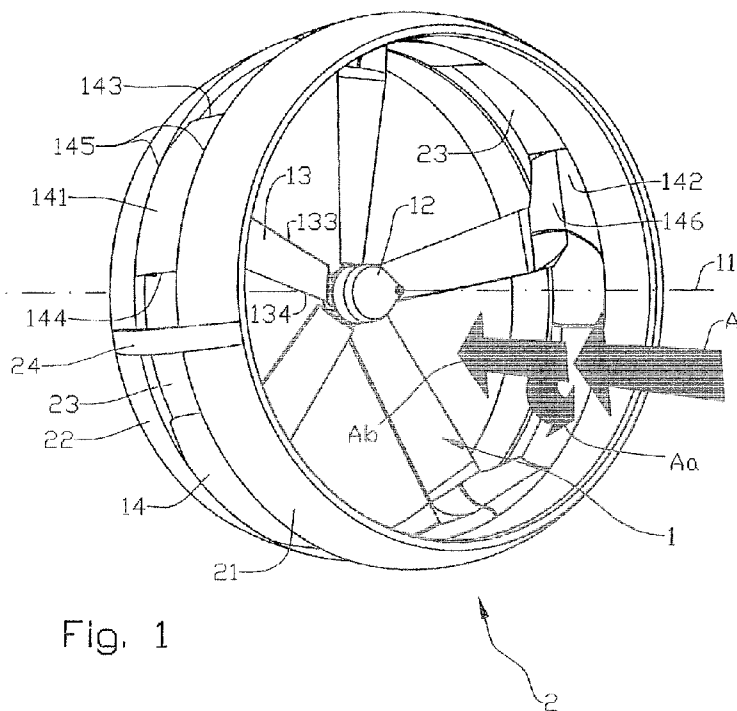


Fig. 1

(57) Abstract: Wind turbine device comprising a rotor (1) provided with multiple rotor blades (13), wherein the rotor (1) is circumferentially encircled by a casing (2) including a forward and a rear casing section (21, 22) positioned mutually spaced having a spacing provided as an annular slit (23); and at least some of the rotor blades (13) in their outer end portions are provided with a rotor wing (14) arranged to fill a substantial part of the axial extent of the slit (23); as a forward and a rear casing section (21, 22) together with the rotor wing (14) forms a curved wing profile having a convex external surface (141, 211, 221) interrupted by the rotor wings (14) being arranged mutually circumferentially spaced.

WO 2010/142470 A3





— *before the expiration of the time limit for amending the claims and to be republished in the event of receipt of amendments (Rule 48.2(h))*

(88) Date of publication of the international search report:
30 June 2011

INTERNATIONAL SEARCH REPORT

International application No
PCT/EP2010/050735

A. CLASSIFICATION OF SUBJECT MATTER
 INV. F03D1/04 F03D1/06
 ADD.
 According to International Patent Classification (IPC) or to both national classification and IPC

B. FIELDS SEARCHED
 Minimum documentation searched (classification system followed by classification symbols)
 F03D

Documentation searched other than minimum documentation to the extent that such documents are included in the fields searched

Electronic data base consulted during the international search (name of data base and, where practical, search terms used)
 EPO-Internal

C. DOCUMENTS CONSIDERED TO BE RELEVANT

| Category* | Citation of document, with indication, where appropriate, of the relevant passages | Relevant to claim No. |
|-----------|--|-----------------------|
| A | US 4 415 306 A (COBDEN KENNETH J [AU]) 15 November 1983 (1983-11-15) columns 1-3 figures 1-4 | 1-8 |
| A | ----- EP 1 640 605 A1 (RYUKYU ELECTRIC POWER CO LTD [JP]) 29 March 2006 (2006-03-29) paragraphs [0018] - [0039] figure 1 ----- | 1-8 |

Further documents are listed in the continuation of Box C.

See patent family annex.

* Special categories of cited documents :

- "A" document defining the general state of the art which is not considered to be of particular relevance
- "E" earlier document but published on or after the international filing date
- "L" document which may throw doubts on priority claim(s) or which is cited to establish the publication date of another citation or other special reason (as specified)
- "O" document referring to an oral disclosure, use, exhibition or other means
- "P" document published prior to the international filing date but later than the priority date claimed

- "T" later document published after the international filing date or priority date and not in conflict with the application but cited to understand the principle or theory underlying the invention
- "X" document of particular relevance; the claimed invention cannot be considered novel or cannot be considered to involve an inventive step when the document is taken alone
- "Y" document of particular relevance; the claimed invention cannot be considered to involve an inventive step when the document is combined with one or more other such documents, such combination being obvious to a person skilled in the art.
- "&" document member of the same patent family

| | |
|--|--|
| Date of the actual completion of the international search 11 May 2011 | Date of mailing of the international search report 18/05/2011 |
|--|--|

| | |
|--|--|
| Name and mailing address of the ISA/ European Patent Office, P.B. 5818 Patentlaan 2 NL - 2280 HV Rijswijk Tel. (+31-70) 340-2040, Fax: (+31-70) 340-3016 | Authorized officer de la Loma, Andrés |
|--|--|

INTERNATIONAL SEARCH REPORT

Information on patent family members

International application No

PCT/EP2010/050735

| Patent document cited in search report | Publication date | Patent family member(s) | Publication date |
|---|---------------------|----------------------------|---------------------|
| US 4415306 | A | NONE | |
| EP 1640605 | A1 | NONE | |