

(19) World Intellectual Property Organization
International Bureau



(43) International Publication Date
30 September 2004 (30.09.2004)

PCT

(10) International Publication Number
WO 2004/084159 A3

(51) International Patent Classification⁷: **G09F 3/10**

(21) International Application Number:
PCT/US2004/008065

(22) International Filing Date: 18 March 2004 (18.03.2004)

(25) Filing Language: English

(26) Publication Language: English

(30) Priority Data:
10/391,716 18 March 2003 (18.03.2003) US

(71) Applicant (for all designated States except US): **SANDEL MEDICAL INDUSTRIES LLC** [US/US]; 9540 DeSoto Avenue, Chatsworth, CA 91311 (US).

(72) Inventors; and

(75) Inventors/Applicants (for US only): **SANDEL, Dan** [US/US]; 9540 DeSoto Avenue, Chatsworth, CA 91311 (US). **BAUM, Lauren, O.** [US/US]; 9540 DeSoto Avenue, Chatsworth, CA 91311 (US).

(74) Agent: **OHRINER, Kenneth, H.**; Perkins Coie LLP, P.O. Box 1208, Seattle, WA 98111-1208 (US).

(81) Designated States (unless otherwise indicated, for every kind of national protection available): AE, AG, AL, AM,

AT, AU, AZ, BA, BB, BG, BR, BW, BY, BZ, CA, CH, CN, CO, CR, CU, CZ, DE, DK, DM, DZ, EC, EE, EG, ES, FI, GB, GD, GE, GH, GM, HR, HU, ID, IL, IN, IS, JP, KE, KG, KP, KR, KZ, LC, LK, LR, LS, LT, LU, LV, MA, MD, MG, MK, MN, MW, MX, MZ, NA, NI, NO, NZ, OM, PG, PH, PL, PT, RO, RU, SC, SD, SE, SG, SK, SL, SY, TJ, TM, TN, TR, TT, TZ, UA, UG, US, UZ, VC, VN, YU, ZA, ZM, ZW.

(84) Designated States (unless otherwise indicated, for every kind of regional protection available): ARIPO (BW, GH, GM, KE, LS, MW, MZ, SD, SL, SZ, TZ, UG, ZM, ZW), Eurasian (AM, AZ, BY, KG, KZ, MD, RU, TJ, TM), European (AT, BE, BG, CH, CY, CZ, DE, DK, EE, ES, FI, FR, GB, GR, HU, IE, IT, LU, MC, NL, PL, PT, RO, SE, SI, SK, TR), OAPI (BF, BJ, CF, CG, CI, CM, GA, GN, GQ, GW, ML, MR, NE, SN, TD, TG).

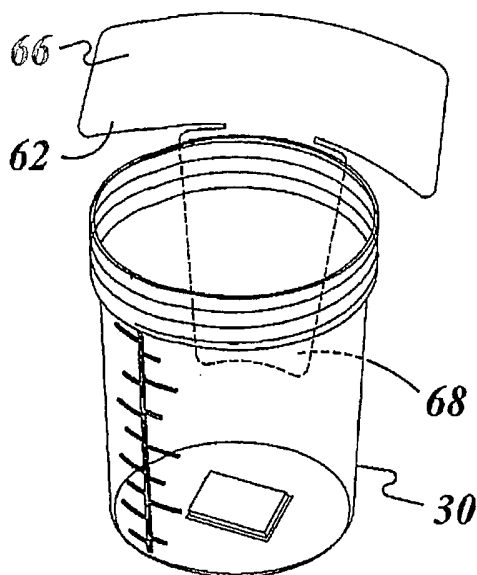
Published:

- with international search report
- before the expiration of the time limit for amending the claims and to be republished in the event of receipt of amendments

(88) Date of publication of the international search report:
5 January 2006

For two-letter codes and other abbreviations, refer to the "Guidance Notes on Codes and Abbreviations" appearing at the beginning of each regular issue of the PCT Gazette.

(54) Title: MEDICATION MARKING SYSTEM



(57) Abstract: Flags for labeling drugs or medications for use on the sterile field in an operating room have a cup section (68) with an adhesive back surface peelably attached to a backing sheet (72). A flag section (66) is attached to the cup section (68) of the flag at a bend line (74).

WO 2004/084159 A3

INTERNATIONAL SEARCH REPORT

International application No.

PCT/US04/08065

<p>A. CLASSIFICATION OF SUBJECT MATTER</p> <p>IPC(7) : G09F 3/10</p> <p>US CL : 40/638, 306, 310; 283/81</p> <p>According to International Patent Classification (IPC) or to both national classification and IPC</p>																								
<p>B. FIELDS SEARCHED</p> <p>Minimum documentation searched (classification system followed by classification symbols)</p> <p>U.S. : 40/638, 306, 310; 283/81</p> <p>Documentation searched other than minimum documentation to the extent that such documents are included in the fields searched</p> <p>Electronic data base consulted during the international search (name of data base and, where practicable, search terms used)</p>																								
<p>C. DOCUMENTS CONSIDERED TO BE RELEVANT</p> <table border="1"> <thead> <tr> <th>Category *</th> <th>Citation of document, with indication, where appropriate, of the relevant passages</th> <th>Relevant to claim No.</th> </tr> </thead> <tbody> <tr> <td>A</td> <td>US 3,885,562 A (LAMPKIN) 27 May 1975 (27.05.1975)</td> <td rowspan="10">1, 2 and 13-15</td> </tr> <tr> <td>A</td> <td>US 4,195,734 A (BONER et al) 01 April 1980 (01.04.1980)</td> </tr> <tr> <td>A</td> <td>US 4,518,208 A (MARDER) 21 May 1985 (21.05.1985)</td> </tr> <tr> <td>A</td> <td>US 4,976,351 A (MANGINI et al) 11 December 1990 (11.12.1990)</td> </tr> <tr> <td>A</td> <td>US 5,046,609 A (Mangini et al) 10 September 1991 (10.09.1991)</td> </tr> <tr> <td>X</td> <td>US 5,692,640 A (CAULFIELD et al) 02 December 1997 (02.12.1997)</td> </tr> <tr> <td>A</td> <td>US 5,958,536 A (GELSINGER et al) 28 September 1999 (28.09.1999)</td> </tr> <tr> <td>A</td> <td>US 6,793,075 B1 (JETER) 21 September 2004 (21.09.2004)</td> </tr> <tr> <td>A</td> <td>US 3,442,378 A (WOLFE) 06 May 1969 (06.05.1969)</td> </tr> </tbody> </table>			Category *	Citation of document, with indication, where appropriate, of the relevant passages	Relevant to claim No.	A	US 3,885,562 A (LAMPKIN) 27 May 1975 (27.05.1975)	1, 2 and 13-15	A	US 4,195,734 A (BONER et al) 01 April 1980 (01.04.1980)	A	US 4,518,208 A (MARDER) 21 May 1985 (21.05.1985)	A	US 4,976,351 A (MANGINI et al) 11 December 1990 (11.12.1990)	A	US 5,046,609 A (Mangini et al) 10 September 1991 (10.09.1991)	X	US 5,692,640 A (CAULFIELD et al) 02 December 1997 (02.12.1997)	A	US 5,958,536 A (GELSINGER et al) 28 September 1999 (28.09.1999)	A	US 6,793,075 B1 (JETER) 21 September 2004 (21.09.2004)	A	US 3,442,378 A (WOLFE) 06 May 1969 (06.05.1969)
Category *	Citation of document, with indication, where appropriate, of the relevant passages	Relevant to claim No.																						
A	US 3,885,562 A (LAMPKIN) 27 May 1975 (27.05.1975)	1, 2 and 13-15																						
A	US 4,195,734 A (BONER et al) 01 April 1980 (01.04.1980)																							
A	US 4,518,208 A (MARDER) 21 May 1985 (21.05.1985)																							
A	US 4,976,351 A (MANGINI et al) 11 December 1990 (11.12.1990)																							
A	US 5,046,609 A (Mangini et al) 10 September 1991 (10.09.1991)																							
X	US 5,692,640 A (CAULFIELD et al) 02 December 1997 (02.12.1997)																							
A	US 5,958,536 A (GELSINGER et al) 28 September 1999 (28.09.1999)																							
A	US 6,793,075 B1 (JETER) 21 September 2004 (21.09.2004)																							
A	US 3,442,378 A (WOLFE) 06 May 1969 (06.05.1969)																							
<p><input checked="" type="checkbox"/> Further documents are listed in the continuation of Box C. <input type="checkbox"/> See patent family annex.</p>																								
<p>* Special categories of cited documents:</p> <table border="1"> <tbody> <tr> <td>"A"</td> <td>document defining the general state of the art which is not considered to be of particular relevance</td> <td>"T"</td> <td>later document published after the international filing date or priority date and not in conflict with the application but cited to understand the principle or theory underlying the invention</td> </tr> <tr> <td>"E"</td> <td>earlier application or patent published on or after the international filing date</td> <td>"X"</td> <td>document of particular relevance; the claimed invention cannot be considered novel or cannot be considered to involve an inventive step when the document is taken alone</td> </tr> <tr> <td>"L"</td> <td>document which may throw doubts on priority claim(s) or which is cited to establish the publication date of another citation or other special reason (as specified)</td> <td>"Y"</td> <td>document of particular relevance; the claimed invention cannot be considered to involve an inventive step when the document is combined with one or more other such documents, such combination being obvious to a person skilled in the art</td> </tr> <tr> <td>"O"</td> <td>document referring to an oral disclosure, use, exhibition or other means</td> <td>"&"</td> <td>document member of the same patent family</td> </tr> <tr> <td>"P"</td> <td>document published prior to the international filing date but later than the priority date claimed</td> <td></td> <td></td> </tr> </tbody> </table>			"A"	document defining the general state of the art which is not considered to be of particular relevance	"T"	later document published after the international filing date or priority date and not in conflict with the application but cited to understand the principle or theory underlying the invention	"E"	earlier application or patent published on or after the international filing date	"X"	document of particular relevance; the claimed invention cannot be considered novel or cannot be considered to involve an inventive step when the document is taken alone	"L"	document which may throw doubts on priority claim(s) or which is cited to establish the publication date of another citation or other special reason (as specified)	"Y"	document of particular relevance; the claimed invention cannot be considered to involve an inventive step when the document is combined with one or more other such documents, such combination being obvious to a person skilled in the art	"O"	document referring to an oral disclosure, use, exhibition or other means	"&"	document member of the same patent family	"P"	document published prior to the international filing date but later than the priority date claimed				
"A"	document defining the general state of the art which is not considered to be of particular relevance	"T"	later document published after the international filing date or priority date and not in conflict with the application but cited to understand the principle or theory underlying the invention																					
"E"	earlier application or patent published on or after the international filing date	"X"	document of particular relevance; the claimed invention cannot be considered novel or cannot be considered to involve an inventive step when the document is taken alone																					
"L"	document which may throw doubts on priority claim(s) or which is cited to establish the publication date of another citation or other special reason (as specified)	"Y"	document of particular relevance; the claimed invention cannot be considered to involve an inventive step when the document is combined with one or more other such documents, such combination being obvious to a person skilled in the art																					
"O"	document referring to an oral disclosure, use, exhibition or other means	"&"	document member of the same patent family																					
"P"	document published prior to the international filing date but later than the priority date claimed																							
<p>Date of the actual completion of the international search</p> <p>14 October 2005 (14.10.2005)</p>		<p>Date of mailing of the international search report</p> <p>23 NOV 2005</p>																						
<p>Name and mailing address of the ISA/US</p> <p>Mail Stop PCT, Attn: ISA/US Commissioner for Patents P.O. Box 1450 Alexandria, Virginia 22313-1450</p> <p>Facsimile No. (703) 305-3230</p>		<p>Authorized officer</p> <p><i>Gary C. Hoge</i> Gary C. Hoge</p> <p>Telephone No. (703) 306-4177</p>																						

INTERNATIONAL SEARCH REPORT

International application No.
PCT/US04/08065

C. (Continuation) DOCUMENTS CONSIDERED TO BE RELEVANT

Category *	Citation of document, with indication, where appropriate, of the relevant passages	Relevant to claim No.
A	US 2002/0056989 A1 (LEWIS-LEANDER) 16 May 2002 (16.05.2002)	