

(19) World Intellectual Property Organization
International Bureau



(43) International Publication Date
12 June 2008 (12.06.2008)

PCT

(10) International Publication Number
WO 2008/070209 A3

(51) International Patent Classification:
F16K 11/20 (2006.01)

SCOTT, Dane, C. [US/US]; 320 Almshouse Road,
Doylestown, PA 18901 (US).

(21) International Application Number:
PCT/US2007/071134

(74) Agents: SARLES, Matthew et al.; Townsend and
Townsend and Crew LLP, 1200 17th Street, Suite 2700,
Denver, Colorado 80202 (US).

(22) International Filing Date: 13 June 2007 (13.06.2007)

(81) Designated States (unless otherwise indicated, for every
kind of national protection available): AE, AG, AL, AM,
AT, AU, AZ, BA, BB, BG, BH, BR, BW, BY, BZ, CA, CH,
CN, CO, CR, CU, CZ, DE, DK, DM, DO, DZ, EC, EE, EG,
ES, FI, GB, GD, GE, GH, GM, GT, HN, HR, HU, ID, IL,
IN, IS, JP, KE, KG, KM, KN, KP, KR, KZ, LA, LC, LK,
LR, LS, LT, LU, LY, MA, MD, ME, MG, MK, MN, MW,
MX, MY, MZ, NA, NG, NI, NO, NZ, OM, PG, PH, PL,
PT, RO, RS, RU, SC, SD, SE, SG, SK, SL, SM, SV, SY,
TJ, TM, TN, TR, TT, TZ, UA, UG, US, UZ, VC, VN, ZA,
ZM, ZW.

(25) Filing Language: English

(26) Publication Language: English

(30) Priority Data:
11/424,815 16 June 2006 (16.06.2006) US

(71) Applicant (for all designated States except US): MATH-
ESON TRI-GAS, INC. [US/US]; 959 Route East, Parsip-
pany, NJ 07054 (US).

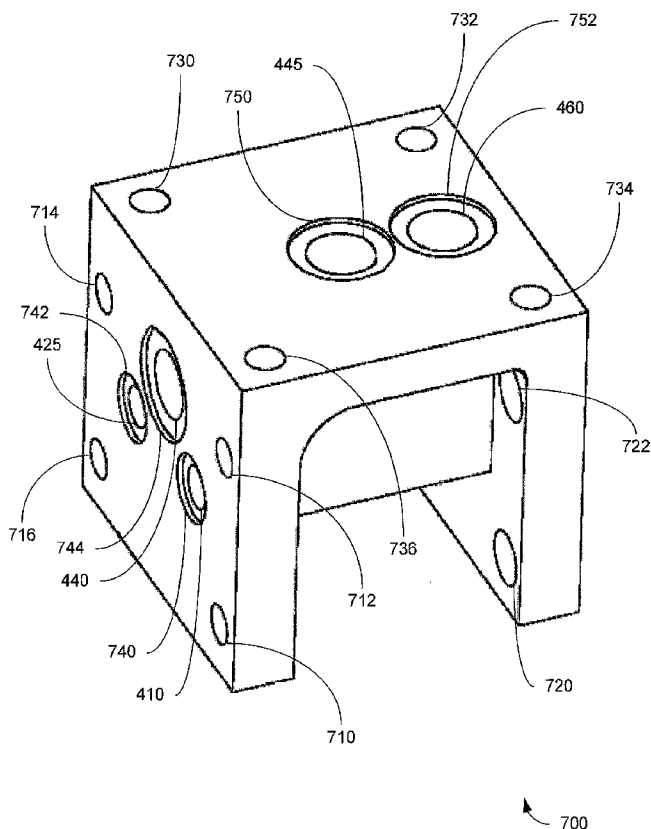
(72) Inventors; and

(84) Designated States (unless otherwise indicated, for every
kind of regional protection available): ARIPO (BW, GH,
GM, KE, LS, MW, MZ, NA, SD, SL, SZ, TZ, UG, ZM,

(75) Inventors/Applicants (for US only): CURRAN, William,
J. [US/US]; 12821 Quito Road, Saratoga, CA 95070 (US).

[Continued on next page]

(54) Title: HIGH FLOW SURFACE MOUNT COMPONENTS



(57) Abstract: A fluid handling unit is disclosed and includes a body, a plurality of fluid passage ports formed in the body, and a plurality of orifices formed on surfaces of the body to provide fluid access to the ports from outside the unit. At least two of the orifices may have different cross-sectional areas. A modular fluid handling system is also disclosed and includes a plurality of fluid handling units, wherein adjacent fluid handling units are coupled together to form the fluid handling system. The fluid handling system may deliver fluid from at least one fluid source to fluid utilizing equipment. A plurality of fluid passages may be formed by the fluid handling units, and the diameter of one fluid passage may be greater than the diameter of another fluid passage. At least one control component may be coupled with at least one fluid handling unit.

WO 2008/070209 A3



ZW), Eurasian (AM, AZ, BY, KG, KZ, MD, RU, TJ, TM),
European (AT, BE, BG, CH, CY, CZ, DE, DK, EE, ES, FI,
FR, GB, GR, HU, IE, IS, IT, LT, LU, LV, MC, MT, NL, PL,
PT, RO, SE, SI, SK, TR), OAPI (BF, BJ, CF, CG, CI, CM,
GA, GN, GQ, GW, ML, MR, NE, SN, TD, TG).

Published:

— *with international search report*

(88) Date of publication of the international search report:
6 November 2008

INTERNATIONAL SEARCH REPORT

International application No.

PCT/US07/71134

A. CLASSIFICATION OF SUBJECT MATTER
 IPC: **F16K 11/20(2006.01)**

USPC: 137/884
 According to International Patent Classification (IPC) or to both national classification and IPC

B. FIELDS SEARCHED

Minimum documentation searched (classification system followed by classification symbols)
 U.S. :

Documentation searched other than minimum documentation to the extent that such documents are included in the fields searched

Electronic data base consulted during the international search (name of data base and, where practicable, search terms used)

C. DOCUMENTS CONSIDERED TO BE RELEVANT

Category *	Citation of document, with indication, where appropriate, of the relevant passages	Relevant to claim No.
X	US 3,486,519 A (OLSON) 30 December 1969 (30.12.1969), Figures 1 and 3, column 2, line 55-column 3, line 5.	1-19

Further documents are listed in the continuation of Box C. See patent family annex.

* Special categories of cited documents:

"A"	document defining the general state of the art which is not considered to be of particular relevance	"T"	later document published after the international filing date or priority date and not in conflict with the application but cited to understand the principle or theory underlying the invention
"E"	earlier application or patent published on or after the international filing date	"X"	document of particular relevance; the claimed invention cannot be considered novel or cannot be considered to involve an inventive step when the document is taken alone
"L"	document which may throw doubts on priority claim(s) or which is cited to establish the publication date of another citation or other special reason (as specified)	"Y"	document of particular relevance; the claimed invention cannot be considered to involve an inventive step when the document is combined with one or more other such documents, such combination being obvious to a person skilled in the art
"O"	document referring to an oral disclosure, use, exhibition or other means	"&"	document member of the same patent family
"P"	document published prior to the international filing date but later than the priority date claimed		

Date of the actual completion of the international search 01 July 2008 (01.07.2008)	Date of mailing of the international search report 07 AUG 2008
Name and mailing address of the ISA/US Mail Stop PCT, Attn: ISA/US Commissioner for Patents P.O. Box 1450 Alexandria, Virginia 22313-1450 Facsimile No. (571) 273-3201	Authorized officer John Fox <i>A. Hurley for</i> Telephone No. 571-272-4395

INTERNATIONAL SEARCH REPORT

International application No.

PCT/US07/71134

Box No. II Observations where certain claims were found unsearchable (Continuation of item 2 of first sheet)

This international search report has not been established in respect of certain claims under Article 17(2)(a) for the following reasons:

1. Claims Nos.:
because they relate to subject matter not required to be searched by this Authority, namely:

2. Claims Nos.:
because they relate to parts of the international application that do not comply with the prescribed requirements to such an extent that no meaningful international search can be carried out, specifically:

3. Claims Nos.:
because they are dependent claims and are not drafted in accordance with the second and third sentences of Rule 6.4(a).

Box No. III Observations where unity of invention is lacking (Continuation of item 3 of first sheet)

This International Searching Authority found multiple inventions in this international application, as follows:
Please See Continuation Sheet

1. As all required additional search fees were timely paid by the applicant, this international search report covers all searchable claims.
 2. As all searchable claims could be searched without effort justifying additional fees, this Authority did not invite payment of any additional fees.
 3. As only some of the required additional search fees were timely paid by the applicant, this international search report covers only those claims for which fees were paid, specifically claims Nos.:

 4. No required additional search fees were timely paid by the applicant. Consequently, this international search report is restricted to the invention first mentioned in the claims; it is covered by claims Nos.: 1-19
- Remark on Protest**
- The additional search fees were accompanied by the applicant's protest and, where applicable, the payment of a protest fee.
 - The additional search fees were accompanied by the applicant's protest but the applicable protest fee was not paid within the time limit specified in the invitation.
 - No protest accompanied the payment of additional search fees.

BOX III. OBSERVATIONS WHERE UNITY OF INVENTION IS LACKING

This application contains the following inventions or groups of inventions which are not so linked as to form a single general inventive concept under PCT Rule 13.1. In order for all inventions to be examined, the appropriate additional examination fees must be paid.

Group I, claim(s) 1-19, drawn to a fluid handling unit.

Group II, claim(s) 20-27, drawn to a modular system.

Group III, claim(s) 28-29, drawn to a fluid system with plural sources.

Group IV, claim(s) 30-31, drawn to a fluid system with plural end uses.

This application contains claims directed to more than one species of the generic invention. These species are deemed to lack unity of invention because they are not so linked as to form a single general inventive concept under PCT Rule 13.1.

In order for more than one species to be examined, the appropriate additional examination fees must be paid. The species are as follows:

Figures 1A-1C

Figures 2A-2C

Figures 3A-3C

Figures 4A-4C

Figures 5A-5B

Figure 7

Figure 8