

(19) World Intellectual Property Organization
International Bureau



(43) International Publication Date
31 May 2001 (31.05.2001)

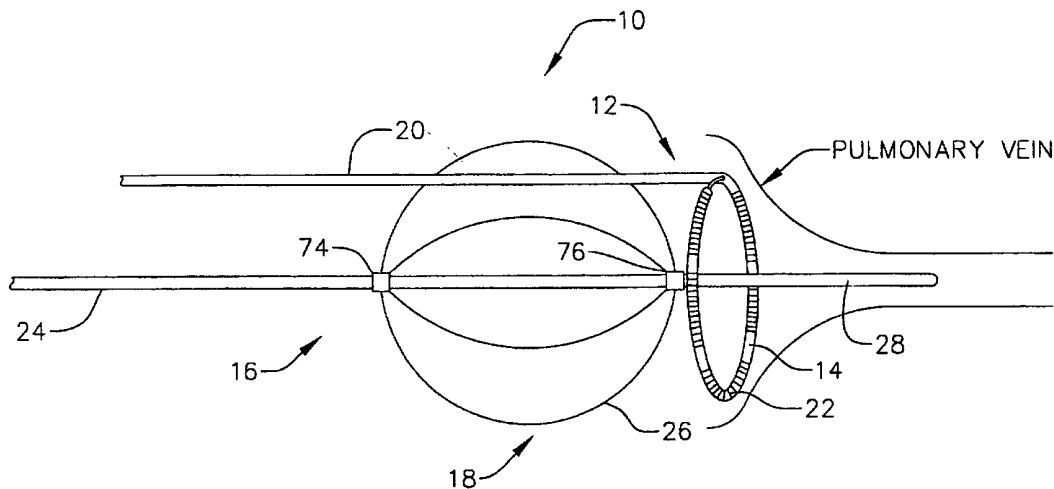
PCT

(10) International Publication Number
WO 01/37925 A3

- (51) International Patent Classification⁷: **A61B 18/14** Toulouse Street, Newark, CA 94560 (US). **SWANSON, David, K.**; 877 Heatherstone Way, #705, Mountain View, CA 94040 (US).
- (21) International Application Number: PCT/EP00/11638
- (22) International Filing Date: 22 November 2000 (22.11.2000)
- (74) Agent: **VIERING, JENTSCHURA & PARTNER**; Steinsdorfstr. 6, 80538 München (DE).
- (25) Filing Language: English
- (81) Designated States (*national*): CA, JP.
- (26) Publication Language: English
- (84) Designated States (*regional*): European patent (AT, BE, CH, CY, DE, DK, ES, FI, FR, GB, GR, IE, IT, LU, MC, NL, PT, SE, TR).
- (30) Priority Data: 09/447,180 22 November 1999 (22.11.1999) US
- (71) Applicant: **BOSTON SCIENTIFIC LIMITED** [IE/BB]; Financial Services Centre, P.O. Box 111, Bishop's Court Hill, St. Michael (BB).
- Published: — with international search report
- (72) Inventors: **JENKINS, Thomas, R.**; 3750 McClelland Avenue, Oakland, CA 94619 (US). **THOMPSON, Russell, B.**; 123 West Portola Avenue, Los Altos, CA 94022 (US). **BURNSIDE, Robert**; 1226 Nilda Avenue, Mountain View, CA 94040 (US). **HEGDE, Anant, V.**; 36105
- (88) Date of publication of the international search report: 13 December 2001

For two-letter codes and other abbreviations, refer to the "Guidance Notes on Codes and Abbreviations" appearing at the beginning of each regular issue of the PCT Gazette.

(54) Title: ATRIAL ANNULUS ABLATION LOOP WITH EXPANDABLE PUSHER



(57) Abstract: An apparatus that facilitates the creation of circumferential lesions in body tissue. The apparatus includes a first probe having a loop structure that supports electrodes or other operative elements against the body tissue and a second probe with an expandable push structure that may be used to urge the loop structure against body tissue.



WO 01/37925 A3

INTERNATIONAL SEARCH REPORT

national Application No
PCT/EP 00/11638

A. CLASSIFICATION OF SUBJECT MATTER IPC 7 A61B18/14		
According to International Patent Classification (IPC) or to both national classification and IPC		
B. FIELDS SEARCHED		
Minimum documentation searched (classification system followed by classification symbols) IPC 7 A61B		
Documentation searched other than minimum documentation to the extent that such documents are included in the fields searched		
Electronic data base consulted during the international search (name of data base and, where practical, search terms used) EPO-Internal, PAJ, WPI Data		
C. DOCUMENTS CONSIDERED TO BE RELEVANT		
Category °	Citation of document, with indication, where appropriate, of the relevant passages	Relevant to claim No.
A	WO 99 02096 A (ATRIONIX INC ;UNIV CALIFORNIA (US); UNIV EMORY (US)) 21 January 1999 (1999-01-21) abstract; figure 6A ----	1, 38
A	US 5 860 974 A (ABELE JOHN E) 19 January 1999 (1999-01-19) abstract; figure 6A column 6, line 48-53 ----	1, 38
A	US 5 938 660 A (SWARTZ JOHN F ET AL) 17 August 1999 (1999-08-17) column 11, line 29-35 ----	1, 38
A,P	US 6 029 671 A (STEVENS JOHN H ET AL) 29 February 2000 (2000-02-29) column 11, line 15-55 ---- -/--	1, 38
<input checked="" type="checkbox"/> Further documents are listed in the continuation of box C. <input checked="" type="checkbox"/> Patent family members are listed in annex.		
° Special categories of cited documents :		
A document defining the general state of the art which is not considered to be of particular relevance *E* earlier document but published on or after the international filing date *L* document which may throw doubts on priority claim(s) or which is cited to establish the publication date of another citation or other special reason (as specified) *O* document referring to an oral disclosure, use, exhibition or other means *P* document published prior to the international filing date but later than the priority date claimed	*T* later document published after the international filing date or priority date and not in conflict with the application but cited to understand the principle or theory underlying the invention *X* document of particular relevance; the claimed invention cannot be considered novel or cannot be considered to involve an inventive step when the document is taken alone *Y* document of particular relevance; the claimed invention cannot be considered to involve an inventive step when the document is combined with one or more other such documents, such combination being obvious to a person skilled in the art. *&* document member of the same patent family	
Date of the actual completion of the international search	Date of mailing of the international search report	
5 June 2001	12/06/2001	
Name and mailing address of the ISA	Authorized officer	
European Patent Office, P.B. 5818 Patentlaan 2 NL - 2280 HV Rijswijk Tel. (+31-70) 340-2040, Tx. 31 651 epo nl, Fax: (+31-70) 340-3016	Papone, F	

INTERNATIONAL SEARCH REPORT

International Application No

PCT/EP 00/11638

C.(Continuation) DOCUMENTS CONSIDERED TO BE RELEVANT

Category *	Citation of document, with indication, where appropriate, of the relevant passages	Relevant to claim No.
P, A	EP 1 042 990 A (MEDTRONIC INC) 11 October 2000 (2000-10-11) -----	

INTERNATIONAL SEARCH REPORT

Information on patent family members

national Application No

PCT/EP 00/11638

Patent document cited in search report	Publication date	Patent family member(s)	Publication date
WO 9902096 A	21-01-1999	US 6012457 A	11-01-2000
		AU 8295998 A	08-02-1999
		CN 1269708 T	11-10-2000
		EP 1009303 A	21-06-2000
		US 6164283 A	26-12-2000
		US 6117101 A	12-09-2000

US 5860974 A	19-01-1999	CA 2165829 A	19-01-1995
		EP 0706345 A	17-04-1996
		JP 9503677 T	15-04-1997
		WO 9501751 A	19-01-1995
		US 6004269 A	21-12-1999

US 5938660 A	17-08-1999	EP 0989826 A	05-04-2000
		WO 9900064 A	07-01-1999

US 6029671 A	29-02-2000	US 5584803 A	17-12-1996
		US 5370685 A	06-12-1994
		US 5433700 A	18-07-1995
		US 5571215 A	05-11-1996
		US 5452733 A	26-09-1995
		US 5735290 A	07-04-1998
		US 6152141 A	28-11-2000
		AU 708976 B	19-08-1999
		AU 5188596 A	16-10-1996
		CA 2215970 A	03-10-1996
		EP 0819013 A	21-01-1998
		WO 9630072 A	03-10-1996
		US 5913842 A	22-06-1999
		US 5695457 A	09-12-1997
		US 5558644 A	24-09-1996
		US 5702368 A	30-12-1997
		US 5885238 A	23-03-1999
		US 5766151 A	16-06-1998
		US 5792094 A	11-08-1998
		US 5795325 A	18-08-1998
		US 5807318 A	15-09-1998
		US 5916193 A	29-06-1999
		US 5769812 A	23-06-1998
		US 2001001812 A	24-05-2001
		US 5738652 A	14-04-1998
		US 5814016 A	29-09-1998
		US 5868702 A	09-02-1999
		AU 691854 B	28-05-1998
		AU 1175995 A	19-06-1995
		AU 8613098 A	23-03-2000
		CA 2177491 A	08-06-1995
		EP 0731720 A	18-09-1996
		JP 9509074 T	16-09-1997
WO 9515192 A	08-06-1995		
AU 685161 B	15-01-1998		
AU 7719794 A	10-04-1995		
CA 2171097 A	30-03-1995		
EP 0719161 A	03-07-1996		
JP 9502889 T	25-03-1997		
WO 9508364 A	30-03-1995		
AU 668690 B	16-05-1996		
AU 2412792 A	23-02-1993		

INTERNATIONAL SEARCH REPORT

Information on patent family members

national Application No

PCT/EP 00/11638

Patent document cited in search report	Publication date	Patent family member(s)	Publication date
US 6029671 A		CA 2113476 A	04-02-1993
		DE 69230375 D	05-01-2000
		DE 69230375 T	06-07-2000
		EP 0597967 A	25-05-1994
		EP 0937439 A	25-08-1999
		ES 2142829 T	01-05-2000
		JP 6511167 T	15-12-1994
		WO 9301768 A	04-02-1993
<hr/>			
EP 1042990 A	11-10-2000	NONE	
<hr/>			