



US00D491798S1

(12) **United States Design Patent**
Buthier

(10) **Patent No.:** **US D491,798 S**

(45) **Date of Patent:** **** Jun. 22, 2004**

(54) **AEROSOL DISPENSER**

Primary Examiner—Paula A. Mortimer

(74) *Attorney, Agent, or Firm—Fish & Richardson P.C.*

(75) Inventor: **Bruno Buthier, Lucé (FR)**

(57) **CLAIM**

(73) Assignee: **Reckitt Benckiser (UK) Limited,**
Slough (GB)

The ornamental design for an aerosol dispenser, as shown and described.

(**) Term: **14 Years**

(21) Appl. No.: **29/148,175**

DESCRIPTION

(22) Filed: **Sep. 17, 2001**

(51) **LOC (7) Cl.** **09-01**

FIG. 1 is a top and right side perspective view of an aerosol dispenser showing my new design in its closed position:

(52) **U.S. Cl.** **D9/300**

FIG. 2 is a top and right side view of an aerosol dispenser showing my new design in an open position;

(58) **Field of Search** D9/300, 435, 455,
D9/529; D23/366, 367, 368, 369; 239/53,
55, 60; 222/402.1, 645, 646, 647, 648

FIG. 3 is a left side view of an aerosol dispenser showing my new design in its closed position;

(56) **References Cited**

FIG. 4 is a top plain view thereof;

U.S. PATENT DOCUMENTS

FIG. 5 is a bottom plain view thereof;

D242,460 S * 11/1976 Stoy D23/369

FIG. 6 is a right side view thereof;

D425,190 S * 5/2000 Morikawa D23/366

FIG. 7 is a front side view thereof; and,

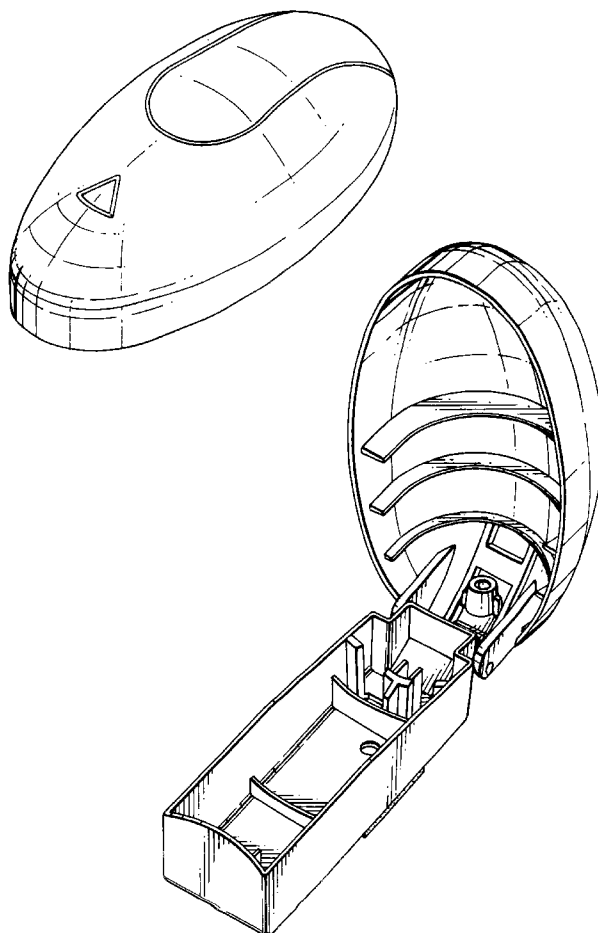
D468,627 S * 1/2003 Dampney D9/300

FIG. 8 is a rear view thereof.

D471,087 S * 3/2003 McCoy et al. D9/300

* cited by examiner

1 Claim, 3 Drawing Sheets



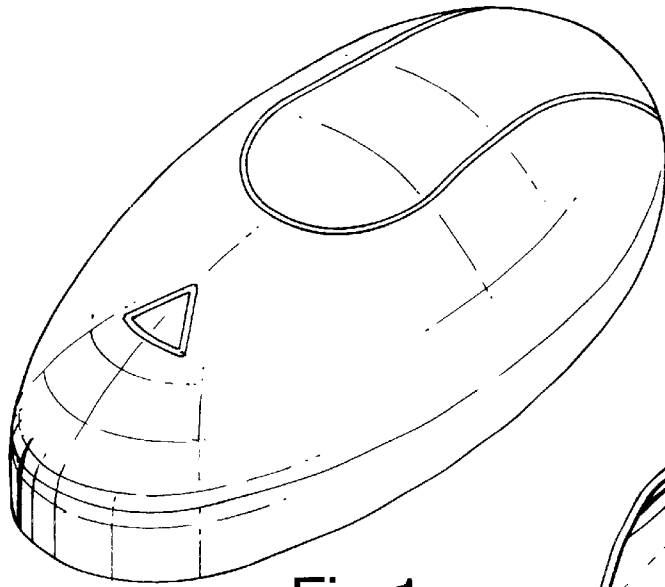


Fig. 1.

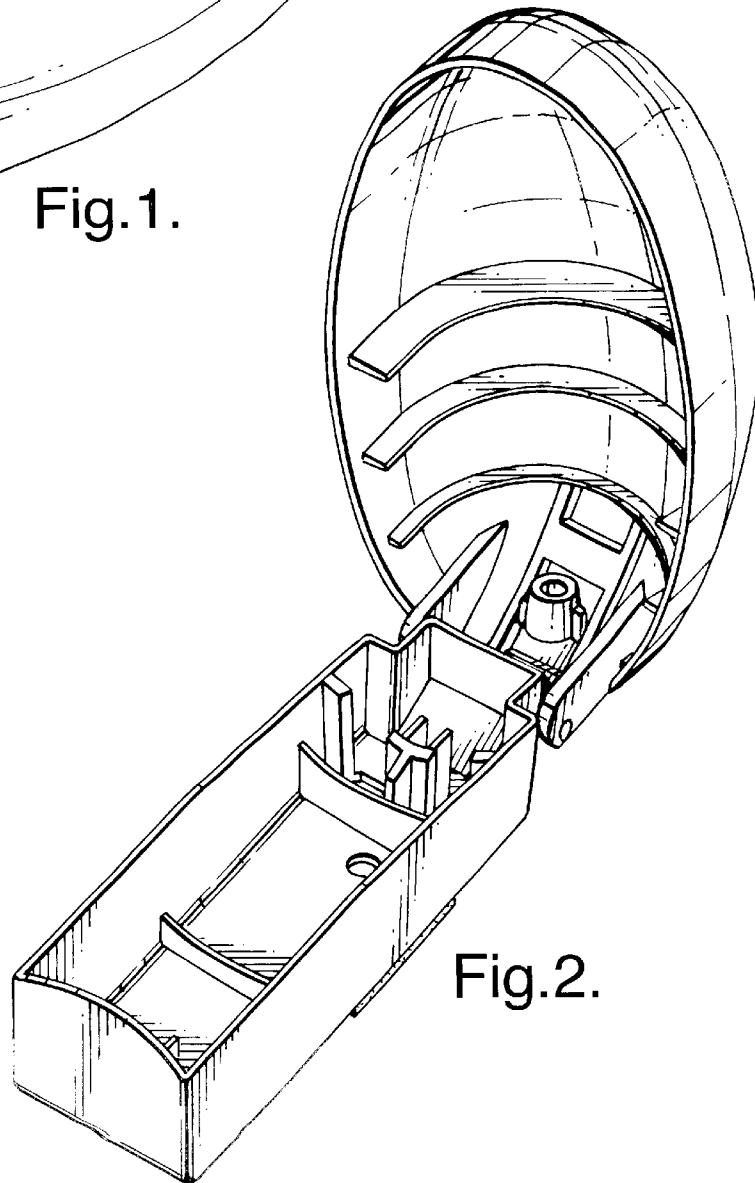


Fig. 2.

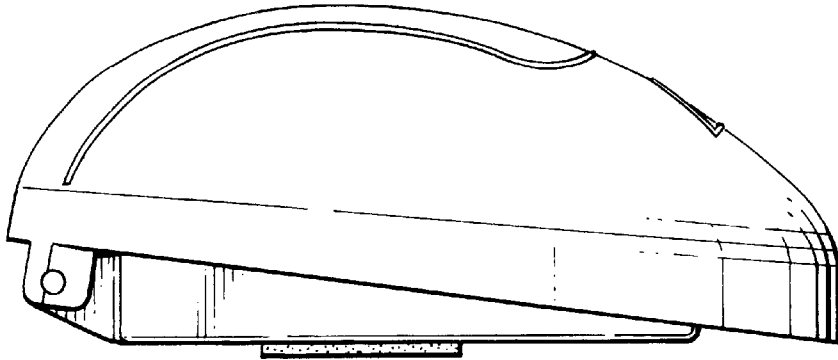


Fig.3.

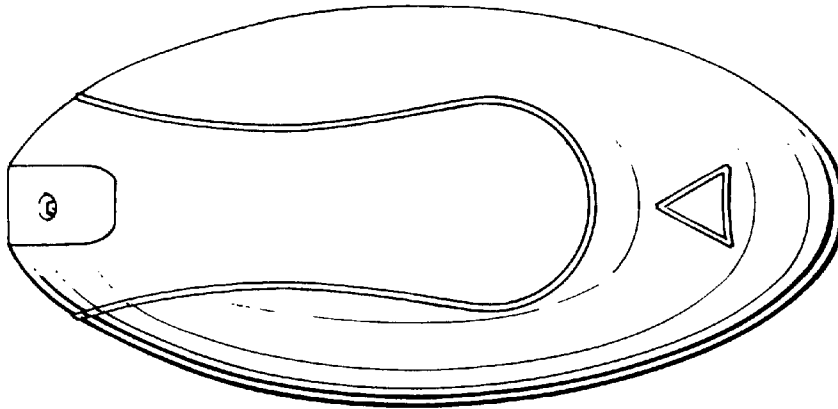


Fig.4.

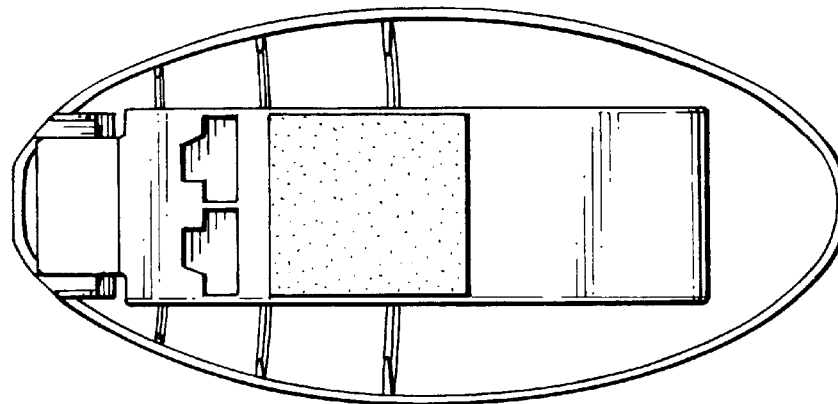


Fig.5.

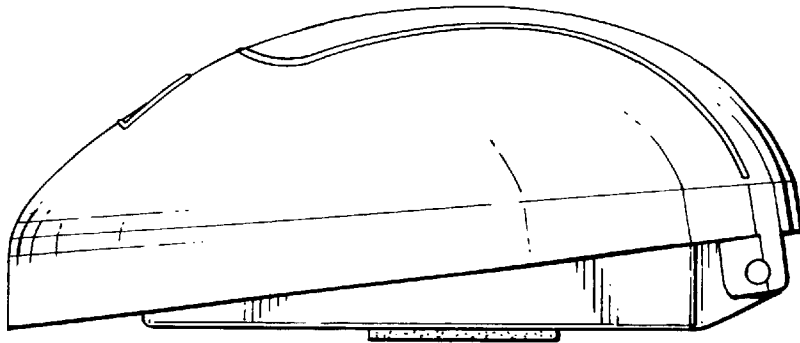


Fig. 6.

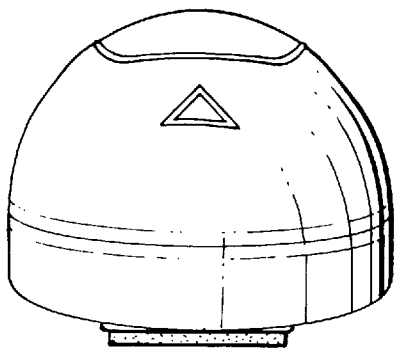


Fig. 7.

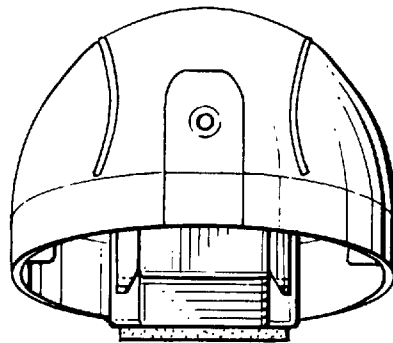


Fig. 8.