



(51) International Patent Classification:

C08J 5/18 (2006.01) C08K 5/3492 (2006.01)
C08L 23/08 (2006.01) C08F 220/18 (2006.01)
C08L 33/04 (2006.01)

(21) International Application Number:

PCT/US2012/031402

(22) International Filing Date:

30 March 2012 (30.03.2012)

(25) Filing Language:

English

(26) Publication Language:

English

(30) Priority Data:

61/470,568 1 April 2011 (01.04.2011) US

(71) Applicant (for all designated States except US): **3M INNOVATIVE PROPERTIES COMPANY** [US/US]; 3M Center, Post Office Box 33427, Saint Paul, Minnesota 55133-3427 (US).

(72) Inventors; and

(75) Inventors/Applicants (for US only): **MEITZ, David W.**, [US/US]; 3M Center, Post Office Box 33427, Saint Paul, Minnesota 55133-3427 (US). **THAKKAR, Birmal V.**, [US/US]; 3M Center, Post Office Box 33427, Saint Paul, Minnesota 55133-3427 (US). **BURNS, David M.**, [US/US]; 3M Center, Post Office Box 33427, Saint Paul, Minnesota 55133-3427 (US). **OLSON, David B.**, [US/US]; 3M Center, Post Office Box 33427, Saint Paul, Minnesota 55133-3427 (US). **PAVELKA, Lee A.**, [US/US]; 3M Center, Post Office Box 33427, Saint Paul, Minnesota 55133-3427 (US).

(74) Agents: **FULTON, Lisa P.**, et al.; 3M Center Office of Intellectual Property Counsel Post Office Box 33427, Saint Paul, Minnesota 55133-3427 (US).

(81) Designated States (unless otherwise indicated, for every kind of national protection available): AE, AG, AL, AM, AO, AT, AU, AZ, BA, BB, BG, BH, BR, BW, BY, BZ, CA, CH, CL, CN, CO, CR, CU, CZ, DE, DK, DM, DO, DZ, EC, EE, EG, ES, FI, GB, GD, GE, GH, GM, GT, HN, HR, HU, ID, IL, IN, IS, JP, KE, KG, KM, KN, KP, KR, KZ, LA, LC, LK, LR, LS, LT, LU, LY, MA, MD, ME, MG, MK, MN, MW, MX, MY, MZ, NA, NG, NI, NO, NZ, OM, PE, PG, PH, PL, PT, QA, RO, RS, RU, RW, SC, SD, SE, SG, SK, SL, SM, ST, SV, SY, TH, TJ, TM, TN, TR, TT, TZ, UA, UG, US, UZ, VC, VN, ZA, ZM, ZW.

(84) Designated States (unless otherwise indicated, for every kind of regional protection available): ARIPO (BW, GH, GM, KE, LR, LS, MW, MZ, NA, RW, SD, SL, SZ, TZ, UG, ZM, ZW), Eurasian (AM, AZ, BY, KG, KZ, MD, RU, TJ, TM), European (AL, AT, BE, BG, CH, CY, CZ, DE, DK, EE, ES, FI, FR, GB, GR, HU, IE, IS, IT, LT, LU, LV, MC, MK, MT, NL, NO, PL, PT, RO, RS, SE, SI, SK, SM, TR), OAPI (BF, BJ, CF, CG, CI, CM, GA, GN, GQ, GW, ML, MR, NE, SN, TD, TG).

Declarations under Rule 4.17:

- as to applicant's entitlement to apply for and be granted a patent (Rule 4.17(ii))
- as to the applicant's entitlement to claim the priority of the earlier application (Rule 4.17(iii))

[Continued on next page]

(54) Title: FILMS INCLUDING TRIAZINE-BASED ULTRAVIOLET ABSORBERS

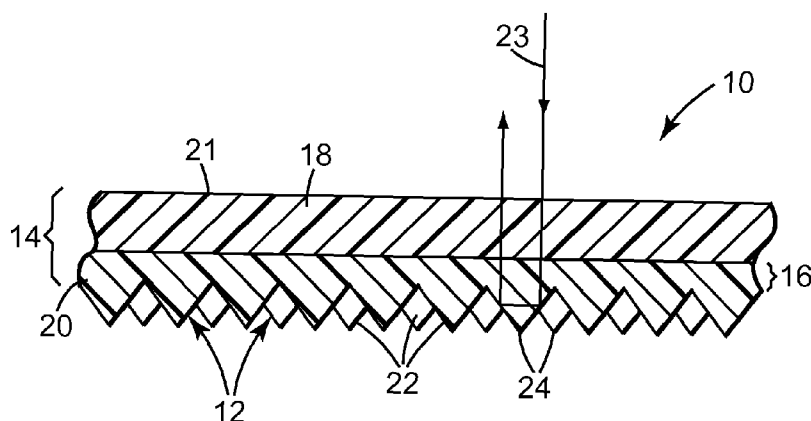


FIG. 1

(57) Abstract: The present application generally relates to EAA films including at least one triazine-based ultraviolet absorber. The present application also generally relates to retroreflective sheeting including an EAA film including a triazine-based ultraviolet absorber. One embodiment of the present application relates to a film, comprising poly(ethylene-co-acrylic acid) and a triazine-based UVA. Another embodiment of the present application relates to retroreflective sheeting, comprising: a plurality of cube corner elements; and a body layer adjacent to the cube corner elements, the body layer including poly(ethylene-co-acrylic acid) and a triazine-based UVA.



WO 2012/135595 A3

Published:

— *with international search report (Art. 21(3))*

(88) Date of publication of the international search report:

14 March 2013

A. CLASSIFICATION OF SUBJECT MATTER*C08J 5/18(2006.01)i, C08L 23/08(2006.01)i, C08L 33/04(2006.01)i, C08K 5/3492(2006.01)i, C08F 220/18(2006.01)i*

According to International Patent Classification (IPC) or to both national classification and IPC

B. FIELDS SEARCHED

Minimum documentation searched (classification system followed by classification symbols)

C08J 5/18; G11B 5/64; B32B 27/00

Documentation searched other than minimum documentation to the extent that such documents are included in the fields searched

Korean utility models and applications for utility models

Japanese utility models and applications for utility models

Electronic data base consulted during the international search (name of data base and, where practicable, search terms used)

eKOMPASS(KIPO internal) & Keywords:film, polyethylene-co-acrylic acid, triazine, UVA, prismatic

C. DOCUMENTS CONSIDERED TO BE RELEVANT

Category*	Citation of document, with indication, where appropriate, of the relevant passages	Relevant to claim No.
X A	US 2007-0154704 A1 (MICHAEL DEBERGALIS et al.) 05 July 2007 See claims 1-4; paragraphs [0026],[0028]; figure 5	1-3,7-8,10,13-14 4-6,9,11-12,15-18
A	US 2002-0102389 A1 (STEVEN M. NIELSEN et al.) 01 August 2002 See abstract; claim 1	1-18
A	US 7314284 B2 (KANEKA CORPORATION) 01 January 2008 See abstract; claims 1-12; figure 1	1-18
A	JP 2006-117833 A (ASAHI DENKA KOGYO KK) 11 May 2006 See abstract; claim 1	1-18

 Further documents are listed in the continuation of Box C. See patent family annex.

* Special categories of cited documents:

"A" document defining the general state of the art which is not considered to be of particular relevance

"E" earlier application or patent but published on or after the international filing date

"L" document which may throw doubts on priority claim(s) or which is cited to establish the publication date of citation or other special reason (as specified)

"O" document referring to an oral disclosure, use, exhibition or other means

"P" document published prior to the international filing date but later than the priority date claimed

"T" later document published after the international filing date or priority date and not in conflict with the application but cited to understand the principle or theory underlying the invention

"X" document of particular relevance; the claimed invention cannot be considered novel or cannot be considered to involve an inventive step when the document is taken alone

"Y" document of particular relevance; the claimed invention cannot be considered to involve an inventive step when the document is combined with one or more other such documents, such combination being obvious to a person skilled in the art

"&" document member of the same patent family

Date of the actual completion of the international search

31 OCTOBER 2012 (31.10.2012)

Date of mailing of the international search report

01 NOVEMBER 2012 (01.11.2012)

Name and mailing address of the ISA/KR

Korean Intellectual Property Office
189 Cheongsu-ro, Seo-gu, Daejeon Metropolitan
City, 302-701, Republic of Korea

Facsimile No. 82-42-472-7140

Authorized officer

HA, SEUNG KYU

Telephone No. 82-42-481-8491



INTERNATIONAL SEARCH REPORT

Information on patent family members

International application No.

PCT/US2012/031402

Patent document cited in search report	Publication date	Patent family member(s)	Publication date
US 2007-0154704 A1	05.07.2007	AU 2006-332650 A1 CA 2628967 A1 CN 101351521 A EP 1976954 A2 JP 2009-522414 A KR 10-2008-0081087 A US 2009-0260677 A1 US 2009-0293944 A1 US 2012-024352 A1 US 7553540 B2 US 8048518 B2 US 8062744 B2 WO 2007-079246 A2	12.07.2007 12.07.2007 21.01.2009 08.10.2008 11.06.2009 05.09.2008 22.10.2009 03.12.2009 02.02.2012 30.06.2009 01.11.2011 22.11.2011 12.07.2007
US 2002-0102389 A1	01.08.2002	None	
US 7314284 B2	01.01.2008	None	
JP 2006-117833 A	11.05.2006	None	