

(19) World Intellectual Property Organization  
International Bureau



(43) International Publication Date  
21 March 2002 (21.03.2002)

PCT

(10) International Publication Number  
WO 02/023491 A3

(51) International Patent Classification<sup>7</sup>: G07F 17/32

(US). SAFFARI, Ali; 2440 Catamaran Drive, Reno, NV 89505 (US). HOLLIBAUGH, Larry, R.; 725 Silver Mine Court, Reno, NV 89511 (US).

(21) International Application Number: PCT/US01/27555

(22) International Filing Date:  
6 September 2001 (06.09.2001)

(74) Agent: HIRSCH, Martin, J.; Marshall, Gerstein & Borun, 6300 Sears Tower, 233 South Wacker Drive, Chicago, IL 60606 (US).

(25) Filing Language: English

(26) Publication Language: English

(30) Priority Data:  
09/659,924 12 September 2000 (12.09.2000) US

(81) Designated States (*national*): AE, AG, AL, AM, AT, AU, AZ, BA, BB, BG, BR, BY, BZ, CA, CH, CN, CO, CR, CU, CZ, DE, DK, DM, DZ, EC, EE, ES, FI, GB, GD, GE, GH, GM, HR, HU, ID, IL, IN, IS, JP, KE, KG, KP, KR, KZ, LC, LK, LR, LS, LT, LU, LV, MA, MD, MG, MK, MN, MW, MX, MZ, NO, NZ, PH, PL, PT, RO, RU, SD, SE, SG, SI, SK, SL, TJ, TM, TR, TT, TZ, UA, UG, UZ, VN, YU, ZA, ZW.

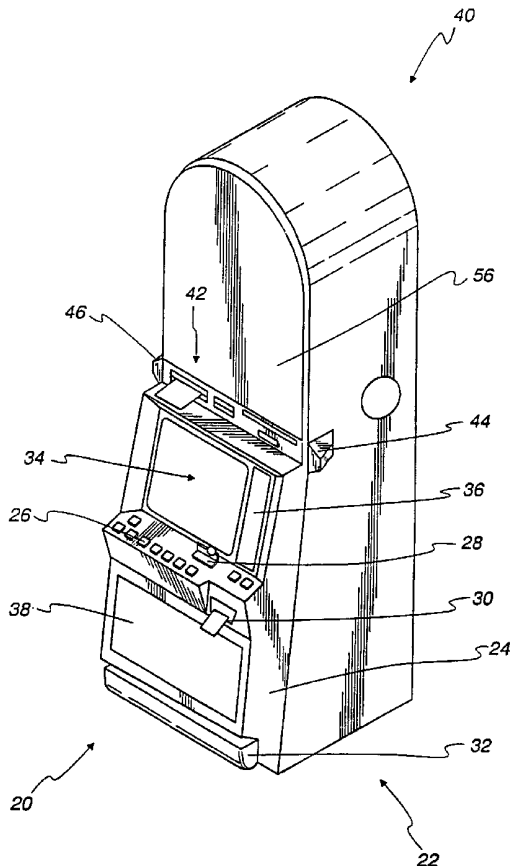
(71) Applicant: INTERNATIONAL GAME TECHNOLOGY [US/US]; 9295 Prototype Drive, Reno, NV 89511 (US).

(72) Inventors: CHAMBERLAIN, John, W.; 1335 Buzzys Ranch Road, Carson City, NV 89701 (US). HEDRICK, Joseph, R.; 13355 W. Saddlebon Drive, Reno, NV 89511

(84) Designated States (*regional*): ARIPO patent (GH, GM, KE, LS, MW, MZ, SD, SL, SZ, TZ, UG, ZW), Eurasian patent (AM, AZ, BY, KG, KZ, MD, RU, TJ, TM), European

[Continued on next page]

(54) Title: GAMING MACHINE WITH HOPPER AND PRINTER



(57) Abstract: A gaming machine in which the form of pay out is selectable by the operator and/or user to provide a pay out with coins or by way of a ticket. The gaming machine incorporates both a hopper for coin operated play as well as a printer for cashless play. In accordance with one aspect of the machine, the system can automatically detect when one of the pay out systems is disabled or otherwise unavailable and automatically continue operation with the other pay out method to allow the machine to function in a limited state. The system thus helps the transition for players from coin operated machines to cashless gaming machines, and accommodates users with different cash out preferences. The gaming machine also accepts tickets, allowing users to easily move their credits from one gaming machine to another.

WO 02/023491 A3





patent (AT, BE, CH, CY, DE, DK, ES, FI, FR, GB, GR, IE, IT, LU, MC, NL, PT, SE, TR), OAPI patent (BF, BJ, CF, CG, CI, CM, GA, GN, GQ, GW, ML, MR, NE, SN, TD, TG).

**(88) Date of publication of the international search report:**

1 August 2002

**Published:**

- *with international search report*
- *before the expiration of the time limit for amending the claims and to be republished in the event of receipt of amendments*

*For two-letter codes and other abbreviations, refer to the "Guidance Notes on Codes and Abbreviations" appearing at the beginning of each regular issue of the PCT Gazette.*

## INTERNATIONAL SEARCH REPORT

International Application No

PCT/US 01/27555

A. CLASSIFICATION OF SUBJECT MATTER  
IPC 7 G07F17/32

According to International Patent Classification (IPC) or to both national classification and IPC

## B. FIELDS SEARCHED

Minimum documentation searched (classification system followed by classification symbols)

IPC 7 G07F

Documentation searched other than minimum documentation to the extent that such documents are included in the fields searched

Electronic data base consulted during the international search (name of data base and, where practical, search terms used)

EPO-Internal

## C. DOCUMENTS CONSIDERED TO BE RELEVANT

Category °	Citation of document, with indication, where appropriate, of the relevant passages	Relevant to claim No.
X	US 5 575 374 A (NICOLAI ALAIN ET AL) 19 November 1996 (1996-11-19) column 4, line 17 - line 27; claim 1; figure 2	1-17
X	DE 41 21 985 A (NSM AG) 30 July 1992 (1992-07-30)  column 3, line 48 - line 53 column 6, line 39 - line 46 abstract; claims 1,11-13	1-3,7, 10-13, 15,16
A	US 6 048 269 A (BURNS JAMES G ET AL) 11 April 2000 (2000-04-11) column 2, line 32 - line 48; figures 2-4	1,3-7
	-/--	

Further documents are listed in the continuation of box C.

Patent family members are listed in annex.

° Special categories of cited documents:

- \*A\* document defining the general state of the art which is not considered to be of particular relevance
- \*E\* earlier document but published on or after the international filing date
- \*L\* document which may throw doubts on priority claim(s) or which is cited to establish the publication date of another citation or other special reason (as specified)
- \*O\* document referring to an oral disclosure, use, exhibition or other means
- \*P\* document published prior to the international filing date but later than the priority date claimed

- \*T\* later document published after the international filing date or priority date and not in conflict with the application but cited to understand the principle or theory underlying the invention
- \*X\* document of particular relevance; the claimed invention cannot be considered novel or cannot be considered to involve an inventive step when the document is taken alone
- \*Y\* document of particular relevance; the claimed invention cannot be considered to involve an inventive step when the document is combined with one or more other such documents, such combination being obvious to a person skilled in the art.
- \*&\* document member of the same patent family

Date of the actual completion of the international search

31 May 2002

Date of mailing of the international search report

06/06/2002

Name and mailing address of the ISA

European Patent Office, P.B. 5818 Patentlaan 2  
NL - 2280 HV Rijswijk  
Tel. (+31-70) 340-2040, Tx. 31 651 epo nl,  
Fax: (+31-70) 340-3016

Authorized officer

Reule, D

## INTERNATIONAL SEARCH REPORT

International Application No

PCT/US 01/27555

C.(Continuation) DOCUMENTS CONSIDERED TO BE RELEVANT		
Category °	Citation of document, with indication, where appropriate, of the relevant passages	Relevant to claim No.
A	US 5 397 125 A (ADAMS WILLIAM R) 14 March 1995 (1995-03-14) column 2, line 35 - line 52 ---	1,2
A	US 6 113 098 A (ADAMS WILLIAM R) 5 September 2000 (2000-09-05) column 1, line 37 - line 55 ---	1,2
A	DE 196 49 619 A (NSM AG) 4 June 1998 (1998-06-04) claims 1,3 -----	14,17

## INTERNATIONAL SEARCH REPORT

International Application No

PCT/US 01/27555

Patent document cited in search report		Publication date	Patent family member(s)	Publication date			
US 5575374	A	19-11-1996	EP 0650148 A1	26-04-1995			
			DE 69306392 D1	16-01-1997			
			DE 69306392 T2	03-04-1997			
			ES 2095021 T3	01-02-1997			
			JP 7175959 A	14-07-1995			
			US 5706925 A	13-01-1998			
			US 5697482 A	16-12-1997			
			-----				
DE 4121985	A	30-07-1992	DE 4121985 A1	30-07-1992			
			DE 4143556 C2	11-05-2000			
-----							
US 6048269	A	11-04-2000	AT 190856 T	15-04-2000			
			AU 6027394 A	15-08-1994			
			CA 2132019 A1	04-08-1994			
			DE 69423555 D1	27-04-2000			
			DE 69423555 T2	09-11-2000			
			DE 639998 T1	18-01-1996			
			EP 0639998 A1	01-03-1995			
			ES 2073387 T1	16-08-1995			
			GR 95300045 T1	31-07-1995			
			JP 7505079 T	08-06-1995			
			WO 9416781 A1	04-08-1994			
			US 2002034977 A1	21-03-2002			
			-----				
			US 5397125	A	14-03-1995	AU 673630 B2	14-11-1996
AU 7910394 A	29-06-1995						
-----							
US 6113098	A	05-09-2000	AU 740272 B2	01-11-2001			
			AU 6257199 A	10-04-2000			
			DE 19983571 T0	09-08-2001			
			GB 2357621 A	27-06-2001			
			WO 0016864 A1	30-03-2000			
-----							
DE 19649619	A	04-06-1998	DE 19649619 A1	04-06-1998			
-----							