



US00D487988S

(12) **United States Design Patent**
Hutton

(10) **Patent No.:** **US D487,988 S**

(45) **Date of Patent:** **** Apr. 6, 2004**

(54) **POOL CHAIR**

(75) Inventor: **John Hutton**, West Islip, NY (US)

(73) Assignee: **Sutherland**, Dallas, TX (US)

(**) Term: **14 Years**

(21) Appl. No.: **29/158,203**

(22) Filed: **Mar. 29, 2002**

(51) **LOC (7) Cl.** **06-01**

(52) **U.S. Cl.** **D6/370; D6/373**

(58) **Field of Search** D6/334, 335, 370,
D6/364, 371, 373, 374, 379, 380, 500,
501, 502; 297/445.1, 452.63

(56) **References Cited**

U.S. PATENT DOCUMENTS

D222,450 S	*	10/1971	Brook	D6/373
D332,355 S	*	1/1993	Maruya et al.	D6/371
D333,042 S	*	2/1993	Komai et al.	D6/370
D347,742 S	*	6/1994	Schwartz	D6/373

OTHER PUBLICATIONS

Schoner Whonen, p. 87 chair at top right, Sep. 1988.*
Smith & Hawken, P 40 Bench shown.*

* cited by examiner

Primary Examiner—Gary D. Watson

(74) *Attorney, Agent, or Firm*—Gardere Wynne Sewell LLP

(57) **CLAIM**

The ornamental design for a pool chair, as shown and described.

DESCRIPTION

FIG. 1 is a perspective view of a pool chair in accordance with my invention;

FIG. 2 is a front elevation view of the pool chair shown in FIG. 1;

FIG. 3 is a rear elevation view of the pool chair shown in FIG. 1;

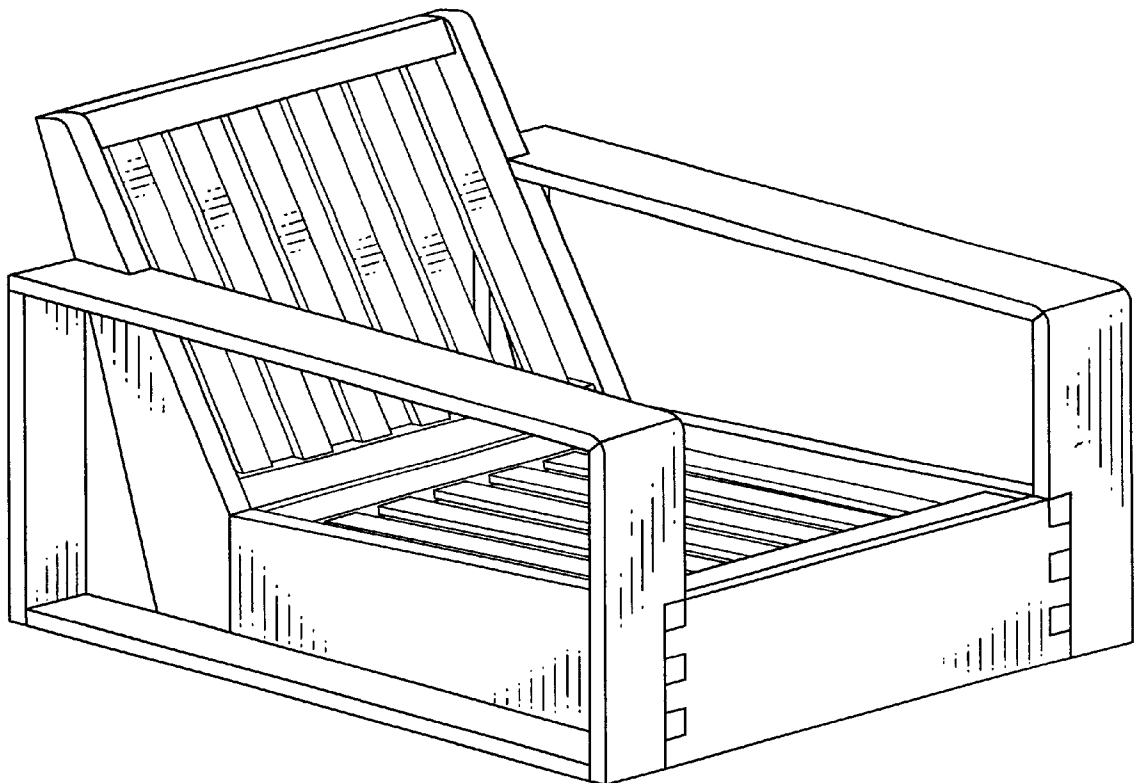
FIG. 4 is a left side elevation view of the pool chair shown in FIG. 1;

FIG. 5 is a right side elevation view of the pool chair shown in FIG. 1;

FIG. 6 is a top plan view of the pool chair shown in FIG. 1; and,

FIG. 7 is a bottom plan view of the pool chair shown in FIG. 1.

1 Claim, 5 Drawing Sheets



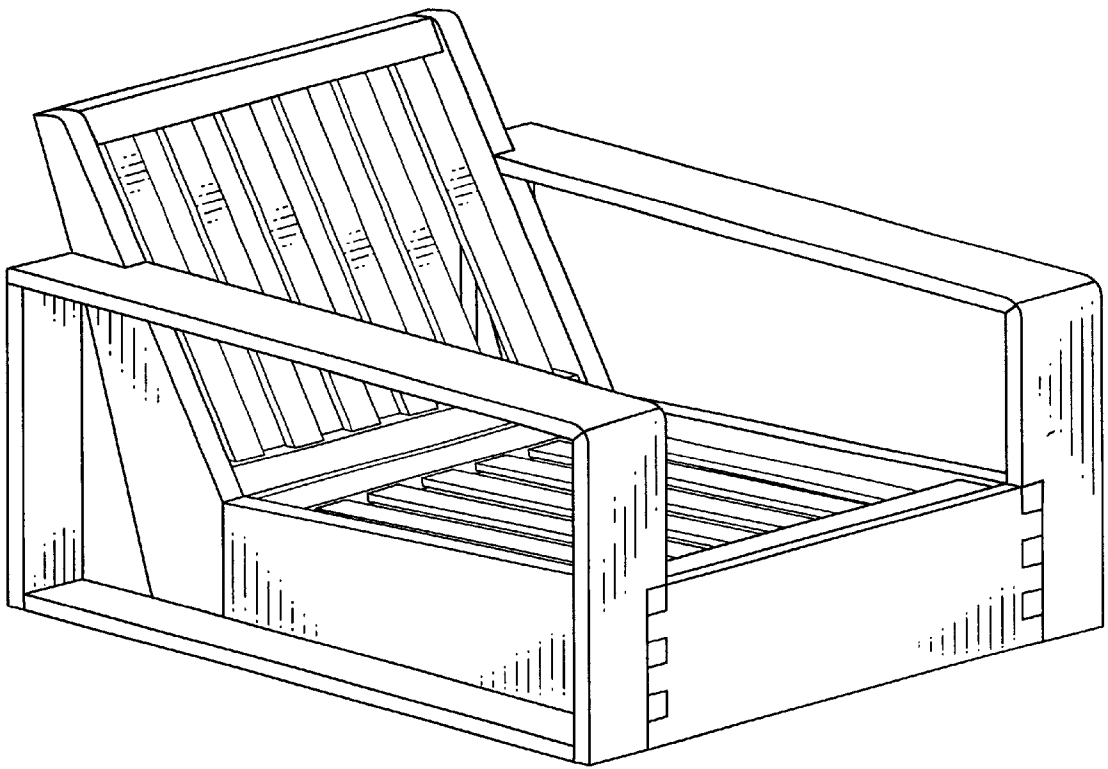


FIG. 1

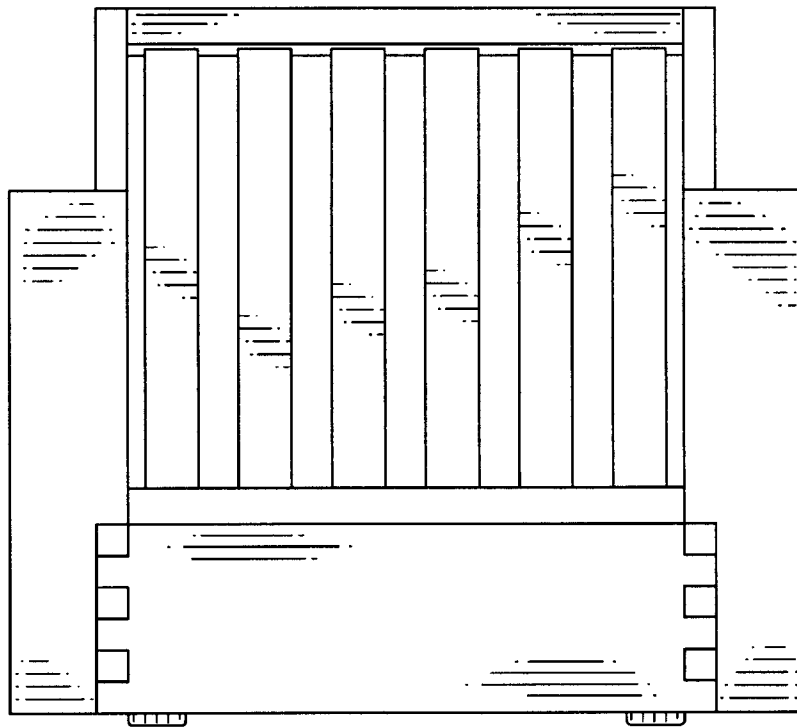


FIG. 2

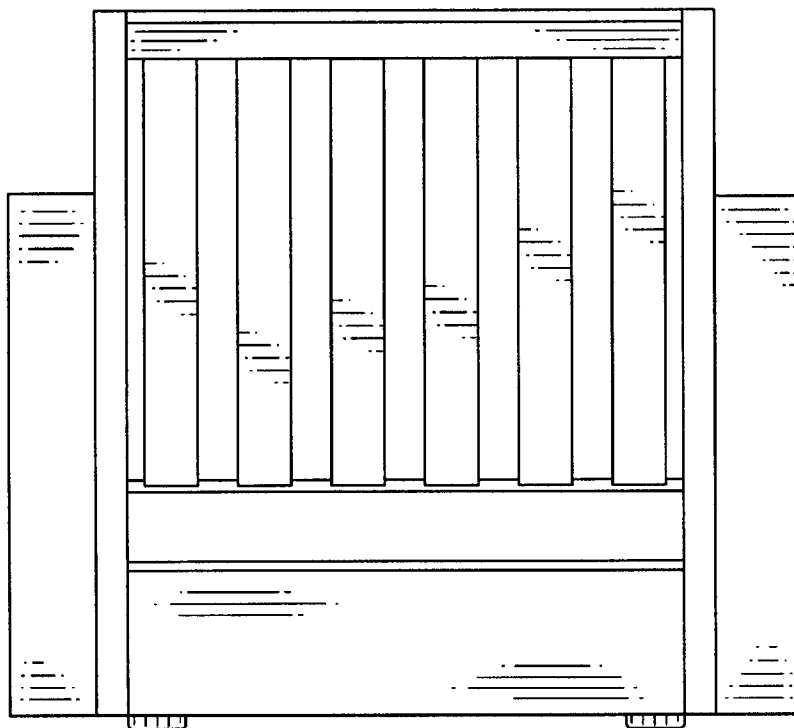


FIG. 3

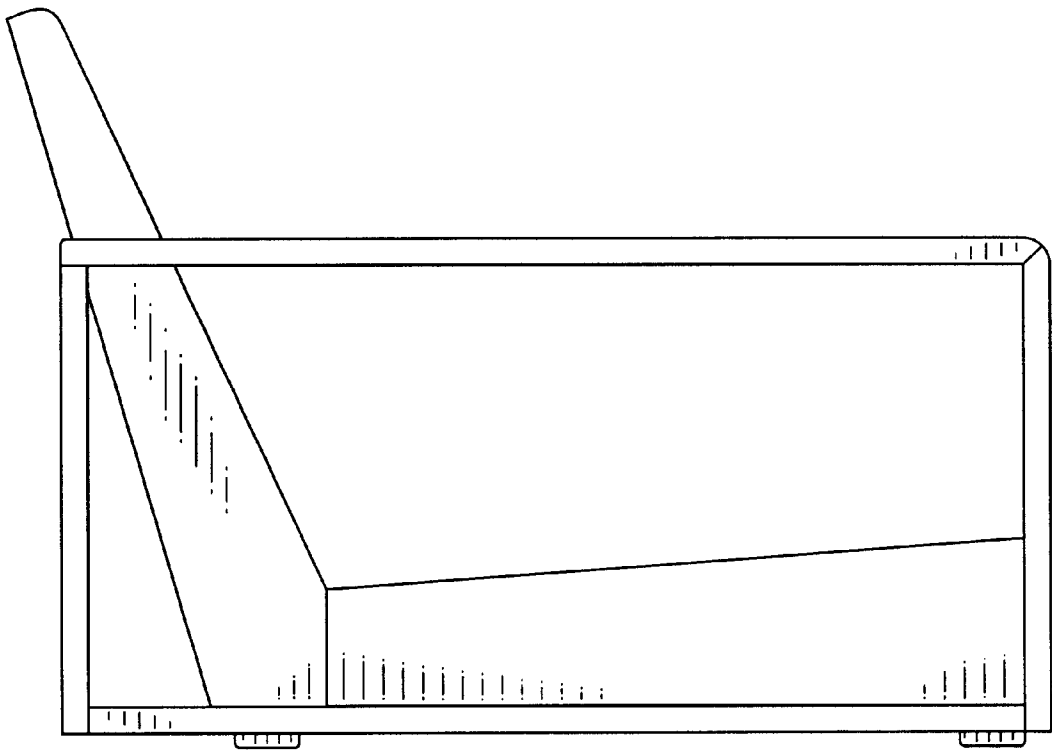


FIG. 4

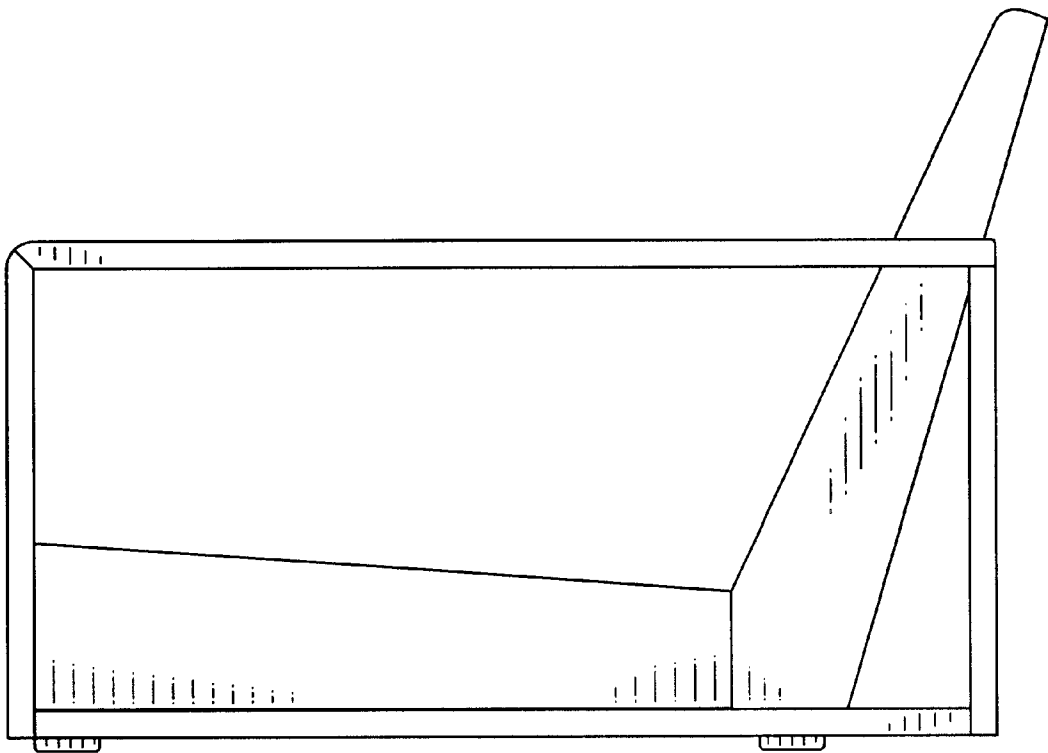


FIG. 5

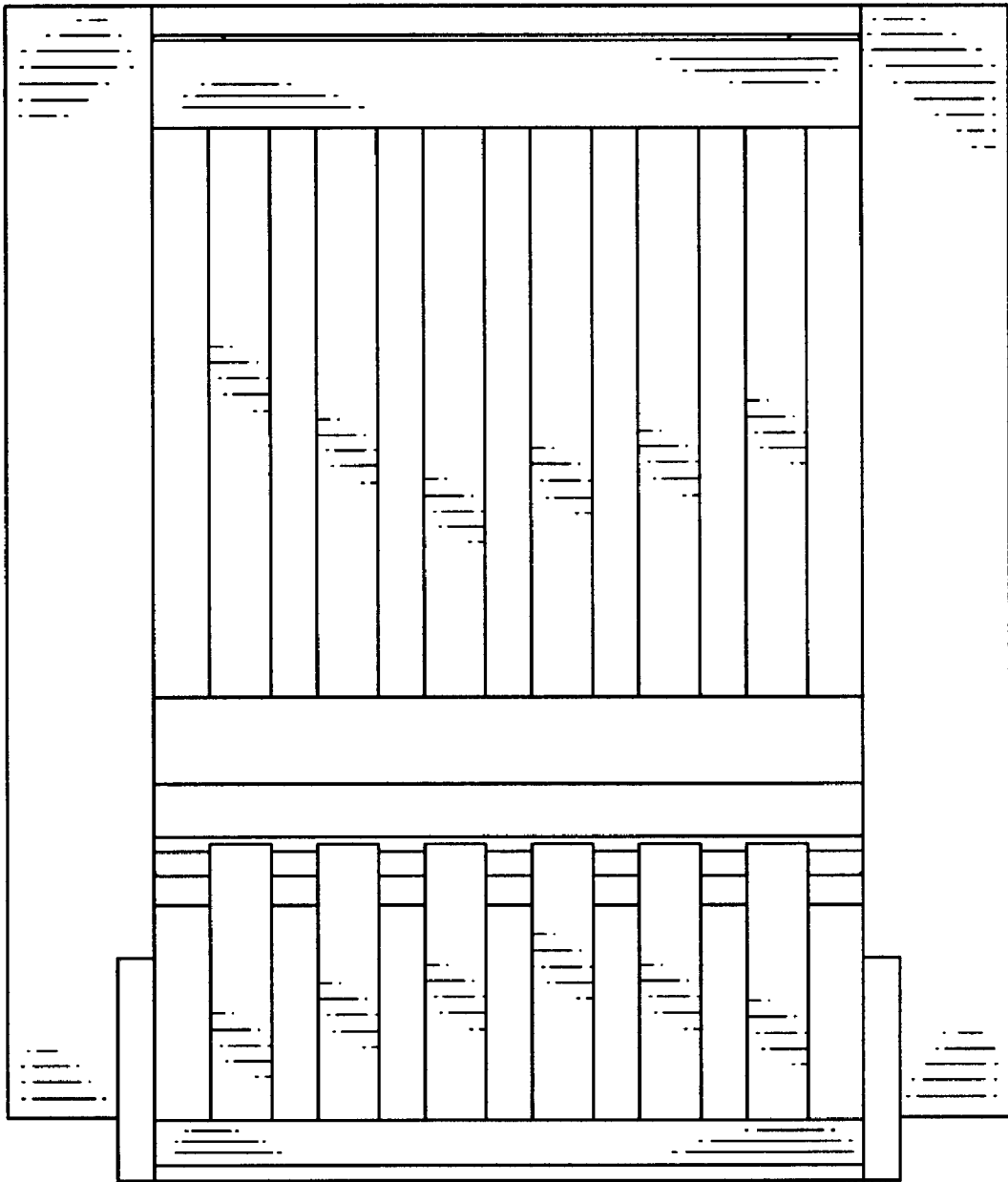


FIG. 6

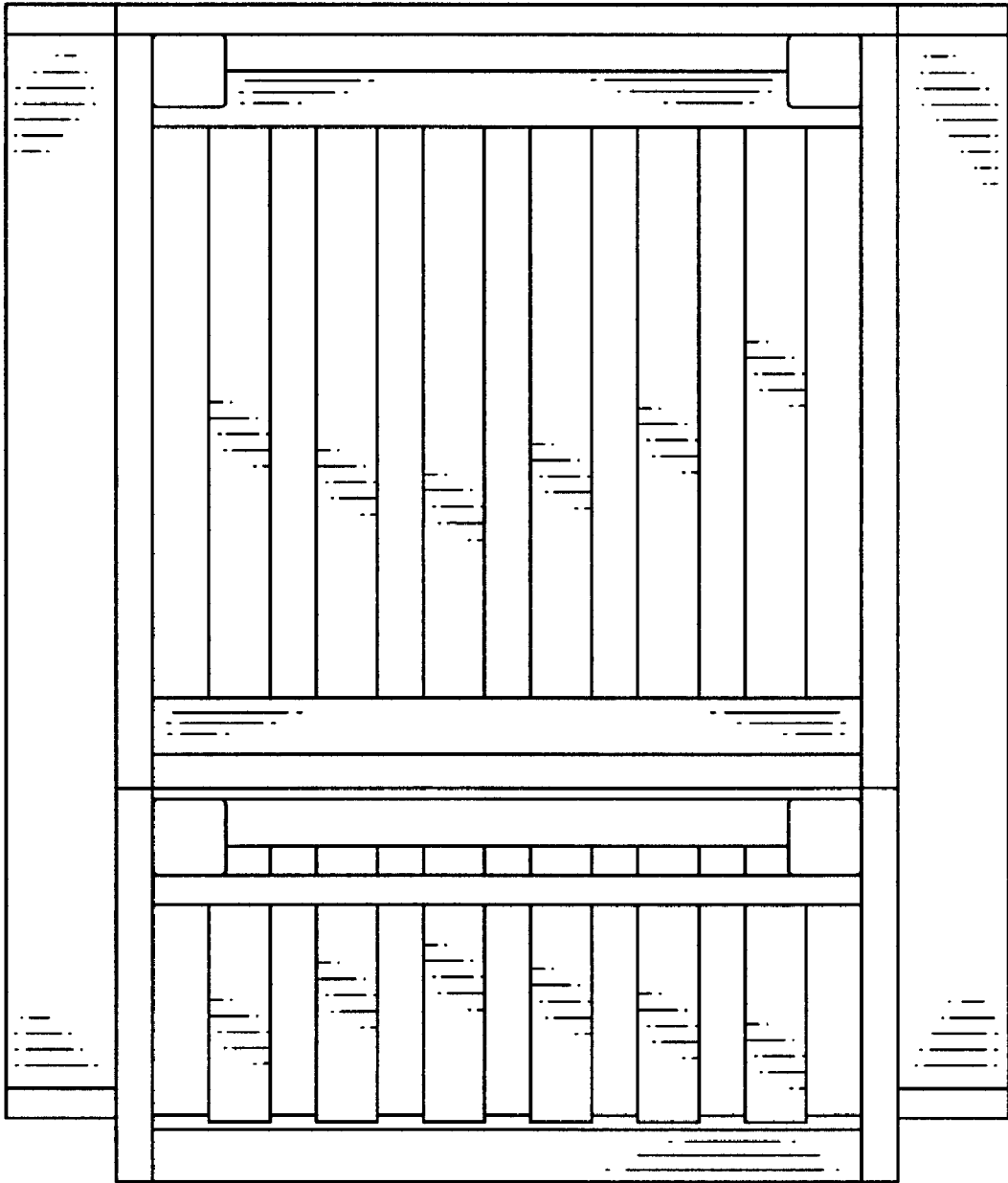


FIG. 7