

(19) World Intellectual Property Organization  
International Bureau



(43) International Publication Date  
14 February 2008 (14.02.2008)

PCT

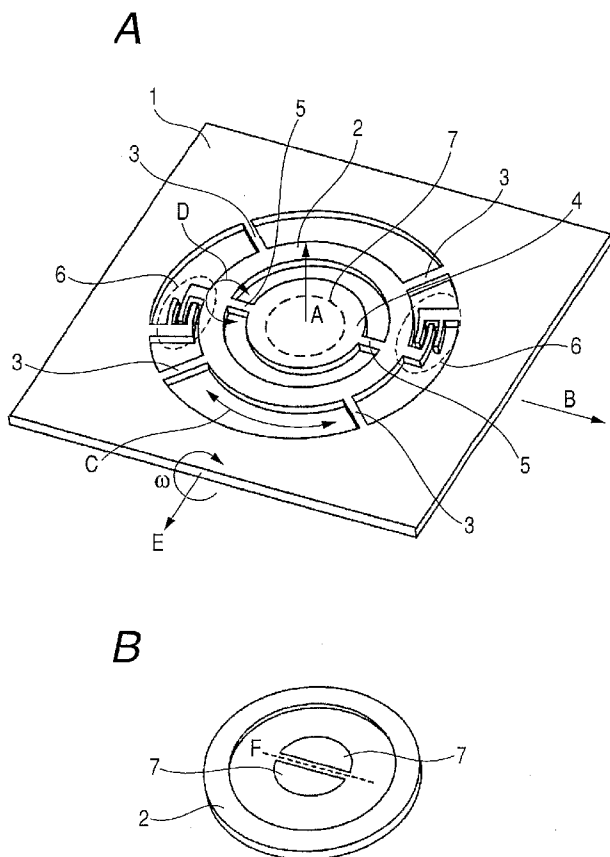
(10) International Publication Number  
WO 2008/018347 A3

- (51) International Patent Classification:  
G01C 19/56 (2006.01)
- (21) International Application Number:  
PCT/JP2007/065108
- (22) International Filing Date: 26 July 2007 (26.07.2007)
- (25) Filing Language: English
- (26) Publication Language: English
- (30) Priority Data:  
2006-216694 9 August 2006 (09.08.2006) JP
- (71) Applicant (for all designated States except US): CANON KABUSHIKI KAISHA [JP/JP]; 30-2, Shimomaruko 3-chome, Ohta-ku, Tokyo, 1468501 (JP).
- (72) Inventors; and
- (75) Inventors/Applicants (for US only): KANDORI, Atsushi [JP/JP]; c/o CANON KABUSHIKI KAISHA, 30-2, Shimomaruko 3-chome, Ohta-ku, Tokyo, 1468501 (JP). MAJIMA, Masao [JP/JP]; c/o CANON KABUSHIKI KAISHA, 30-2, Shimomaruko 3-chome, Ohta-ku, Tokyo,

- 1468501 (JP). NAGAE, Kenichi [JP/JP]; c/o CANON KABUSHIKI KAISHA, 30-2, Shimomaruko 3-chome, Ohta-ku, Tokyo, 1468501 (JP).
- (74) Agents: OKABE, Masao et al.; No. 602, Fuji Bldg., 2-3, Marunouchi 3-chome, Chiyoda-ku, Tokyo, 1000005 (JP).
- (81) Designated States (unless otherwise indicated, for every kind of national protection available): AE, AG, AL, AM, AT, AU, AZ, BA, BB, BG, BH, BR, BW, BY, BZ, CA, CH, CN, CO, CR, CU, CZ, DE, DK, DM, DO, DZ, EC, EE, EG, ES, FI, GB, GD, GE, GH, GM, GT, HN, HR, HU, ID, IL, IN, IS, KE, KG, KM, KN, KP, KR, KZ, LA, LC, LK, LR, LS, LT, LU, LY, MA, MD, ME, MG, MK, MN, MW, MX, MY, MZ, NA, NG, NI, NO, NZ, OM, PG, PH, PL, PT, RO, RS, RU, SC, SD, SE, SG, SK, SL, SM, SV, SY, TJ, TM, TN, TR, TT, TZ, UA, UG, US, UZ, VC, VN, ZA, ZM, ZW.
- (84) Designated States (unless otherwise indicated, for every kind of regional protection available): ARIPO (BW, GH, GM, KE, LS, MW, MZ, NA, SD, SL, SZ, TZ, UG, ZM, ZW), Eurasian (AM, AZ, BY, KG, KZ, MD, RU, TJ, TM), European (AT, BE, BG, CH, CY, CZ, DE, DK, EE, ES, FI,

[Continued on next page]

(54) Title: ANGULAR VELOCITY SENSOR



(57) Abstract: Provided is an angular velocity sensor including: a reference vibrator supported so as to generate reciprocating rotational vibration about a first rotation axis as a center; a detection vibrator supported by the reference vibrator so as to generate reciprocating rotational vibration about a second rotation axis, which is different from the first rotation axis, as a center; a reference vibration generating unit for allowing the reference vibrator to generate reciprocating rotational vibration; and a detection unit for detecting a displacement amount of the detection vibrator with respect to the reference vibrator, which is in association with the reciprocating rotational vibration of the detection vibrator.

WO 2008/018347 A3



FR, GB, GR, HU, IE, IS, IT, LT, LU, LV, MC, MT, NL, PL,  
PT, RO, SE, SI, SK, TR), OAPI (BF, BJ, CF, CG, CI, CM,  
GA, GN, GQ, GW, ML, MR, NE, SN, TD, TG).

— *before the expiration of the time limit for amending the  
claims and to be republished in the event of receipt of  
amendments*

**Published:**

— *with international search report*

**(88) Date of publication of the international search report:**

2 May 2008

## INTERNATIONAL SEARCH REPORT

International application No

PCT/JP2007/065108

## A. CLASSIFICATION OF SUBJECT MATTER

INV. G01C19/56

According to International Patent Classification (IPC) or to both national classification and IPC

## B. FIELDS SEARCHED

Minimum documentation searched (classification system followed by classification symbols)

G01C

Documentation searched other than minimum documentation to the extent that such documents are included in the fields searched

Electronic data base consulted during the international search (name of data base and, where practical, search terms used)

EPO-Internal, WPI Data, INSPEC

## C. DOCUMENTS CONSIDERED TO BE RELEVANT

Category*	Citation of document, with indication, where appropriate, of the relevant passages	Relevant to claim No.
X	US 5 987 986 A (WYSE STANLEY F [US] ET AL) 23 November 1999 (1999-11-23) column 10-, lines 37-67 - columns 11-12, lines 1-67; figures 12-14, 20A, 20B	1-7, 9
X	EP 1 455 162 A (SAMSUNG ELECTRONICS CO LTD [KR]) 8 September 2004 (2004-09-08) paragraphs [0078] - [0080] - paragraphs [0049], [0053], [0059]; figures 6A, 6B	1-8
A	US 2002/189351 A1 (REEDS JOHN W [US] ET AL) 19 December 2002 (2002-12-19)	5
A	paragraph [0017]	1-4, 6-9
A	US 5 955 668 A (HSU YING W [US] ET AL) 21 September 1999 (1999-09-21)	5
A	column 5, paragraph 3	1-4, 6-9
	-/--	

 Further documents are listed in the continuation of Box C. See patent family annex.

## \* Special categories of cited documents :

- \*A\* document defining the general state of the art which is not considered to be of particular relevance
- \*E\* earlier document but published on or after the international filing date
- \*L\* document which may throw doubts on priority claim(s) or which is cited to establish the publication date of another citation or other special reason (as specified)
- \*O\* document referring to an oral disclosure, use, exhibition or other means
- \*P\* document published prior to the international filing date but later than the priority date claimed

- \*T\* later document published after the international filing date or priority date and not in conflict with the application but cited to understand the principle or theory underlying the invention
- \*X\* document of particular relevance; the claimed invention cannot be considered novel or cannot be considered to involve an inventive step when the document is taken alone
- \*Y\* document of particular relevance; the claimed invention cannot be considered to involve an inventive step when the document is combined with one or more other such documents, such combination being obvious to a person skilled in the art.
- \*&\* document member of the same patent family

Date of the actual completion of the international search

29 February 2008

Date of mailing of the international search report

07/03/2008

Name and mailing address of the ISA/

European Patent Office, P.B. 5818 Patentlaan 2  
NL - 2280 HV Rijswijk  
Tel. (+31-70) 340-2040, Tx. 31 651 epo nl,  
Fax: (+31-70) 340-3016

Authorized officer

Dragomir, Adrian

## INTERNATIONAL SEARCH REPORT

International application No

PCT/JP2007/065108

C(Continuation). DOCUMENTS CONSIDERED TO BE RELEVANT

Category*	Citation of document, with indication, where appropriate, of the relevant passages	Relevant to claim No.
A	EP 1 677 074 A (SONY CORP [JP]) 5 July 2006 (2006-07-05)	6,7
A	paragraph [0025]; figure 3	1-5,8,9
A	US 2003/200803 A1 (PLATT WILLIAM R [US]) 30 October 2003 (2003-10-30)	6,7
A	paragraph [0013]	1-5,8,9
A	US 2 797 580 A (MARVIN TAYLOR) 2 July 1957 (1957-07-02)	8
A	column 1; paragraph 25-45; claim 4	1-7,9
A	GB 2 198 231 A (STC PLC STC PLC [GB]) 8 June 1988 (1988-06-08) page 1, paragraph 4; figure 1	1-9

# INTERNATIONAL SEARCH REPORT

Information on patent family members

International application No

PCT/JP2007/065108

Patent document cited in search report	Publication date	Patent family member(s)	Publication date
US 5987986	A	23-11-1999	NONE
EP 1455162	A	08-09-2004	CN 1530632 A 22-09-2004 JP 2004271526 A 30-09-2004 KR 20040079165 A 14-09-2004 US 2004231418 A1 25-11-2004
US 2002189351	A1	19-12-2002	AU 2002345705 A1 02-01-2003 EP 1440321 A2 28-07-2004 WO 02103364 A2 27-12-2002
US 5955668	A	21-09-1999	NONE
EP 1677074	A	05-07-2006	WO 2005038399 A1 28-04-2005 JP 2005195574 A 21-07-2005 KR 20060089741 A 09-08-2006 TW 264537 B 21-10-2006 US 2007151332 A1 05-07-2007
US 2003200803	A1	30-10-2003	AU 2003223779 A1 17-11-2003 CA 2483618 A1 13-11-2003 EP 1499854 A1 26-01-2005 JP 2005524077 T 11-08-2005 WO 03093763 A1 13-11-2003
US 2797580	A	02-07-1957	NONE
GB 2198231	A	08-06-1988	NONE