



US00D699779S

(12) **United States Design Patent**
Zhan

(10) **Patent No.:** **US D699,779 S**

(45) **Date of Patent:** **** Feb. 18, 2014**

(54) **LED SPOT LIGHT FOR CAMERA**

(76) Inventor: **Xiao-Ming Zhan**, Fujian (CN)

(**) Term: **14 Years**

(21) Appl. No.: **29/409,707**

(22) Filed: **Dec. 28, 2011**

(51) **LOC (10) Cl.** **16-05**

(52) **U.S. Cl.**
USPC **D16/239**

(58) **Field of Classification Search**
USPC D16/237, 239, 240; D26/24, 37-38, 63,
D26/110, 113, 129; 362/3, 16-18, 182, 552;
D13/180, 182; 313/313-316
See application file for complete search history.

(56) **References Cited**

U.S. PATENT DOCUMENTS

D412,338 S *	7/1999	Goto et al.	D16/239
D511,850 S *	11/2005	Huang	D26/28
D552,781 S *	10/2007	Kosche et al.	D26/63
D556,926 S *	12/2007	Thirouin	D26/37
D614,224 S *	4/2010	Orion et al.	D16/239
D639,469 S *	6/2011	Zhuang	D26/37
D650,109 S *	12/2011	Maxik et al.	D26/63
D651,731 S *	1/2012	Xu	D26/37
D653,693 S *	2/2012	Jannard et al.	D16/243
D655,735 S *	3/2012	Barley et al.	D16/203
D655,736 S *	3/2012	Barley et al.	D16/203
D659,867 S *	5/2012	Zhan	D26/37

D684,210 S *	6/2013	Boyle et al.	D16/242
2011/0122623 A1 *	5/2011	Miura	362/249.02
2011/0292651 A1 *	12/2011	Kovacik et al.	362/235

OTHER PUBLICATIONS

Bescor LED-25 25W LED On-Camera Light. [online] Retrieved online Aug. 8, 2013 from URL: <http://www.bhphotovideo.com/product/681139-REG/Bescor_LED25_LED_25_25W_LED_On_Camera.html>.*

* cited by examiner

Primary Examiner — Susan Bennett Hattan

Assistant Examiner — Vy Koenig

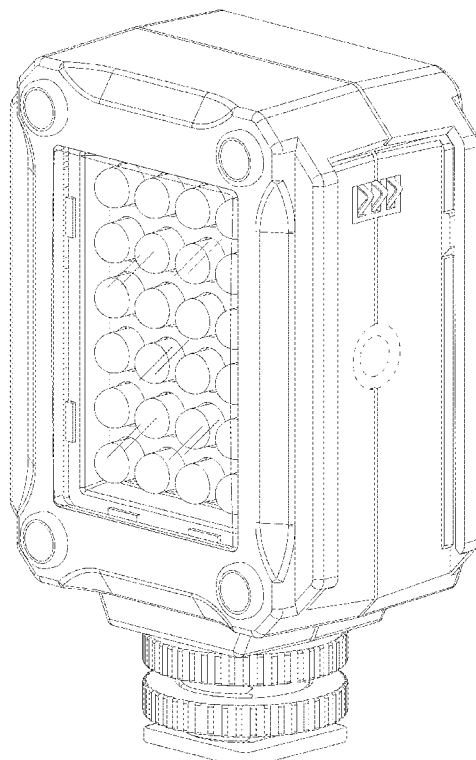
(57) **CLAIM**

The ornamental design for a LED spot light for camera, as shown and described.

DESCRIPTION

FIG. 1 is a perspective view showing LED spot light for camera of my present design, FIG. 2 is a front view thereof; FIG. 3 is a rear view thereof; FIG. 4 is a left side view thereof; FIG. 5 is a right side view thereof; FIG. 6 is a top view thereof; and, FIG. 7 is a bottom view thereof. The broken lines in the drawings depict environmental features that form no part of the claimed design.

1 Claim, 7 Drawing Sheets



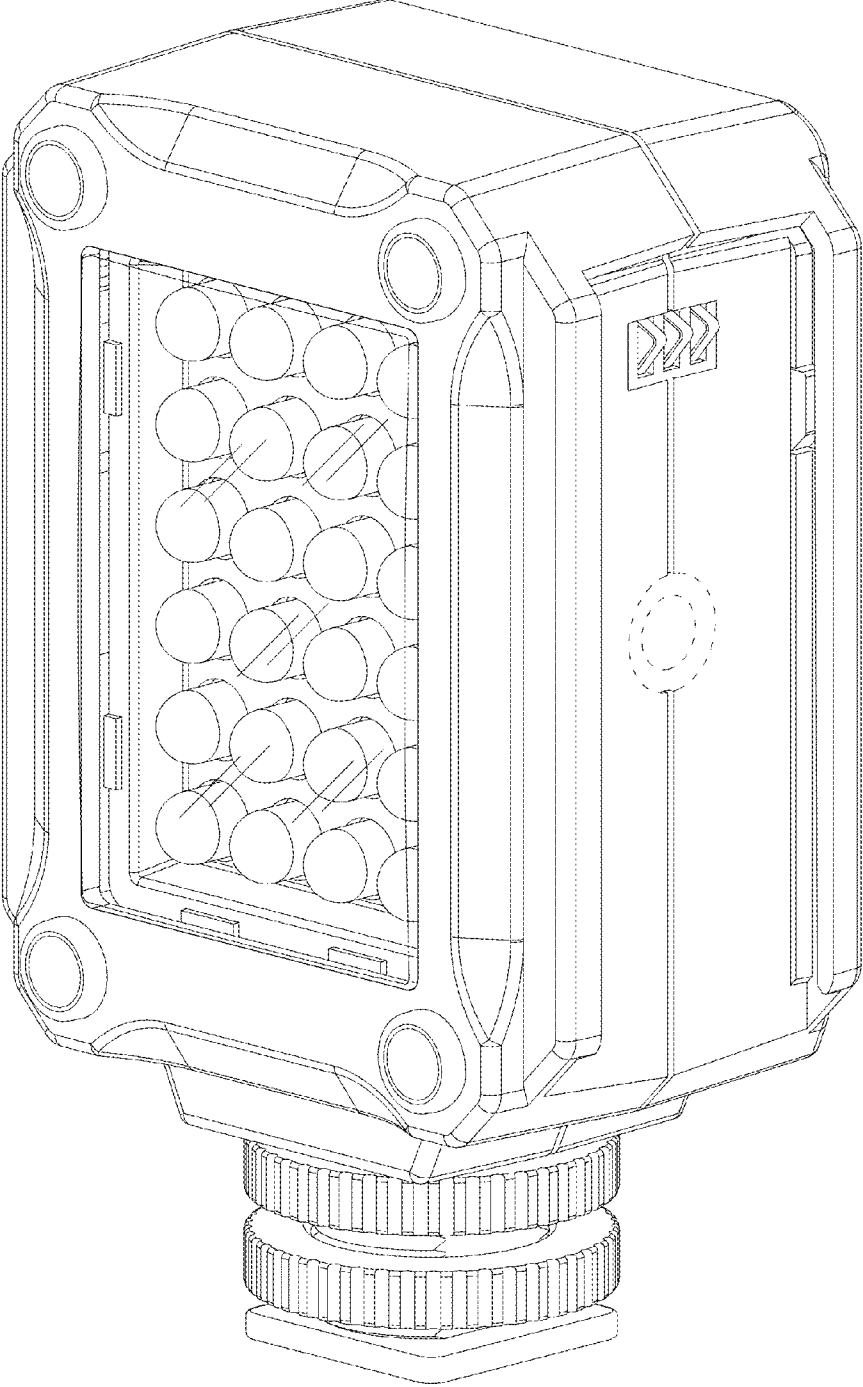


FIG. 1

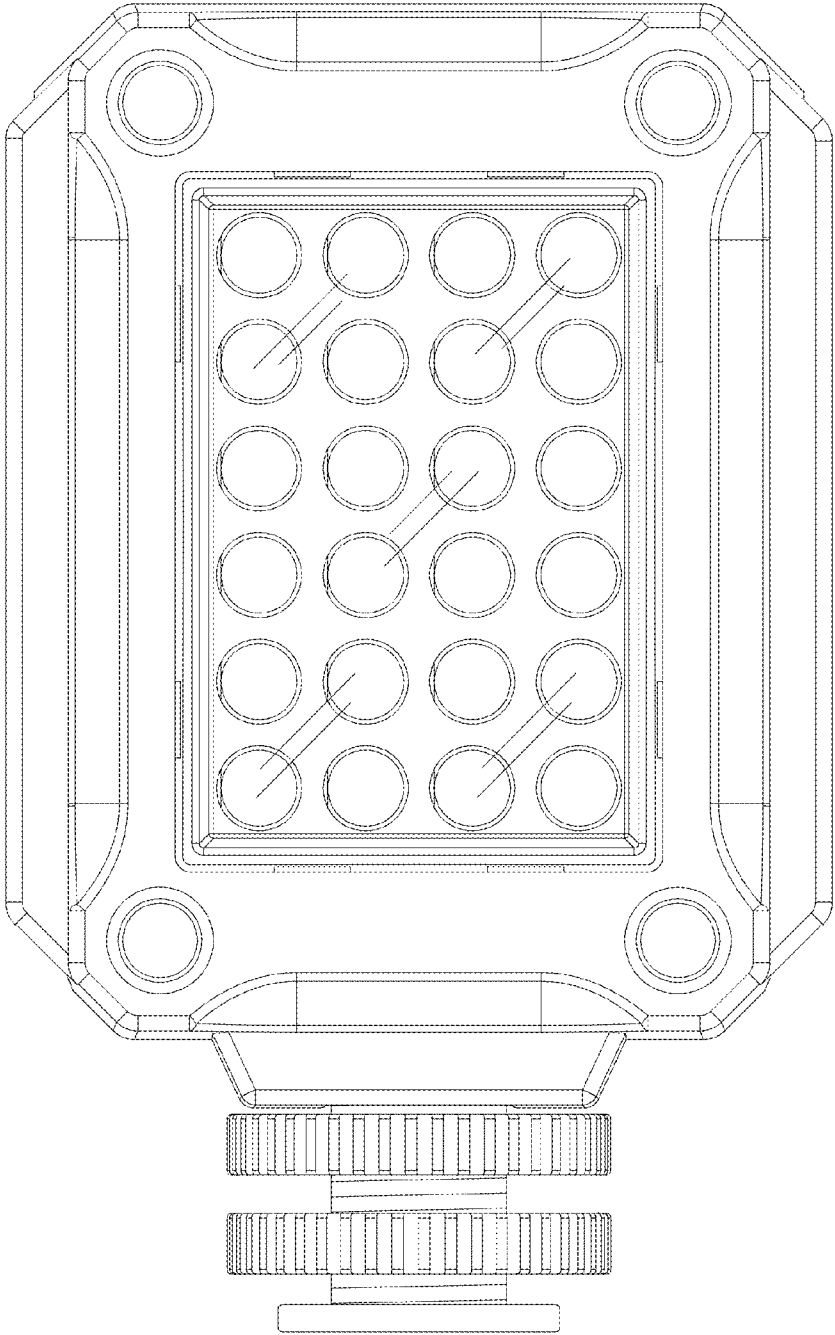


FIG. 2

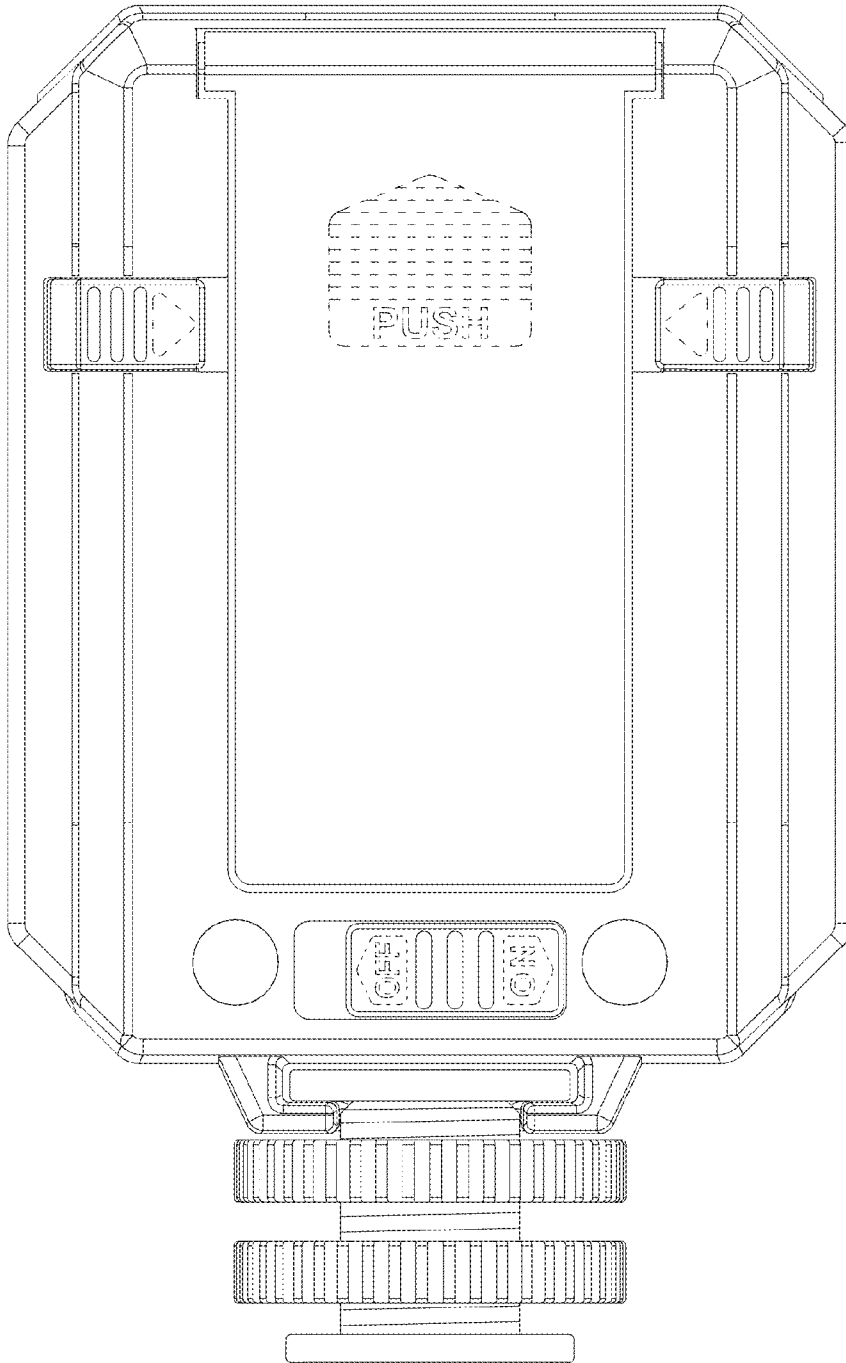


FIG. 3

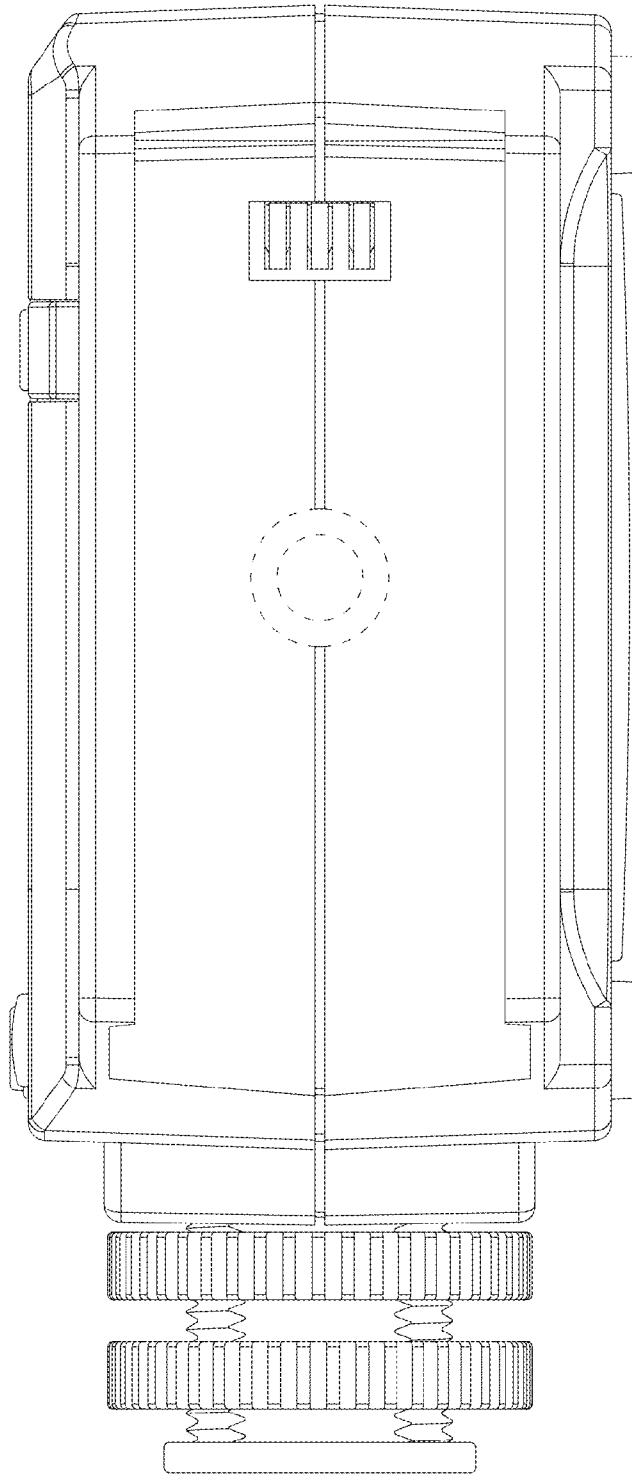


FIG. 4

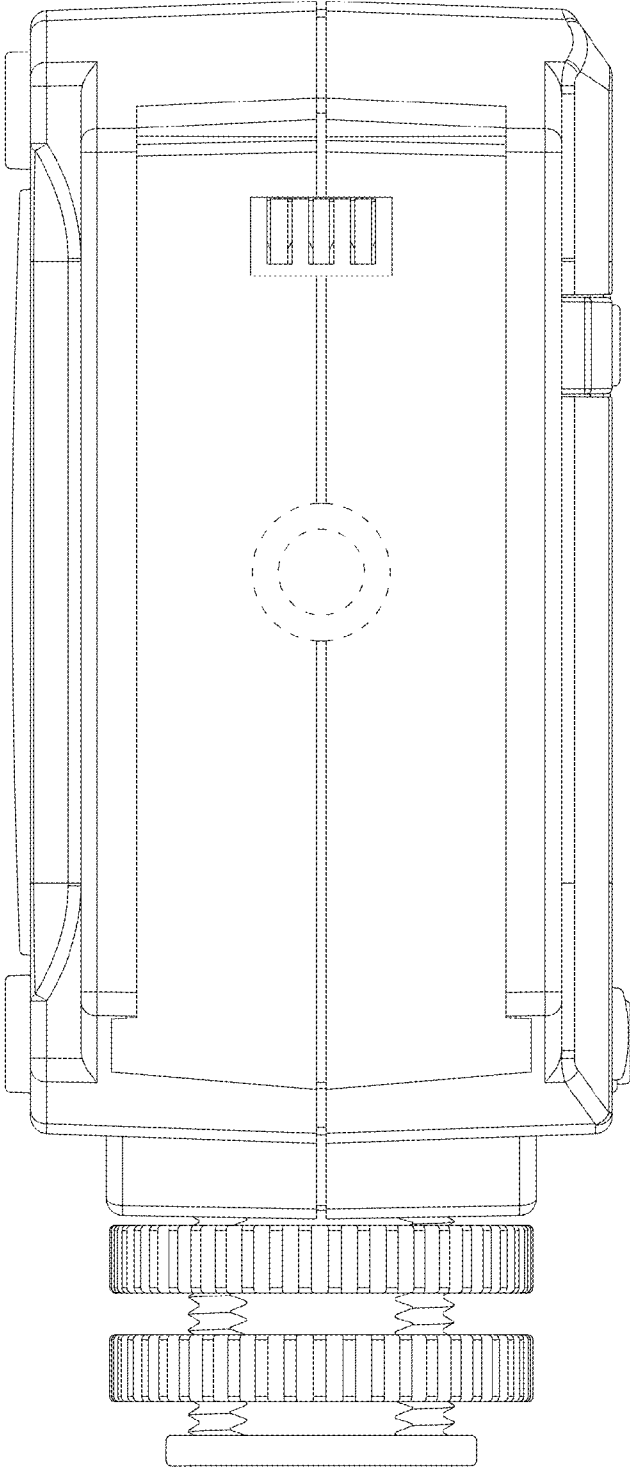


FIG. 5

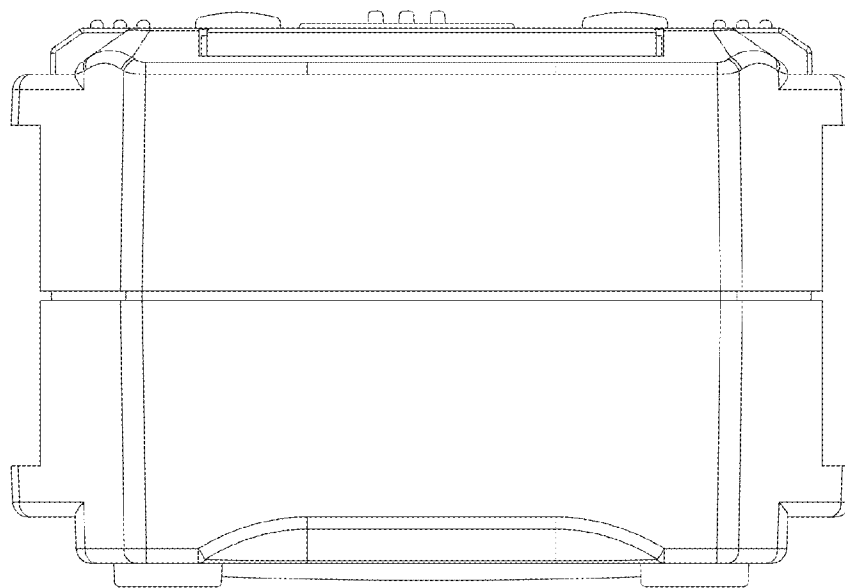


FIG. 6

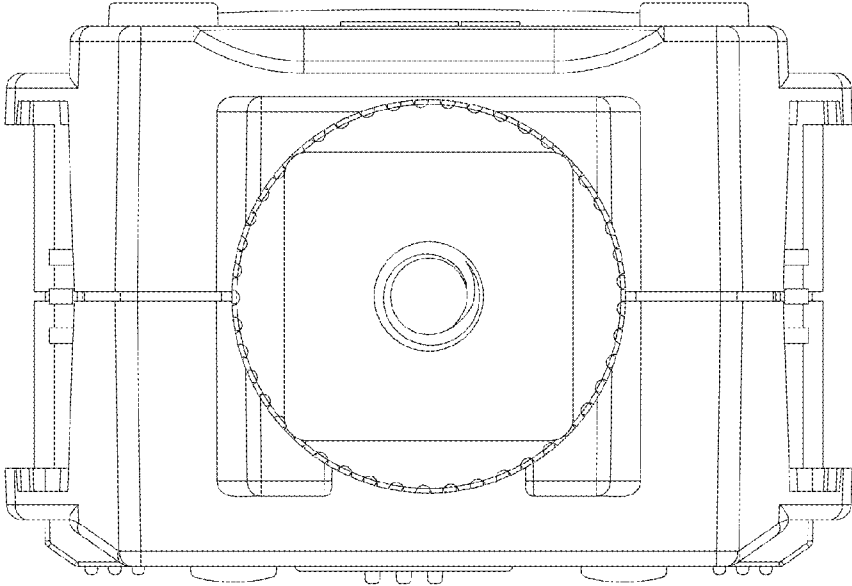


FIG. 7