



US0D1027158S

(12) **United States Design Patent**
Zhou et al.

(10) **Patent No.:** **US D1,027,158 S**

(45) **Date of Patent:** **** May 14, 2024**

(54) **CEILING FAN**

FOREIGN PATENT DOCUMENTS

(71) Applicant: **Haiyan Zhou**, Zhongshan (CN)

CN 305627288 * 2/2020
NZ 428069-0001 * 12/2021

(72) Inventors: **Haiyan Zhou**, Zhongshan (CN);
Peihua Huo, Zhongshan (CN)

OTHER PUBLICATIONS

(73) Assignee: **Haiyan Zhou**, Zhongshan (CN)

Article Name, posted Jun. 6, 2023 [online], [retrieved Feb. 5, 2024]. Retrieved from internet, https://www.amazon.com/DIGLED-Ceiling-Control-Noiseless-Reversible/dp/B0C4FJG13D?ref_ast_sto_dp&th=1 (Year: 2023).*

(**) Term: **15 Years**

* cited by examiner

(21) Appl. No.: **29/922,679**

(22) Filed: **Dec. 25, 2023**

(51) **LOC (14) Cl.** **23-04**

(52) **U.S. Cl.**
USPC **D23/377**

(58) **Field of Classification Search**
USPC D23/370, 377, 379, 385, 411-414;
D26/59
CPC F04D 29/38; F04D 29/384; F04D 29/386;
F04D 25/088; F21V 33/0096
See application file for complete search history.

Primary Examiner — Richard Edgar
Assistant Examiner — Carolyn W Davis

(57) **CLAIM**

The ornamental design for a ceiling fan, as shown and described.

(56) **References Cited**

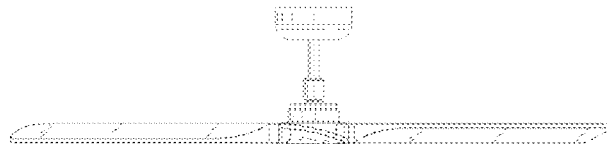
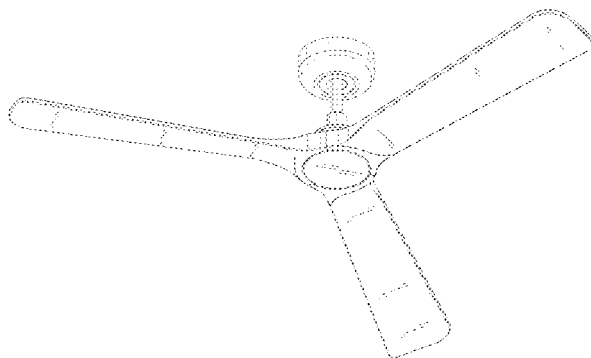
DESCRIPTION

U.S. PATENT DOCUMENTS

D800,291 S	*	10/2017	Wang	D23/385
D835,251 S	*	12/2018	Baek	D23/377
D858,735 S	*	9/2019	Wang	D23/377
D940,847 S	*	1/2022	Wang	D23/377
D978,323 S	*	2/2023	Hu	D23/377
D998,130 S		9/2023	Shi		
D1,002,048 S	*	10/2023	He	D26/59
D1,011,501 S	*	1/2024	Ren	D23/377
D1,011,578 S	*	1/2024	Chen	D23/377
D1,012,260 S	*	1/2024	Huang	D23/370
D1,013,141 S	*	1/2024	Huang	D23/370

FIG. 1 is a front perspective view of a ceiling fan, showing our new design;
FIG. 2 is a front view thereof;
FIG. 3 is a rear view thereof;
FIG. 4 is a left side view thereof;
FIG. 5 is a right side view thereof;
FIG. 6 is a top view thereof; and,
FIG. 7 is a bottom view thereof.
The broken lines in the drawings illustrate the portions of the ceiling fan, which form no part of the claimed design.

1 Claim, 7 Drawing Sheets



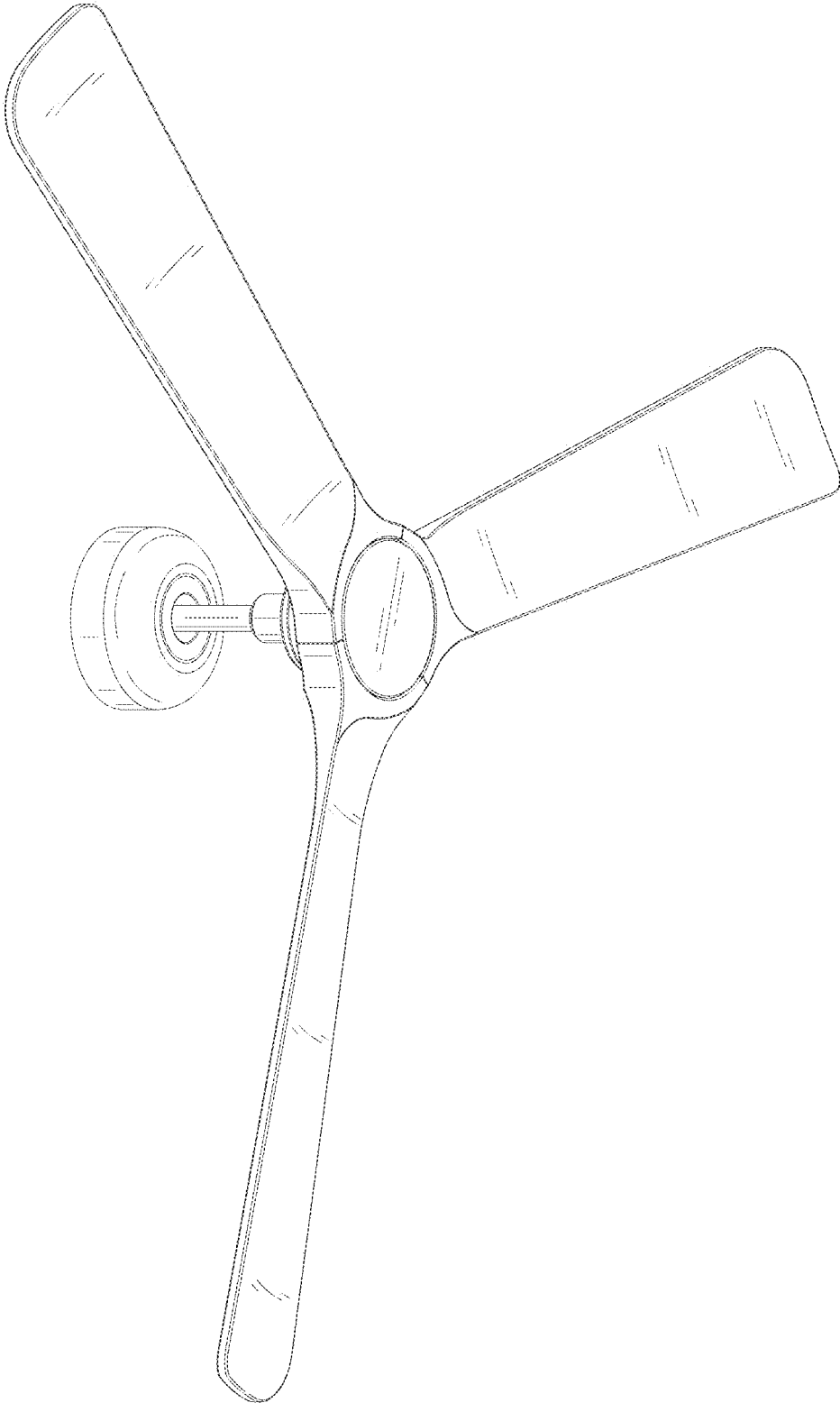


FIG. 1

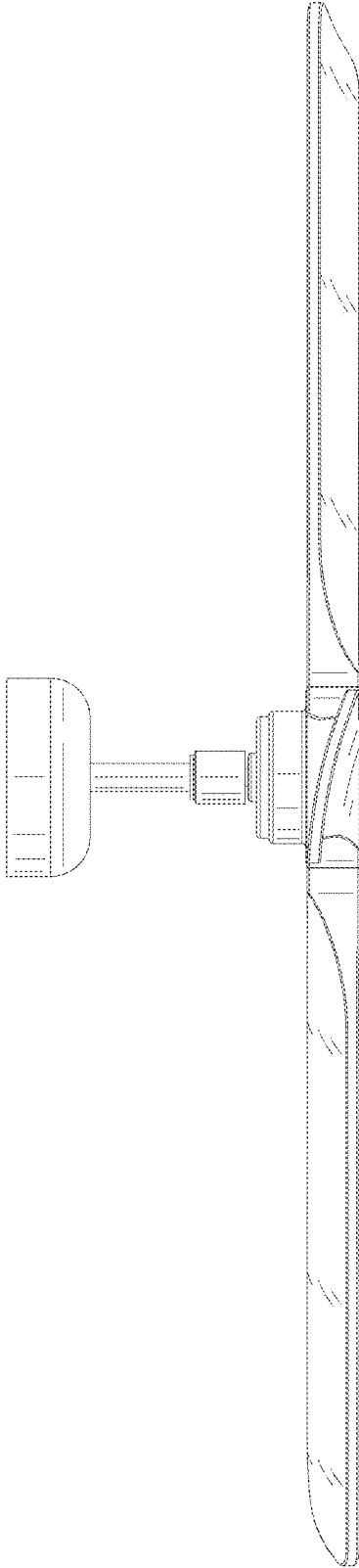


FIG. 2

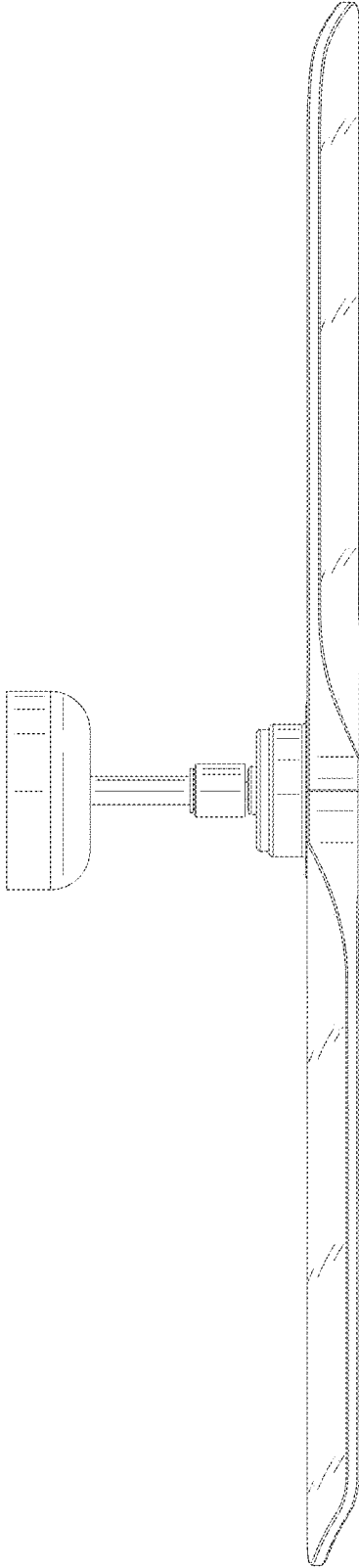


FIG. 3

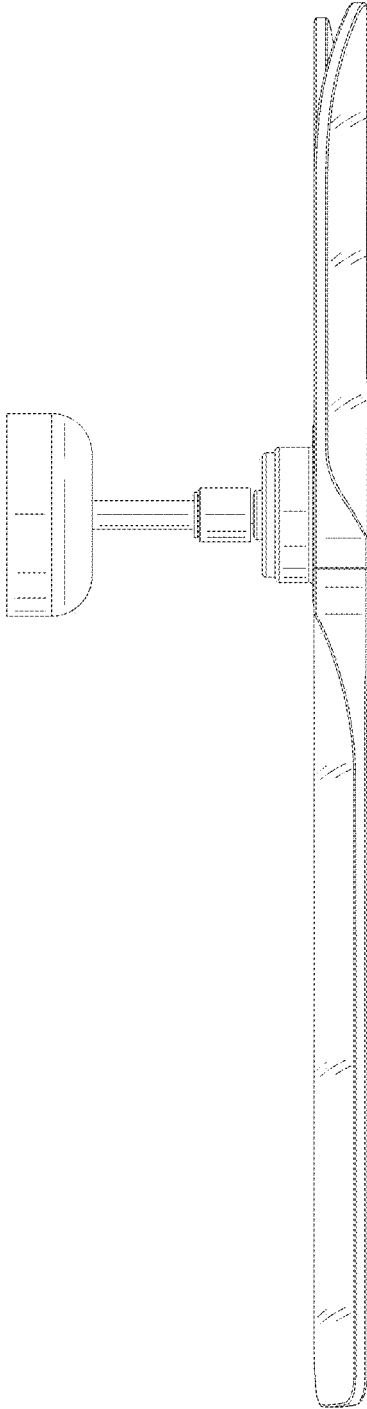


FIG. 4

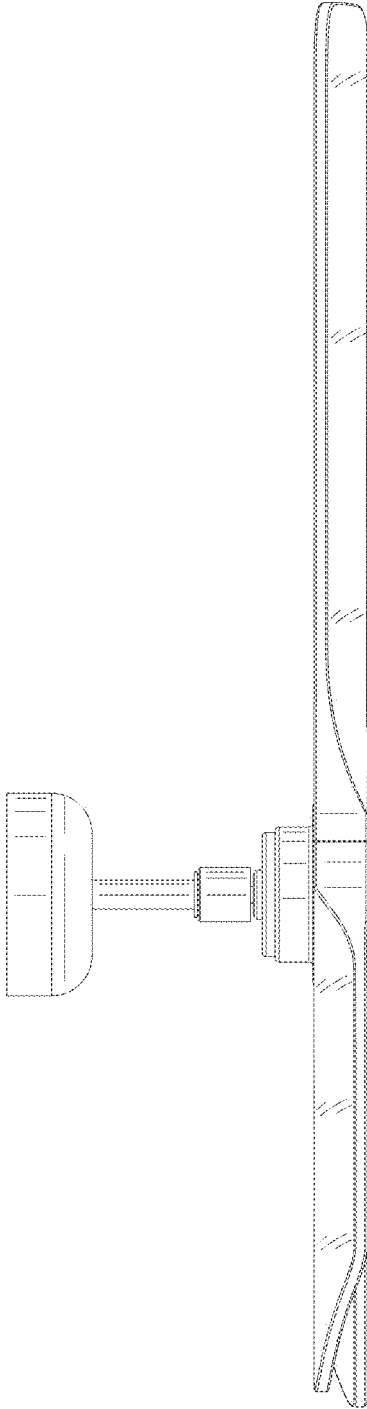


FIG. 5

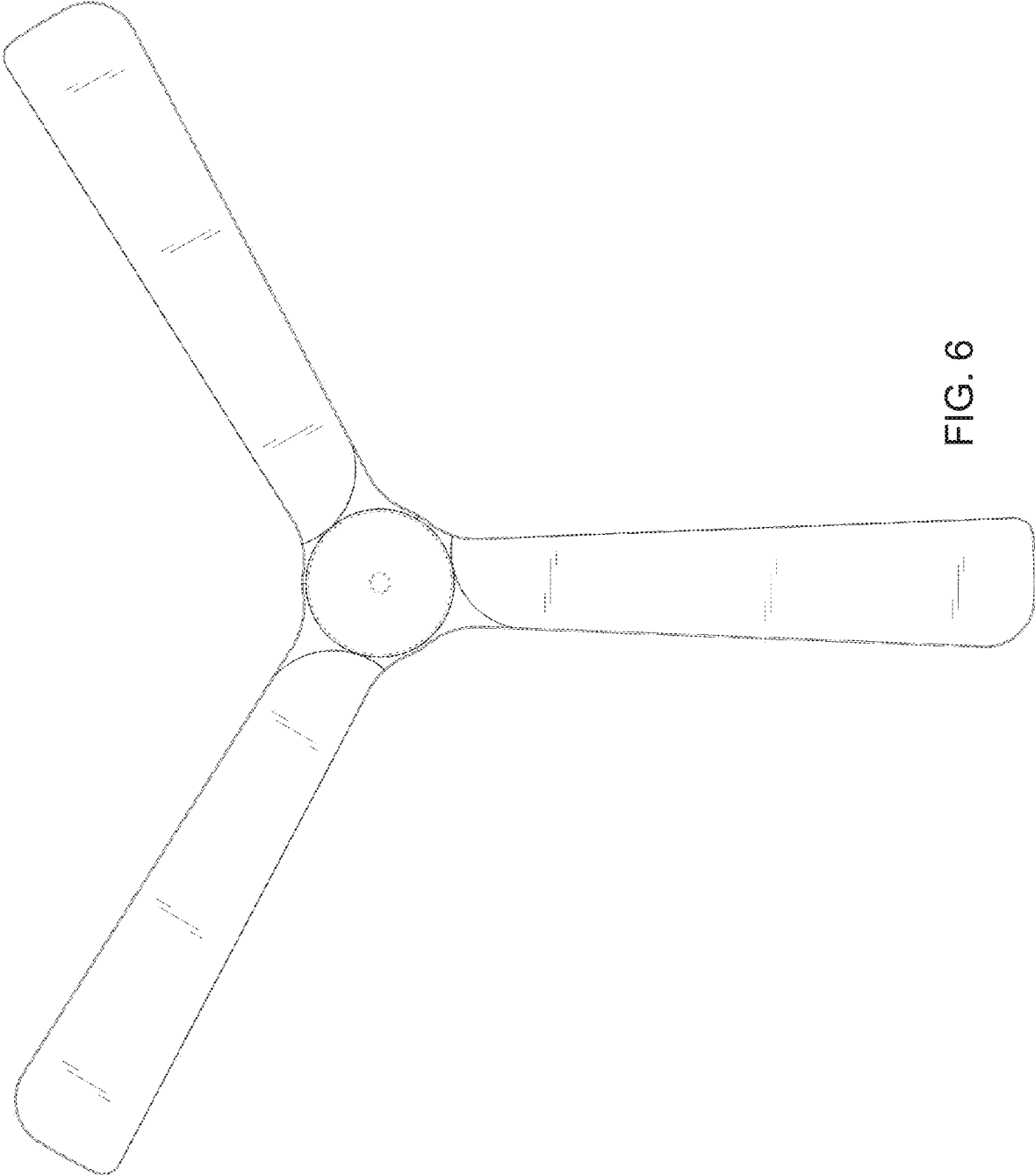


FIG. 6

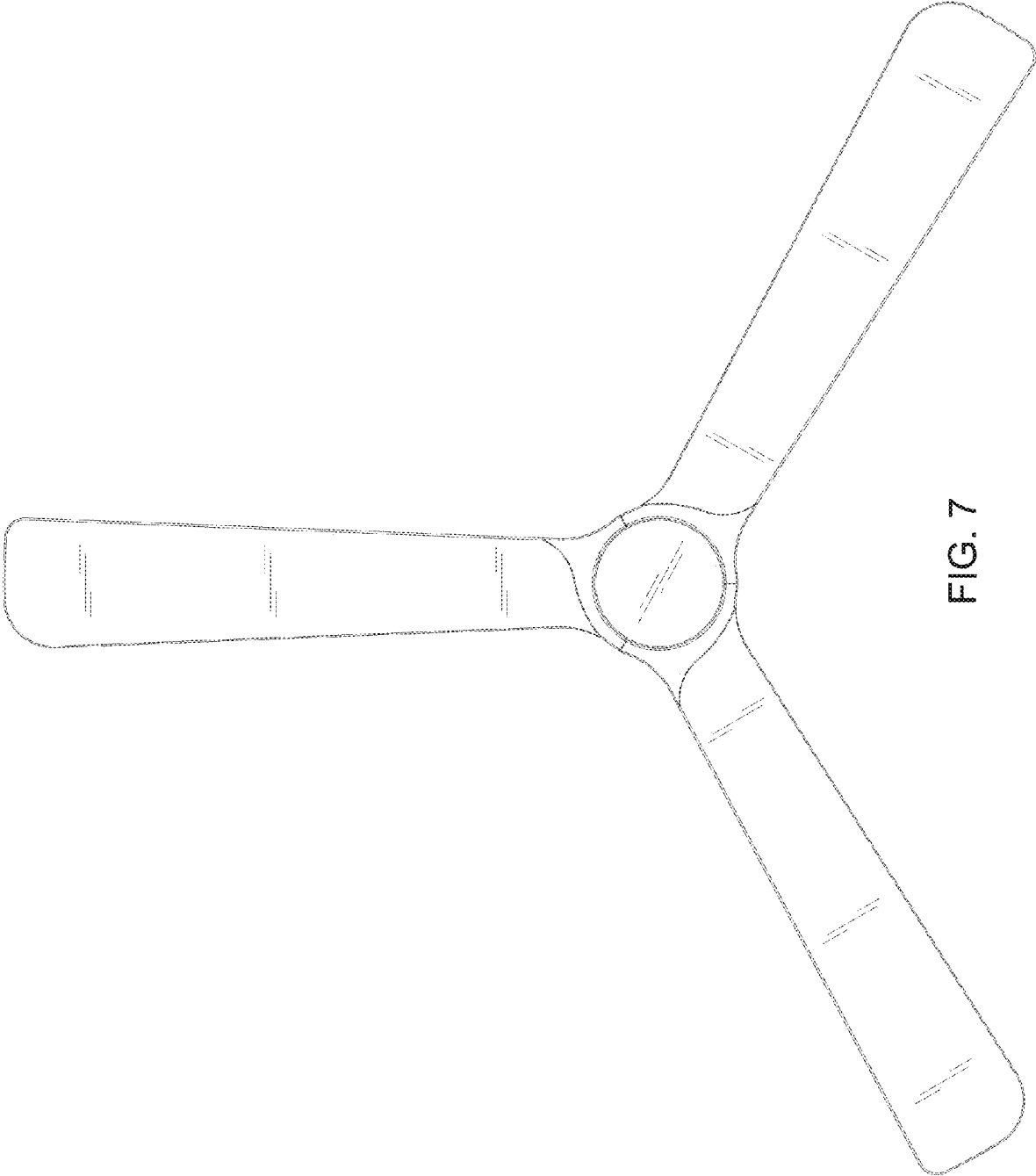


FIG. 7