



US00D659592S

(12) **United States Design Patent**  
**Wang et al.**

(10) **Patent No.:** **US D659,592 S**

(45) **Date of Patent:** **\*\* May 15, 2012**

(54) **STUD WITH CIRCULAR CHANNELS FOR A FASHION ARTICLE**

(75) Inventors: **Alexander Wang**, New York, NY (US);  
**Jennifer Newman**, Brooklyn, NY (US)

(73) Assignee: **Alexander Wang Incorporated**, New York, NY (US)

(\*\*) Term: **14 Years**

(21) Appl. No.: **29/361,193**

(22) Filed: **May 6, 2010**

(51) **LOC (9) Cl.** ..... **02-07**

(52) **U.S. Cl.** ..... **D11/222**

(58) **Field of Classification Search** ..... D11/200–206,  
D11/212–214, 222–231, 238–241; 24/41.1,  
24/66.5, 40–48, 305, 356, 705, 101 R, 94–95,  
24/103, 104, 598.1; 63/12, 15, 18, 20–21,  
63/35, 37–38; D8/356; 362/103; D29/122  
See application file for complete search history.

(56) **References Cited**

**U.S. PATENT DOCUMENTS**

2,081,196	A	*	5/1937	Emsig	.....	24/95
3,028,646	A	*	4/1962	Janes	.....	24/94
D263,765	S	*	4/1982	Engelhardt	.....	D11/226
D274,017	S	*	5/1984	Engelhardt	.....	D11/226
D318,412	S	*	7/1991	Williams	.....	D8/356
D337,255	S	*	7/1993	Novelli, Sr.	.....	D8/356
D337,967	S	*	8/1993	Wright	.....	D11/226
D344,252	S	*	2/1994	Choi	.....	D11/222
D354,720	S	*	1/1995	Estes	.....	D11/222
D355,396	S	*	2/1995	Andrau	.....	D11/222
D377,919	S	*	2/1997	Singer et al.	.....	D11/226
D397,064	S	*	8/1998	Nelson	.....	D11/222
D449,564	S	*	10/2001	Platt	.....	D11/222

D508,432	S	*	8/2005	Cogoli et al.	.....	D11/222
D546,730	S	*	7/2007	Nichanian	.....	D11/226
D547,236	S	*	7/2007	Arasheben et al.	.....	D11/222
D551,117	S	*	9/2007	Edocs	.....	D11/222
D578,037	S	*	10/2008	Edocs	.....	D11/222
D592,097	S	*	5/2009	Androuais	.....	D11/222
D625,052	S	*	10/2010	Mastoras et al.	.....	D29/122
D625,659	S	*	10/2010	Sawyer	.....	D11/222
D645,785	S	*	9/2011	Wang et al.	.....	
2006/0007668	A1	*	1/2006	Chien	.....	362/103
2008/0060110	A1	*	3/2008	Schmelzer et al.	.....	24/598.1

**OTHER PUBLICATIONS**

Declaration of Dennis Wang including photograph of stud for a fashion article labeled “Channel Rivet” first shown in public in Feb. 2009 (4 pages).

\* cited by examiner

*Primary Examiner* — T. Chase Nelson

*Assistant Examiner* — Mark Cavanna

(74) *Attorney, Agent, or Firm* — McCarter & English, LLP

(57) **CLAIM**

The ornamental design for a stud with circular channels for a fashion article, as shown and described.

**DESCRIPTION**

FIG. 1 is a top perspective view of a stud showing our new design;

FIG. 2 is a top plan view thereof;

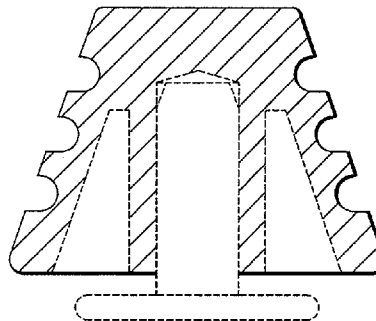
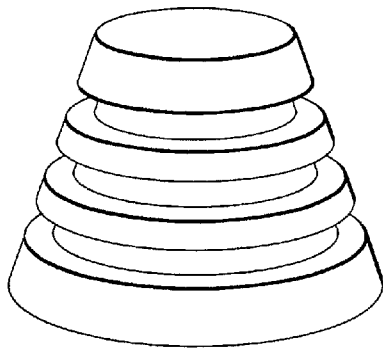
FIG. 3 is a side elevational view thereof;

FIG. 4 is a bottom plan view thereof; and,

FIG. 5 is a vertical cross-sectional view of the stud.

The broken lines shown are for illustrative purposes only and form no part of the claimed design.

**1 Claim, 2 Drawing Sheets**



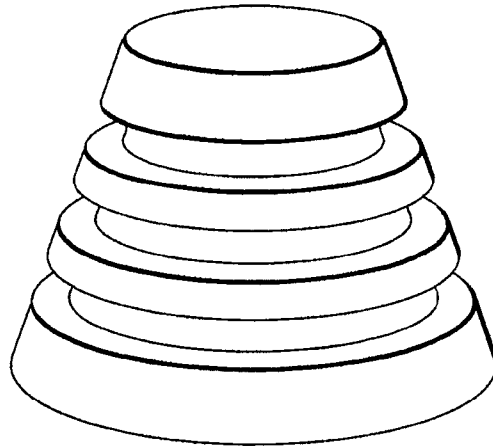


FIG. 1

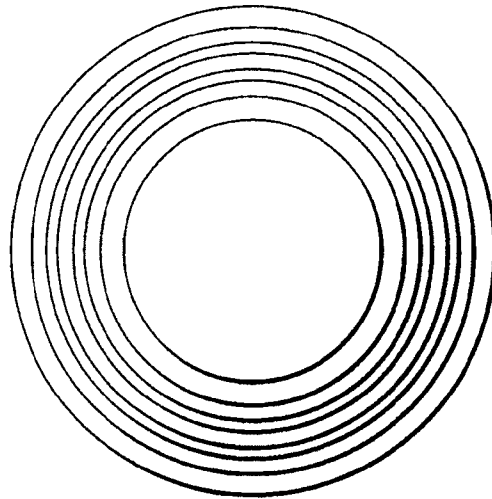


FIG. 2

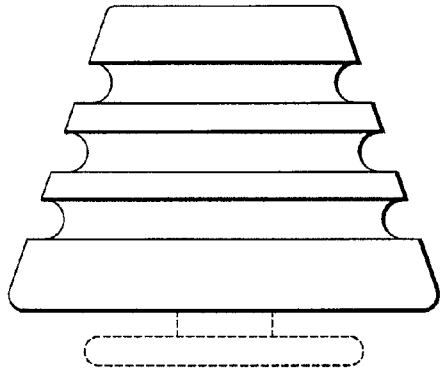


FIG. 3

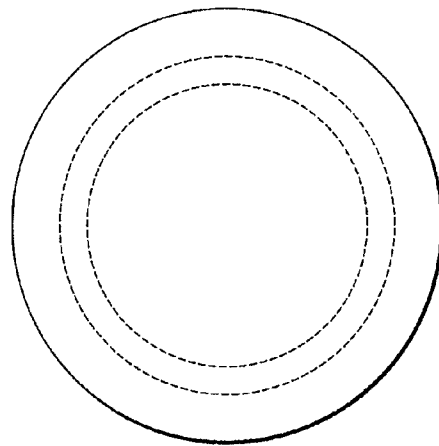


FIG. 4

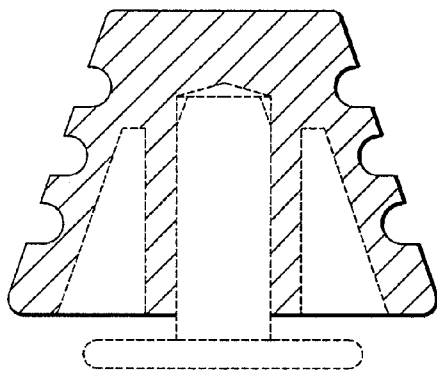


FIG. 5