



US0D1048829S

(12) **United States Design Patent**
Xia et al.

(10) **Patent No.:** **US D1,048,829 S**

(45) **Date of Patent:** **** *Oct. 29, 2024**

(54) **FOOD PLATE**

D899,877 S * 10/2020 Jalet D7/698
D939,297 S * 12/2021 Li D7/698
D939,298 S * 12/2021 Li D7/698

(Continued)

(71) Applicant: **Ningbo Qisen Technology Co., Ltd,**
Zhejiang (CN)

(72) Inventors: **Zhuan Xia,** Zhejiang (CN); **Meng Wang,** Zhejiang (CN)

(73) Assignee: **Ningbo Qisen Technology Co., Ltd,**
Ningbo (CN)

(*) Notice: This patent is subject to a terminal disclaimer.

(**) Term: **15 Years**

(21) Appl. No.: **29/927,379**

(22) Filed: **Feb. 4, 2024**

(51) **LOC (14) Cl.** **07-04**

(52) **U.S. Cl.**
USPC **D7/698**

(58) **Field of Classification Search**

USPC D7/396.1, 500, 501, 505, 541, 542, 546,
D7/548, 549, 550.1, 551.1, 553.1, 553.2,
D7/554.3, 555, 558, 586, 600.1, 601, 602,
D7/629, 643, 698, 699, 701
CPC A47G 19/00; A47G 19/02; A47G 19/04;
A47G 19/06; A47G 23/06; A47G
23/0608; A47J 47/00; A47J 47/005; A47L
13/52; A22C 17/0013; B26D 7/0006;
B26D 7/018; B26D 7/20

See application file for complete search history.

(56) **References Cited**

U.S. PATENT DOCUMENTS

D327,200 S * 6/1992 Szablak D7/550.1
D530,155 S 10/2006 Chang
D601,855 S 10/2009 Sandhu
D846,363 S * 4/2019 Agahian D7/698

OTHER PUBLICATIONS

Bambusi Charcuterie Board, posted at Amazon.com on Apr. 4, 2016, [site visited Mar. 5, 2024]. Available from internet, URL: <<https://www.amazon.com/dp/B01DTFFOY8/>> (Year: 2016).*

(Continued)

Primary Examiner — Andrew Kerr
Assistant Examiner — Chariton Alexakis

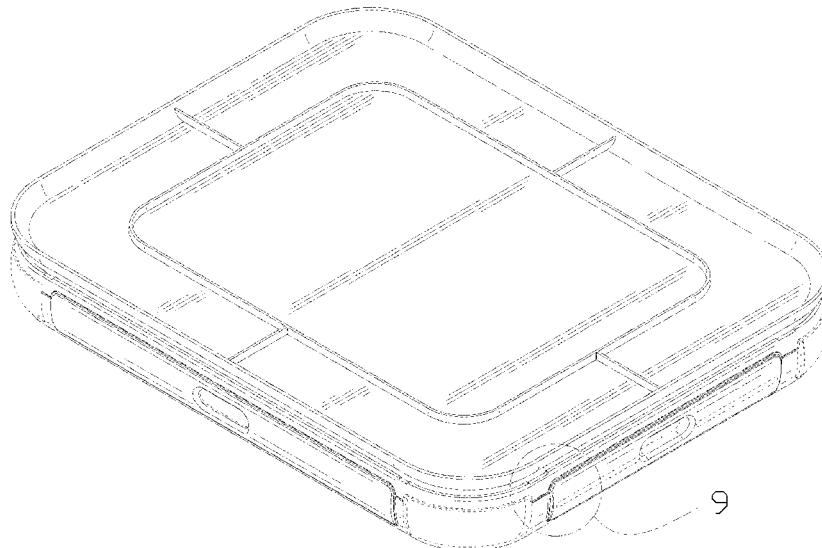
(57) **CLAIM**

The ornamental design for a food plate, as shown and described.

DESCRIPTION

FIG. 1 is a front, right, and top perspective view of a food plate showing our new design; FIG. 2 is a rear, left, and bottom perspective view thereof; FIG. 3 is a front elevation view thereof; FIG. 4 is a rear elevation view thereof; FIG. 5 is a left side elevation view thereof; FIG. 6 is a right side elevation view thereof; FIG. 7 is a top plan view thereof; FIG. 8 is a bottom plan view thereof; FIG. 9 is an enlarged view of portion 9 shown in FIG. 1; FIG. 10 is a perspective view of the food plate thereof but showing an alternate position; and, FIG. 11 is a perspective view of the food plate thereof but showing another alternate position. The dash-dash broken lines in the drawings depict portions of the food plate that form no part of the claimed design. The remaining dash-dash broken lines depicting some knives placed in the front plate shown in FIG. 11 represent environmental subject matters and form no part of the claimed design. The dot-dash broken lines represent boundaries of the enlarged portion and form no part of the claimed design.

1 Claim, 11 Drawing Sheets



(56)

References Cited

U.S. PATENT DOCUMENTS

D946,364	S *	3/2022	Wang	D7/698
D964,824	S *	9/2022	Li	D7/698
D964,825	S *	9/2022	Hou	D7/698
D965,396	S *	10/2022	Xie	D7/698
D993,725	S *	8/2023	Glanville	D7/698
D1,003,659	S *	11/2023	Li	D7/505
2008/0179805	A1 *	7/2008	Shew	A47J 43/25 269/289 R
2009/0200723	A1 *	8/2009	Lim	A47J 47/005 269/289 R
2013/0076054	A1 *	3/2013	Graham	A47G 23/06 294/146
2020/0260894	A1 *	8/2020	Weldon	A47G 19/06
2022/0273082	A1 *	9/2022	Nie	A45C 13/1076

OTHER PUBLICATIONS

Shanik Cheese Board, posted at Amazon.com on Aug. 14, 2018, [site visited Mar. 5, 2024]. Available from internet, URL: <<https://www.amazon.com/dp/B07GFVK13N/>> (Year: 2018).*

Smirly Charcuterie Board, posted at Amazon.com on May 22, 2019, [site visited Mar. 5, 2024]. Available from internet, URL: <<https://www.amazon.com/SMIRLY-Charcuterie-Boards-Warming-Anniversary/dp/B07S4D3LGF/>> (Year: 2019).*

* cited by examiner

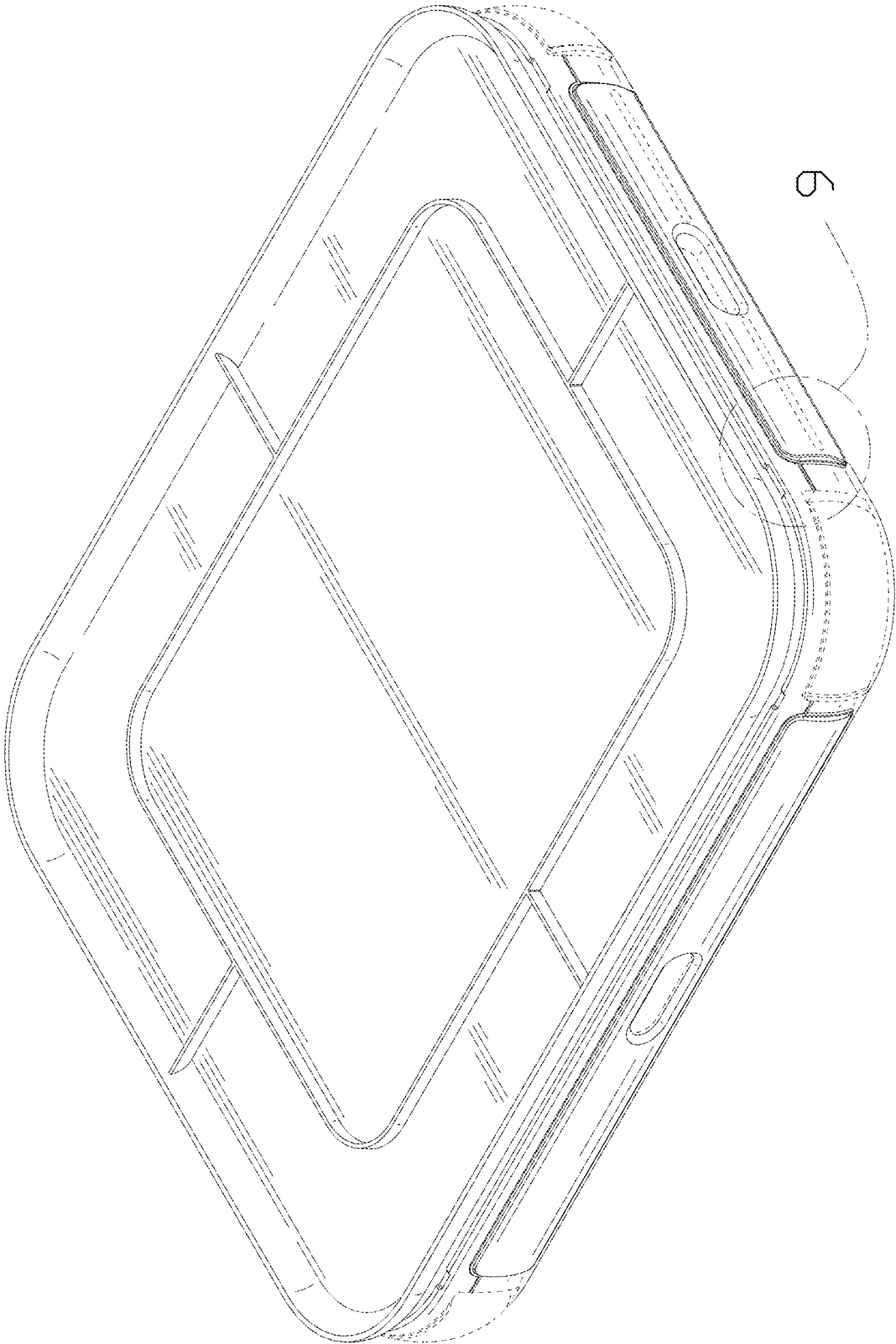


FIG. 1

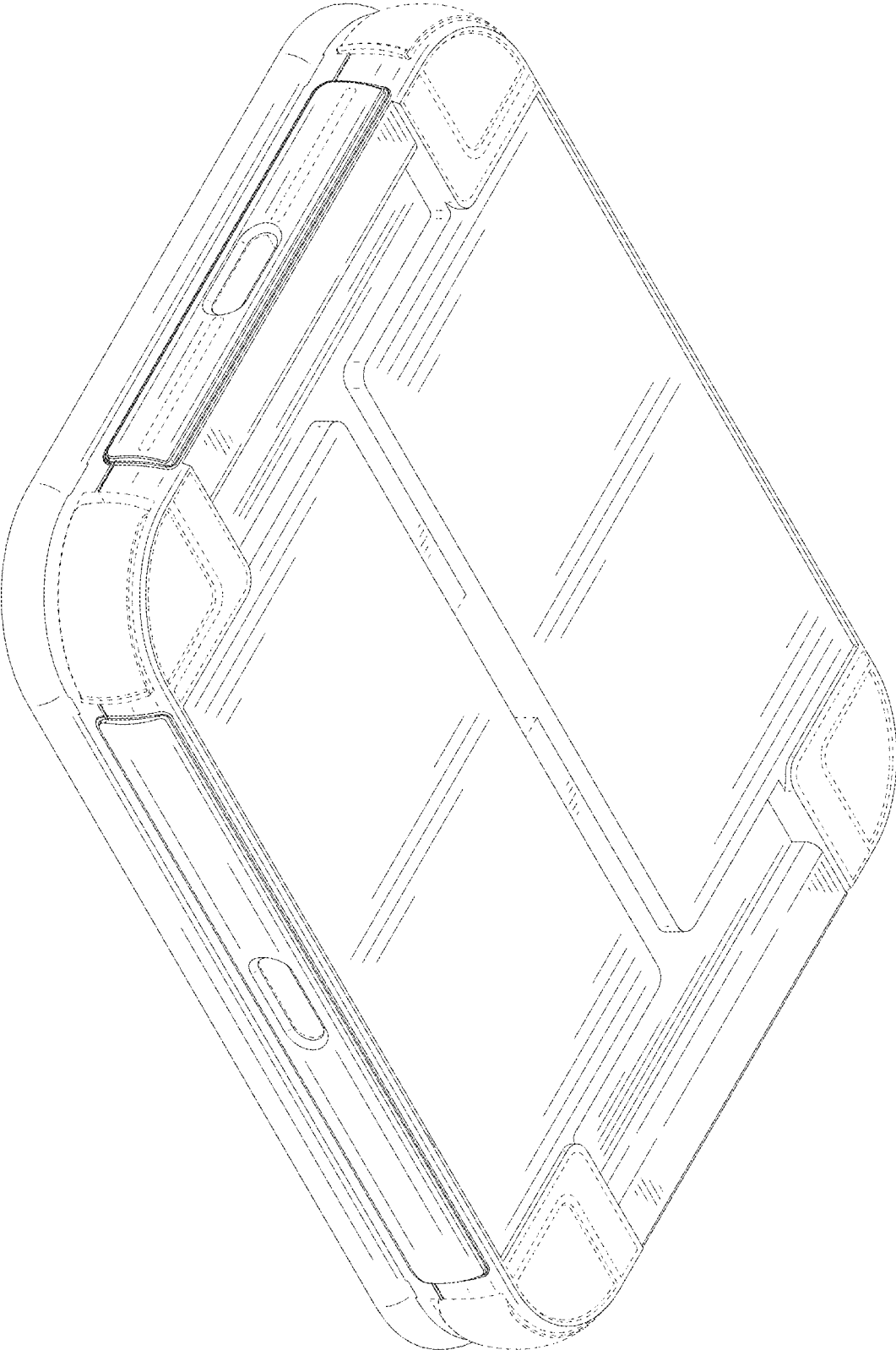


FIG. 2

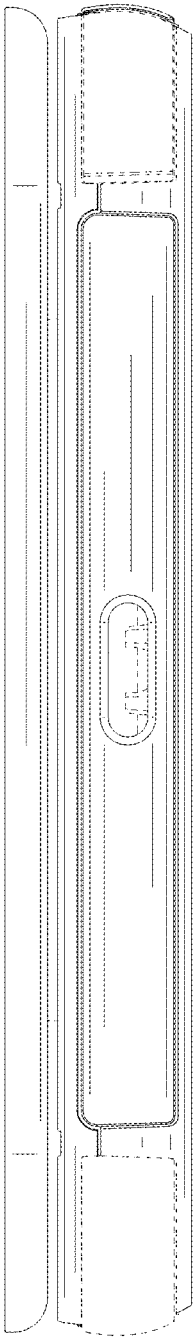


FIG. 3

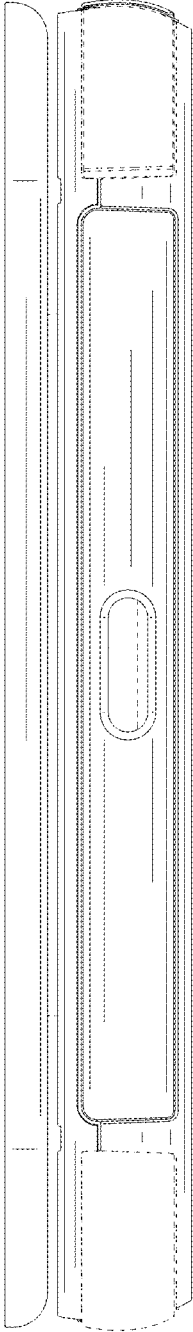


FIG. 4

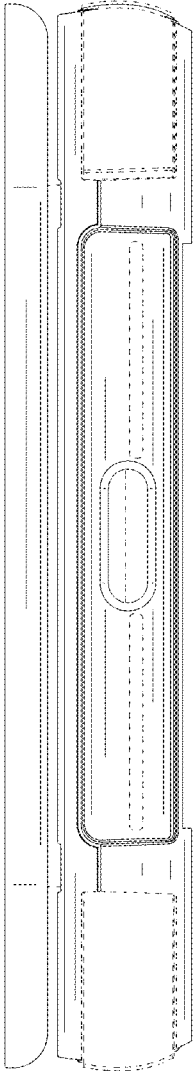


FIG. 5

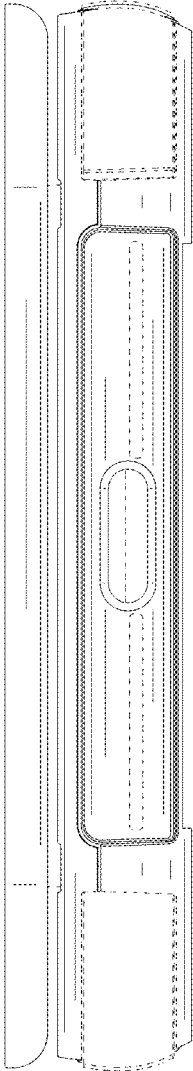


FIG. 6

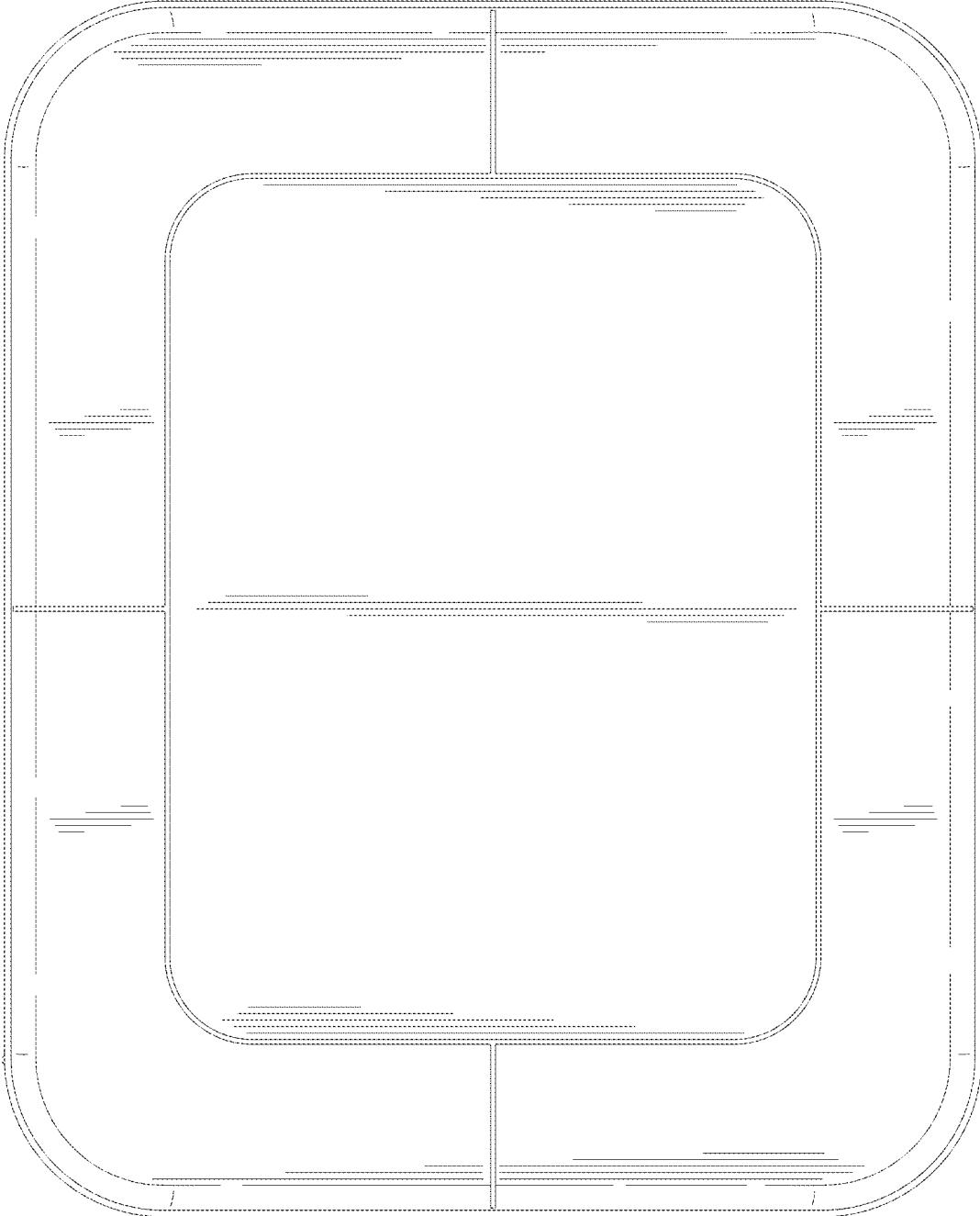


FIG. 7

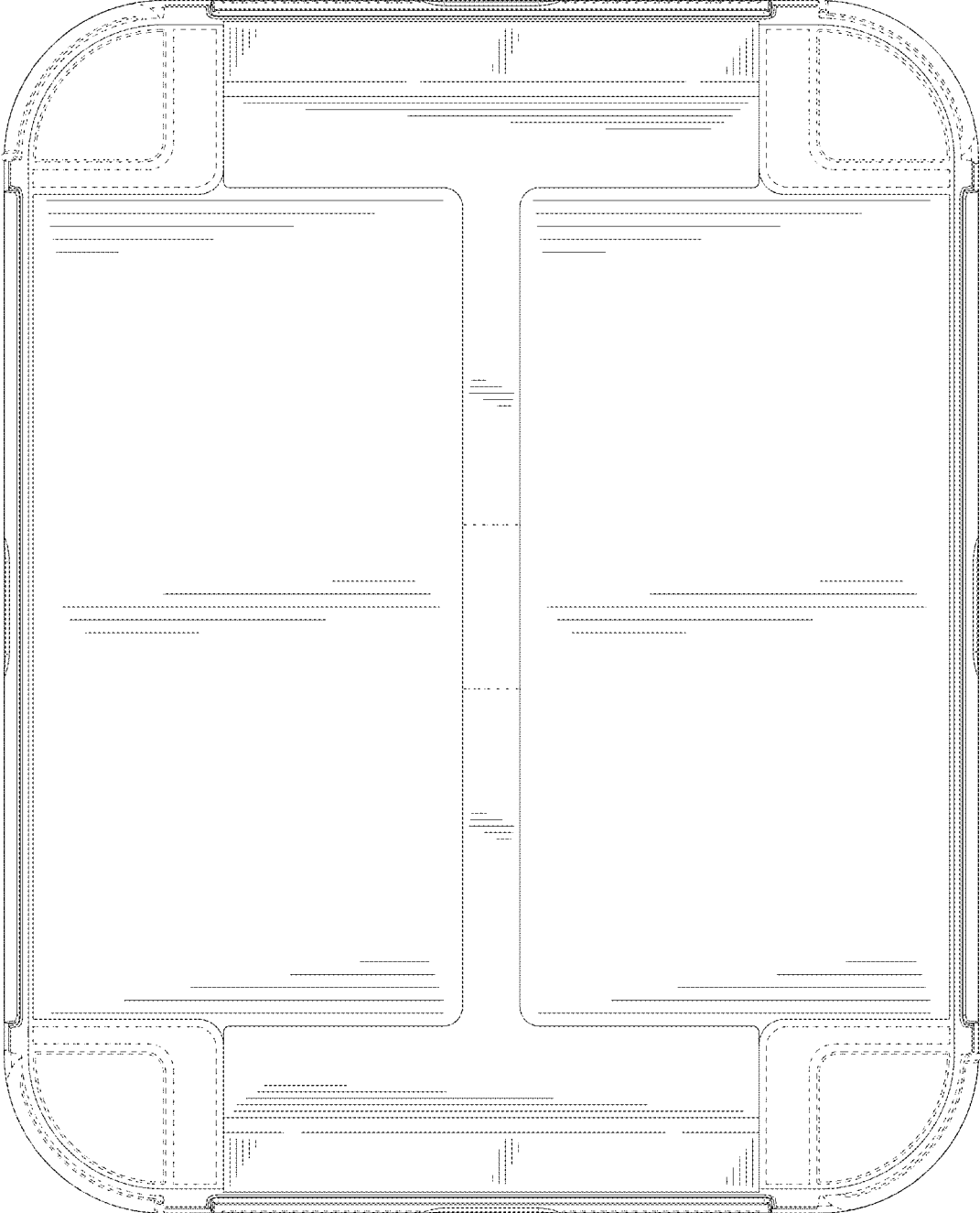


FIG. 8

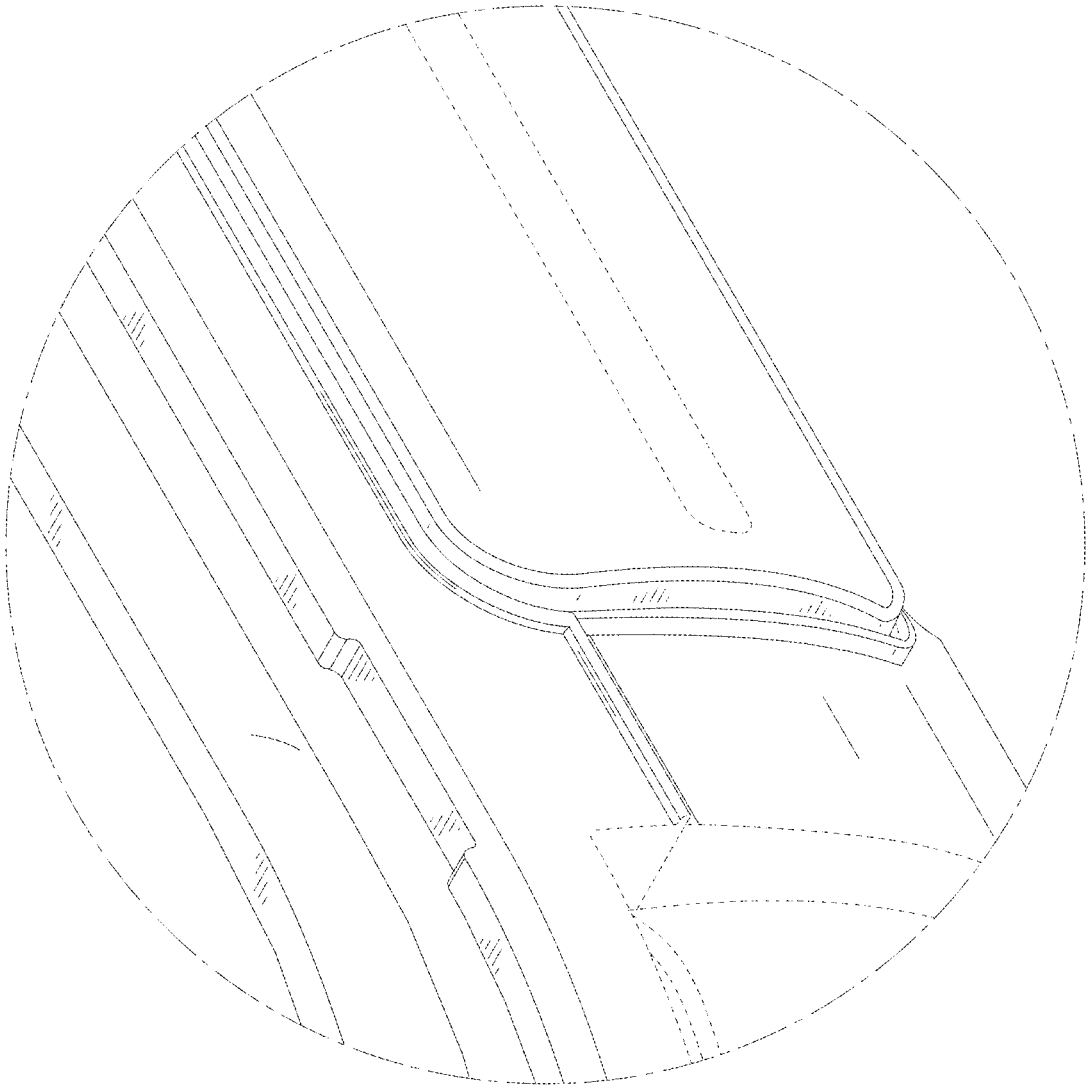


FIG. 9

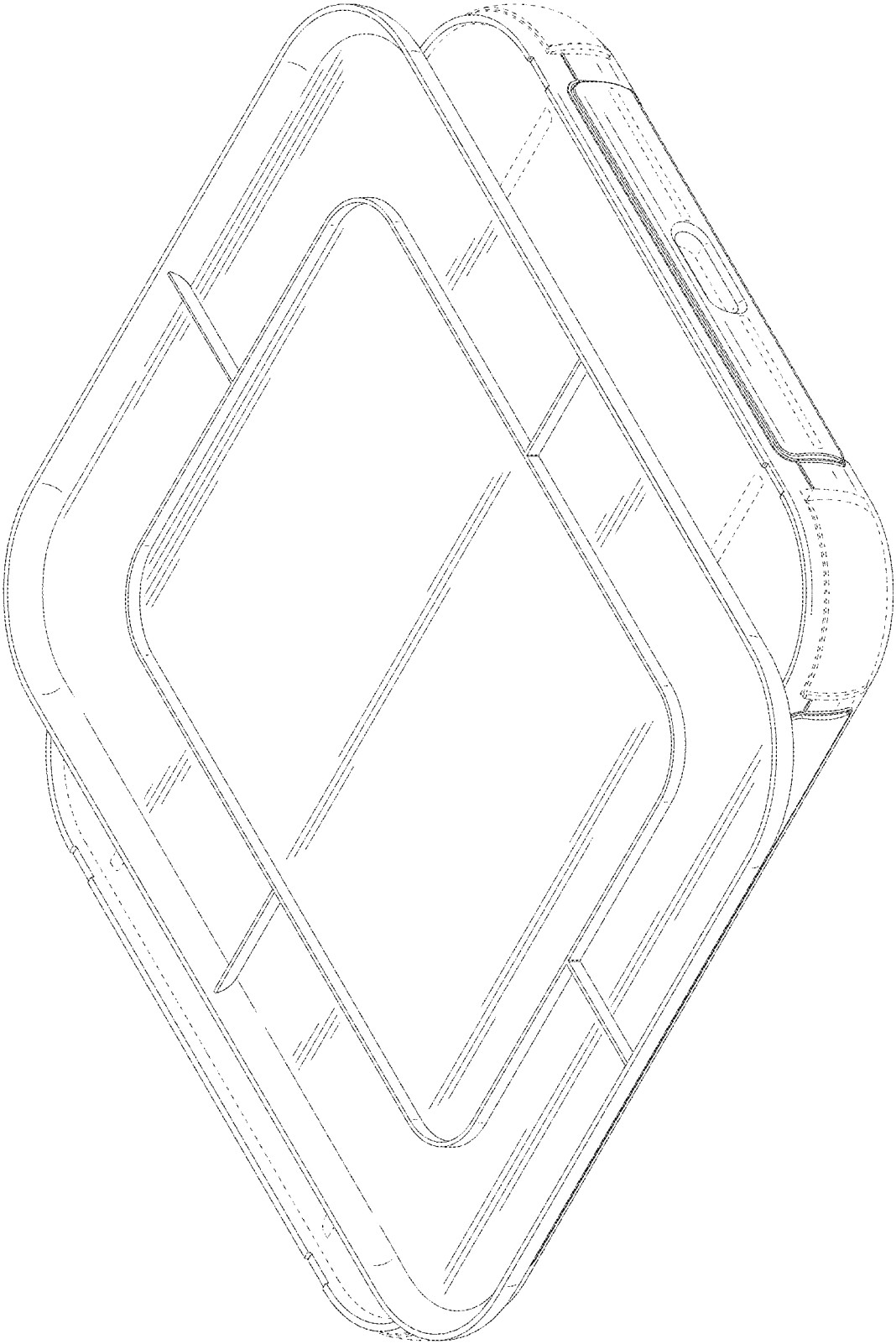


FIG. 10

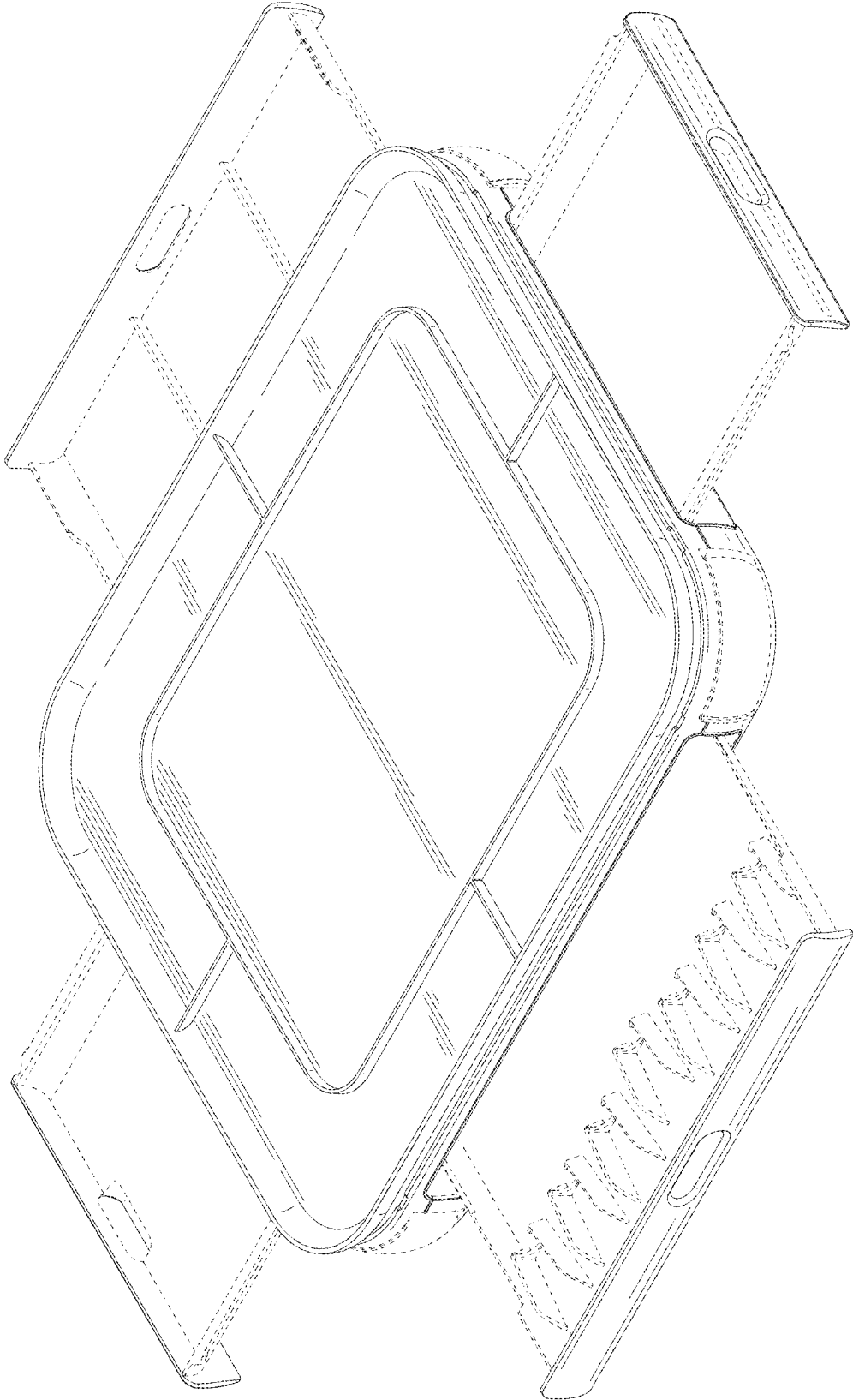


FIG. 11