

[54] SOLAR WATER HEATING UNIT

[56] References Cited

[75] Inventor: Harry J. Riley, Perth, Australia

U.S. PATENT DOCUMENTS

|            |         |                 |         |
|------------|---------|-----------------|---------|
| D. 244,607 | 6/1977  | Riley .....     | D23/127 |
| D. 244,608 | 6/1977  | Riley .....     | D23/127 |
| 1,889,238  | 11/1932 | Clark .....     | 126/271 |
| 4,084,578  | 4/1978  | Ishibashi ..... | 126/271 |

[73] Assignee: S. W. Hart & Co., Pty. Ltd., Australia

[\*\*] Term: 14 Years

Primary Examiner—Wallace R. Burke  
Assistant Examiner—Catherine Kemper  
Attorney, Agent, or Firm—William Anthony Drucker

[21] Appl. No.: 841,636

[57] CLAIM

[22] Filed: Oct. 12, 1977

The ornamental design for a solar water heating unit, as shown and described.

[51] Int. Cl. .... D23—03

[52] U.S. Cl. .... D23/127

[58] Field of Search ..... D23/72, 127; 126/270, 126/271

DESCRIPTION

FIG. 1 is a top front right perspective;  
FIG. 2 is a right side;  
FIG. 3 is a back top left perspective;  
FIG. 4 is a bottom perspective view thereof.

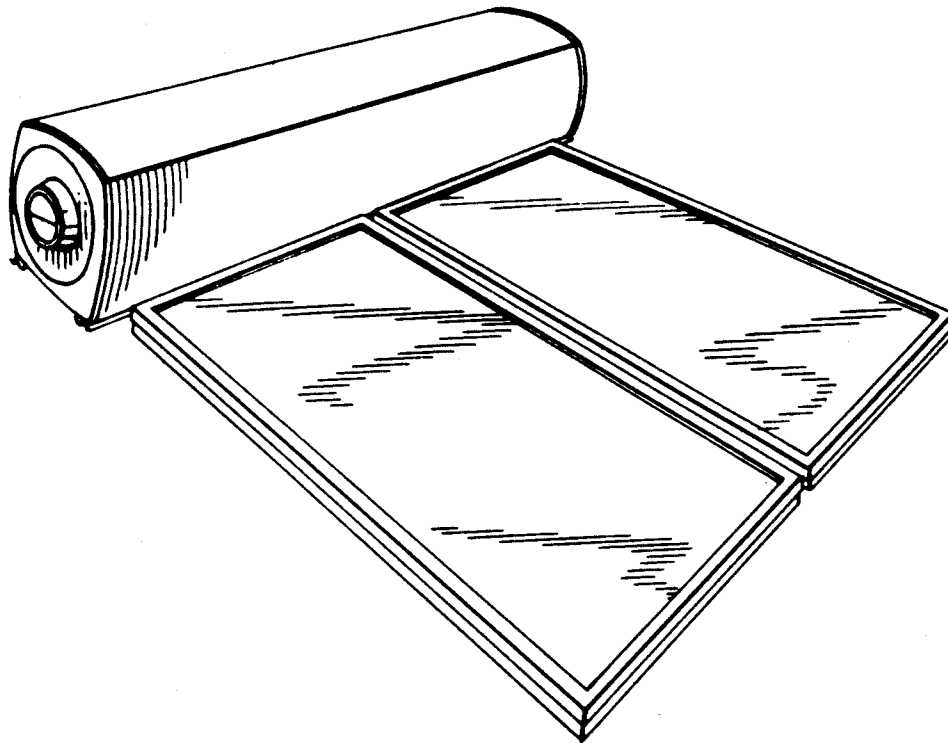


FIG. 1

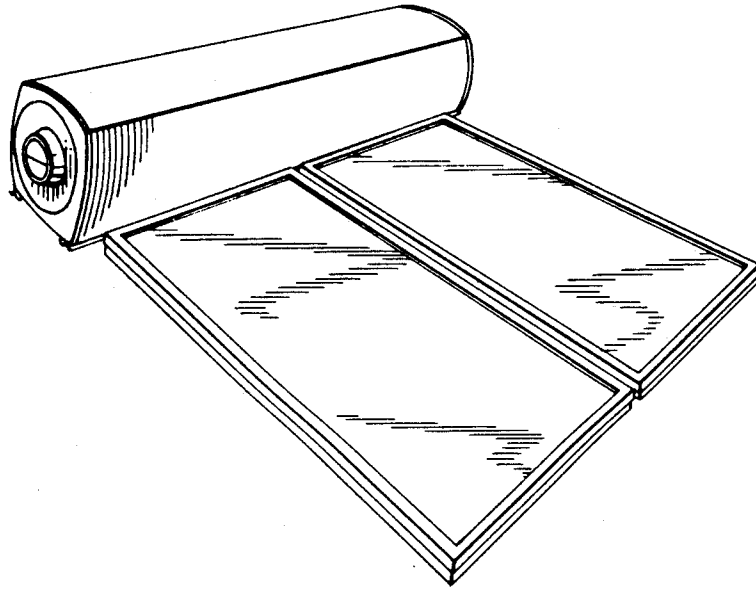


FIG. 2

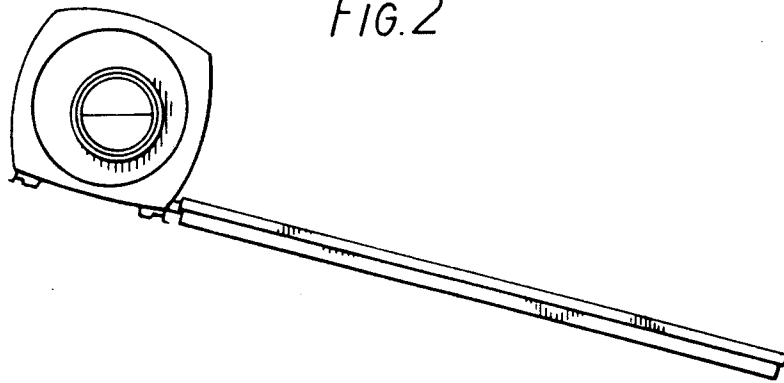


FIG. 3

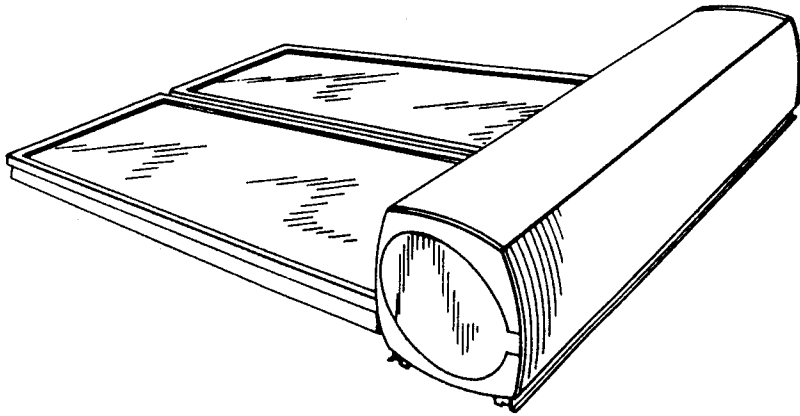


FIG. 4

