



US00D766844S

(12) **United States Design Patent**  
**Turksu et al.**

(10) **Patent No.:** **US D766,844 S**

(45) **Date of Patent:** **\*\* Sep. 20, 2016**

- (54) **WIRELESS CONTROL BUTTON**
- (71) Applicant: **SARIANA, LLC**, San Diego, CA (US)
- (72) Inventors: **Alan Turksu**, San Diego, CA (US);  
**Mustafa Burak Guclu**, San Diego, CA (US)
- (73) Assignee: **SARIANA, LLC**, San Diego, CA (US)
- (\*\*) Term: **14 Years**
- (21) Appl. No.: **29/516,177**
- (22) Filed: **Jan. 29, 2015**
- (51) **LOC (10) Cl.** ..... **14-03**
- (52) **U.S. Cl.**  
USPC ..... **D13/168**; D10/104.1; D14/240
- (58) **Field of Classification Search**  
USPC ..... D13/168; D10/104.1, 106.1; D14/137,  
D14/139, 140, 155, 230, 231, 238.1, 240,  
D14/242, 243, 218, 314; 455/41.2  
CPC ..... H03J 1/0025; H03J 9/00; H03J 9/02;  
H03J 9/04; H03J 9/06; H01H 9/0235; H04B  
1/202; G05B 11/01; G08C 17/00; G08C  
17/02; G08C 23/04; G06F 1/1626; H01Q  
1/007; H04W 52/0206; H04W 88/08; H04W  
88/085; H04W 88/10; H04W 88/12; H04W  
88/16; H04L 67/306; H04M 1/6091  
See application file for complete search history.

(56) **References Cited**

**U.S. PATENT DOCUMENTS**

- D371,793 S \* 7/1996 Patton ..... D14/218
- D407,985 S \* 4/1999 Pimentel ..... D10/104.2

(Continued)

*Primary Examiner* — Selina Sikder

(74) *Attorney, Agent, or Firm* — Wagenknecht IP Law Group PC

(57) **CLAIM**

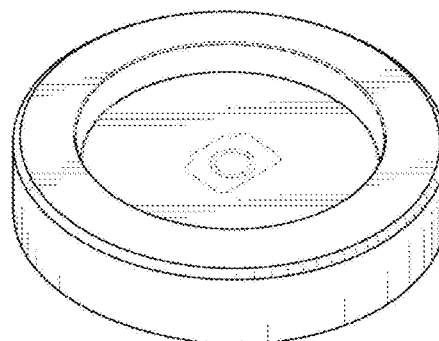
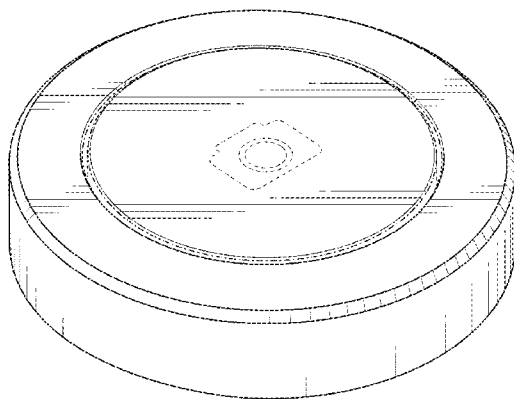
What is claimed is an ornamental design for a wireless control button, as shown and described.

**DESCRIPTION**

FIG. 1 is at top, left, front perspective view of the wireless control button showing our new design;

FIG. 2 is a top plan view thereof;  
 FIG. 3 is a bottom plan view thereof;  
 FIG. 4 is a left side elevational view thereof;  
 FIG. 5 is a right side elevational view thereof;  
 FIG. 6 is a rear elevational view thereof;  
 FIG. 7 is a front elevational view thereof;  
 FIG. 8 is a top, left front view of the wireless control button shown in an optional orientation pressed halfway between the top and bottom;  
 FIG. 9 is a top, left, front perspective view of a second embodiment of the wireless control button lined for the color silver;  
 FIG. 10 is a top plan view of the second embodiment;  
 FIG. 11 is a bottom plan view of the second embodiment;  
 FIG. 12 is a left side elevational view of the second embodiment;  
 FIG. 13 is a right side elevational view of the second embodiment;  
 FIG. 14 is a rear elevational view of the second embodiment;  
 FIG. 15 is a front elevational view of the second embodiment;  
 FIG. 16 is a top, left front view of the second embodiment shown in an optional orientation pressed halfway between the top and bottom;  
 FIG. 17 is a top, left, front perspective view of a third embodiment of the wireless control button lined for the color silver as in the second embodiment and for the color black;  
 FIG. 18 is a top plan view of the third embodiment;  
 FIG. 19 is a bottom plan view of the third embodiment;  
 FIG. 20 is a top, left, front perspective view of a fourth embodiment of the wireless control button lined for the color silver as in the second embodiment and for the color white;  
 FIG. 21 is a top plan view of the fourth embodiment; and  
 FIG. 22 is a bottom plan view of the fourth embodiment.  
 The dot-dot broken lines are shown for illustrative purpose only and forms no part of the claimed design. The dash-dot broken lines define the bounds of the claimed design and form no part thereof. Broken lines are included for illustrative purposes only and form no part of the claimed design.

**1 Claim, 9 Drawing Sheets**



(56)

References Cited

U.S. PATENT DOCUMENTS

D435,835 S \* 1/2001 Steck ..... D13/168  
 D511,985 S \* 11/2005 Kelly, Jr. .... D10/106.1  
 D512,417 S \* 12/2005 Hirakawa ..... D14/223  
 D515,040 S \* 2/2006 Jones ..... D13/168  
 D518,030 S \* 3/2006 Lin ..... D14/218  
 D526,973 S \* 8/2006 Gates ..... D13/168  
 D530,525 S \* 10/2006 Greene, II ..... D6/309  
 D601,564 S \* 10/2009 Maeno ..... D14/400  
 D602,911 S \* 10/2009 Wang ..... D14/216  
 D627,306 S \* 11/2010 Charleux ..... D13/168  
 D658,640 S \* 5/2012 Ivaskevicius ..... D14/242  
 D671,096 S \* 11/2012 Song ..... D14/223  
 D671,528 S \* 11/2012 Fathollahi ..... D14/211  
 D683,251 S \* 5/2013 Dumas ..... D10/104.2  
 D687,009 S \* 7/2013 Song ..... D14/155  
 D700,904 S \* 3/2014 Miller ..... D13/168  
 D702,146 S \* 4/2014 Giovanni ..... D10/106.9

D704,177 S \* 5/2014 Chun ..... D14/240  
 D705,748 S \* 5/2014 He ..... D14/155  
 D706,249 S \* 6/2014 Holzer ..... D14/240  
 D724,060 S \* 3/2015 Ahn ..... D14/218  
 D725,088 S \* 3/2015 Kwak ..... D14/240  
 D726,161 S \* 4/2015 Howard ..... D14/218  
 D729,773 S \* 5/2015 Salojarvi ..... D14/218  
 D743,382 S \* 11/2015 Katori ..... D14/228  
 D743,954 S \* 11/2015 Chuang ..... D13/168  
 D746,165 S \* 12/2015 Li ..... D10/104.1  
 D746,166 S \* 12/2015 Li ..... D10/104.1  
 D747,229 S \* 1/2016 Perez ..... D10/104.1  
 D747,984 S \* 1/2016 Zhao ..... D10/52  
 2005/0245254 A1 \* 11/2005 Hall ..... H04W 88/08  
 455/426.1  
 2012/0255505 A1 \* 10/2012 Gauthier ..... A01K 15/023  
 119/721  
 2013/0292481 A1 \* 11/2013 Filson ..... G05D 23/1902  
 236/1 C

\* cited by examiner

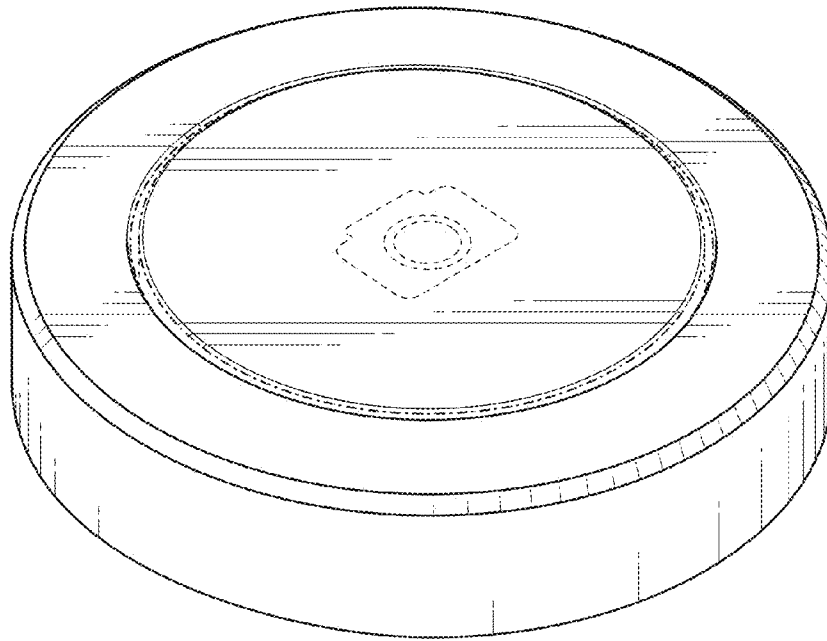


FIG. 1

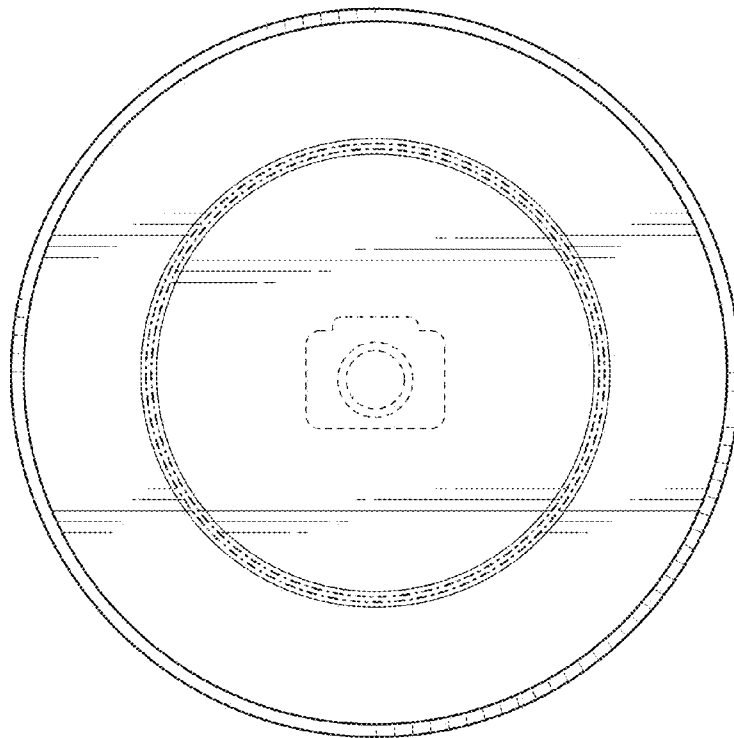


FIG. 2

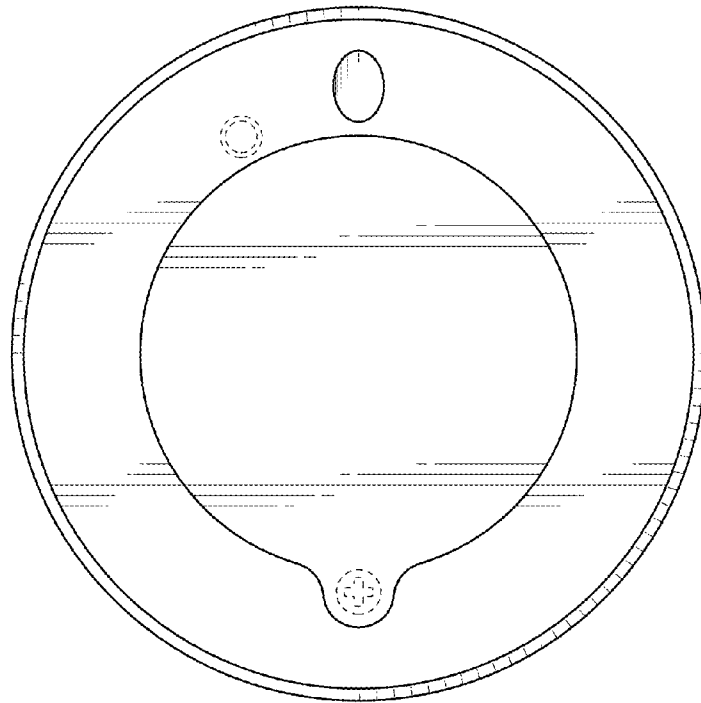


FIG. 3

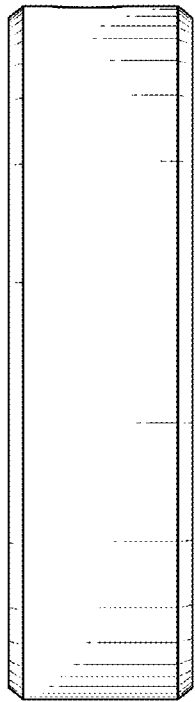


FIG. 4

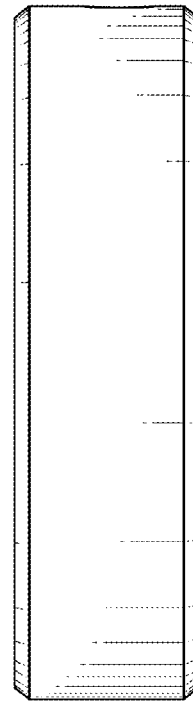


FIG. 5

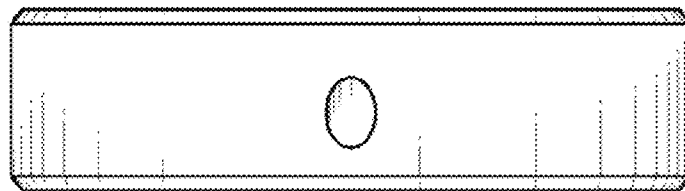


FIG. 6

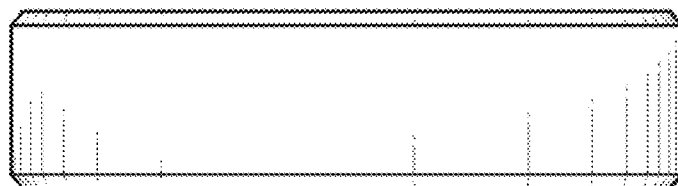


FIG. 7

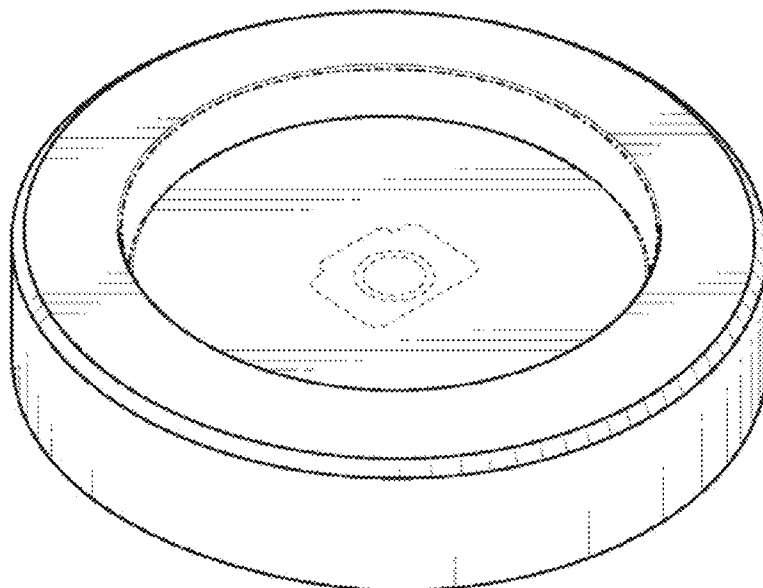


FIG. 8

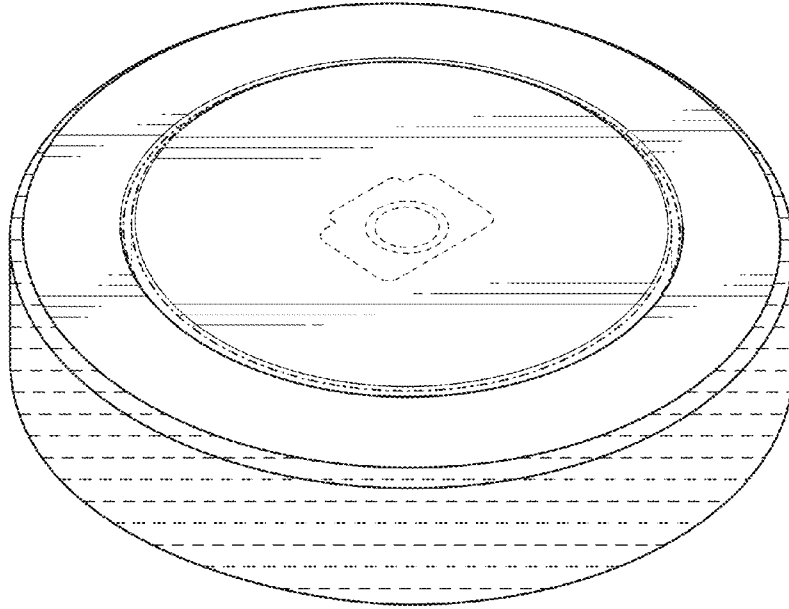


FIG. 9

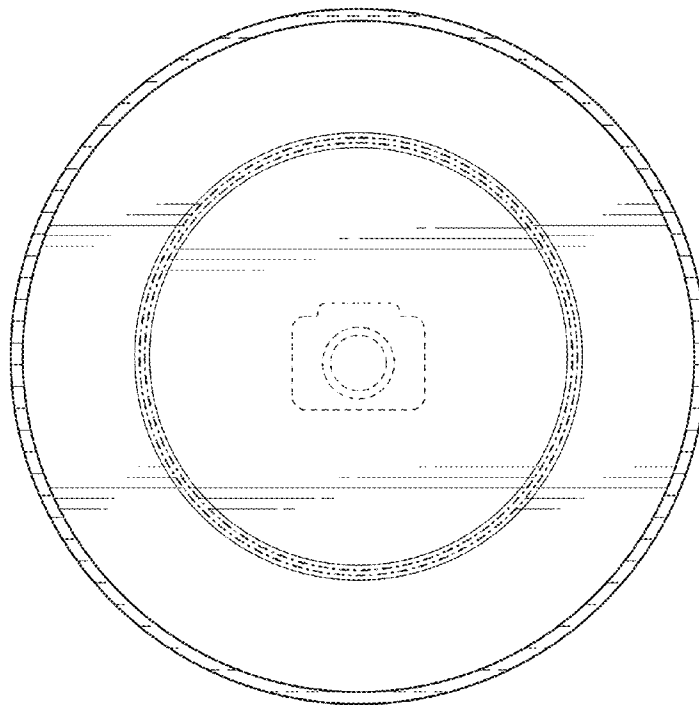


FIG. 10

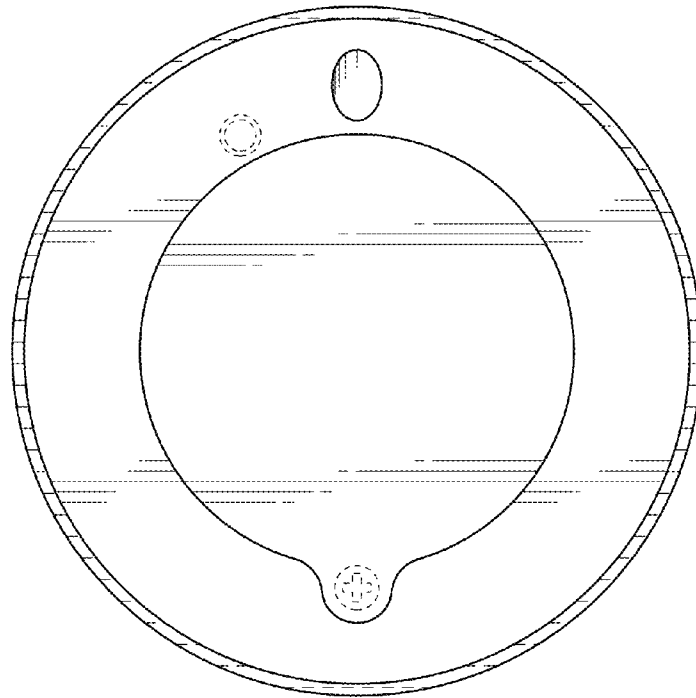


FIG. 11

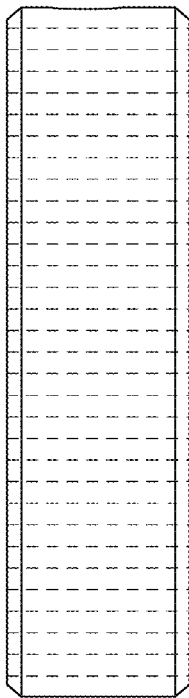


FIG. 12

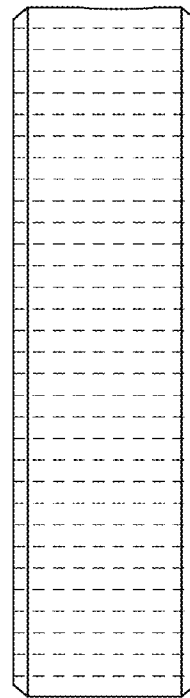


FIG. 13

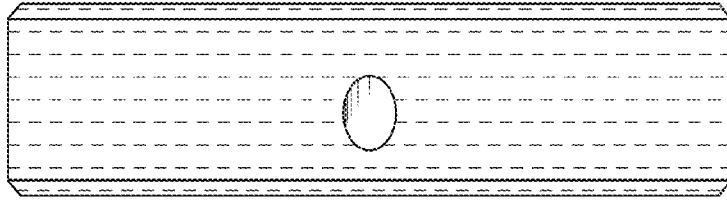


FIG. 14

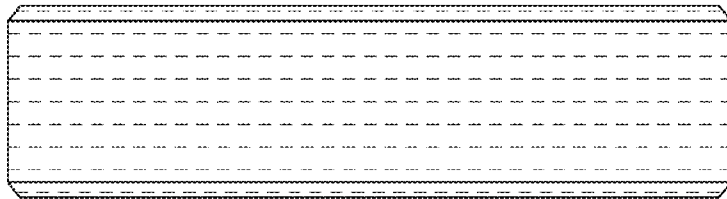


FIG. 15

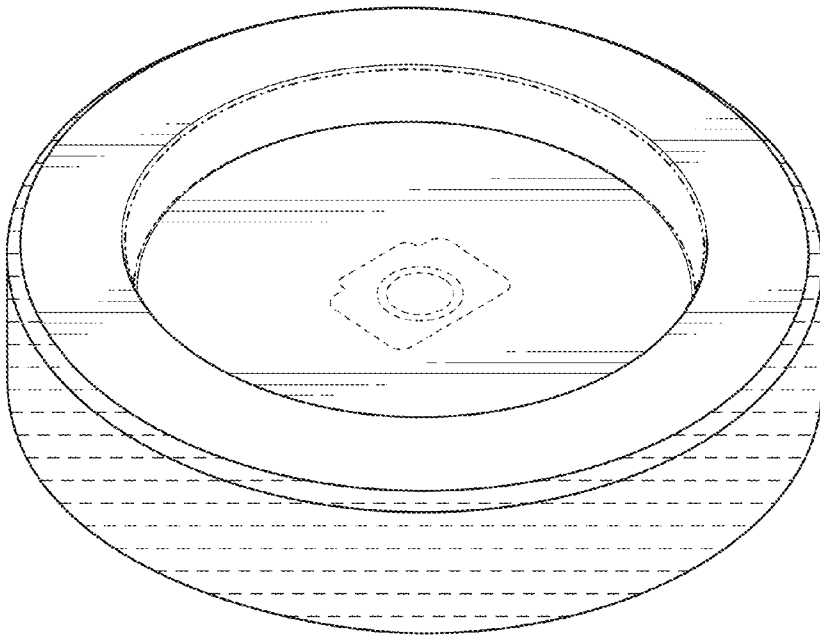


FIG. 16



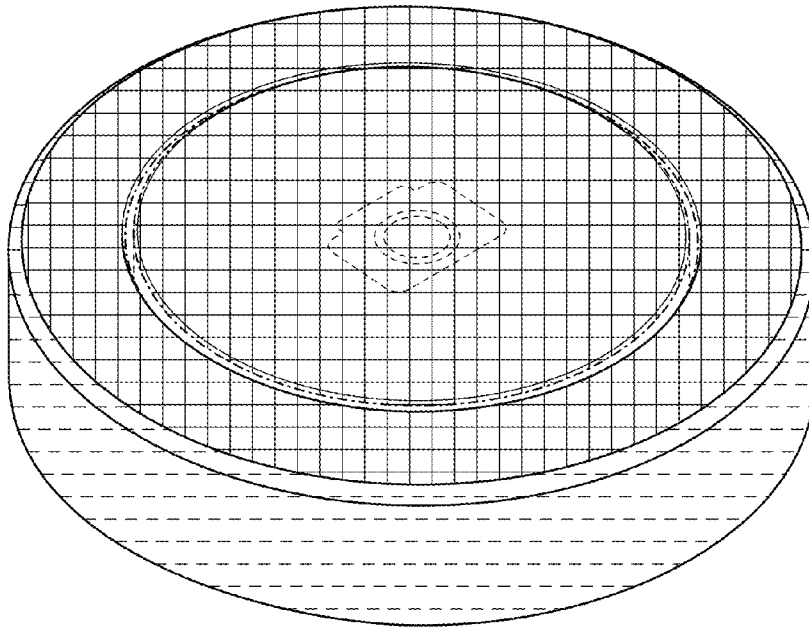


FIG. 17

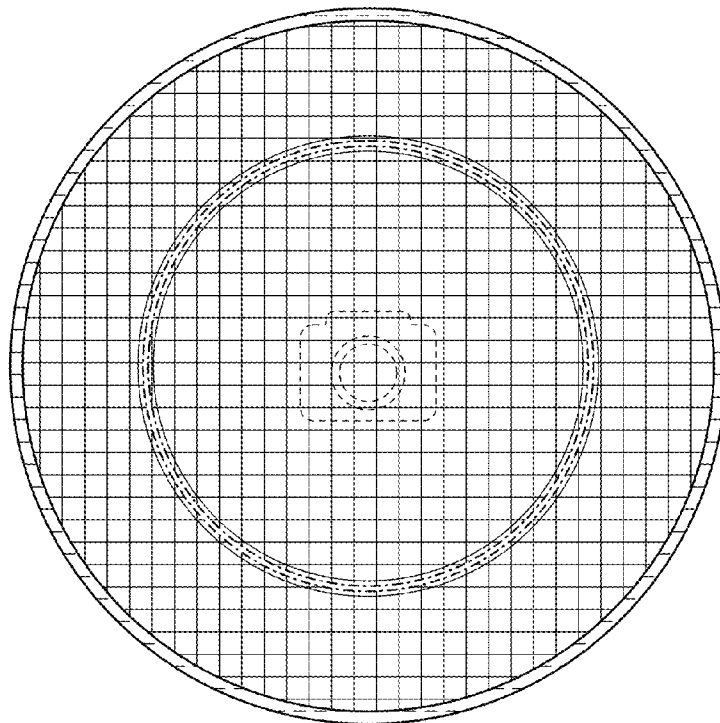


FIG. 18

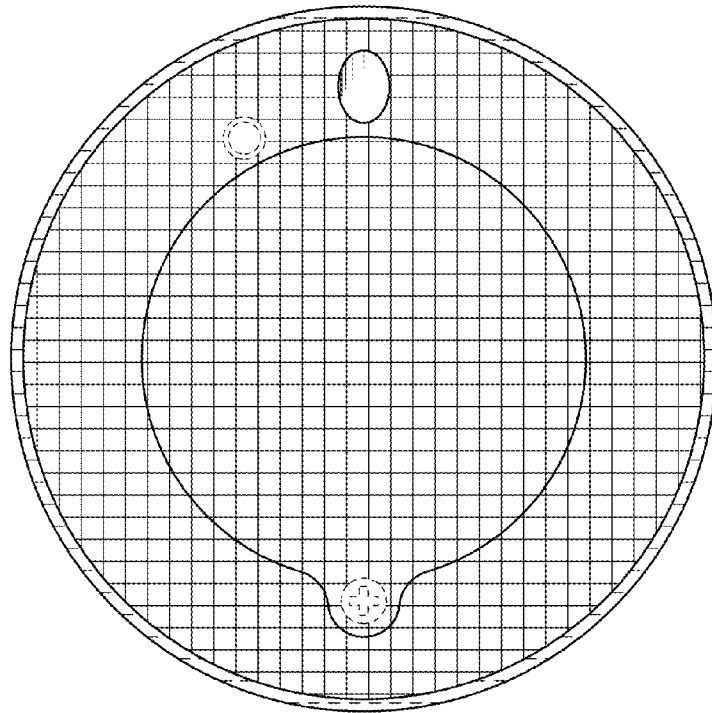


FIG. 19

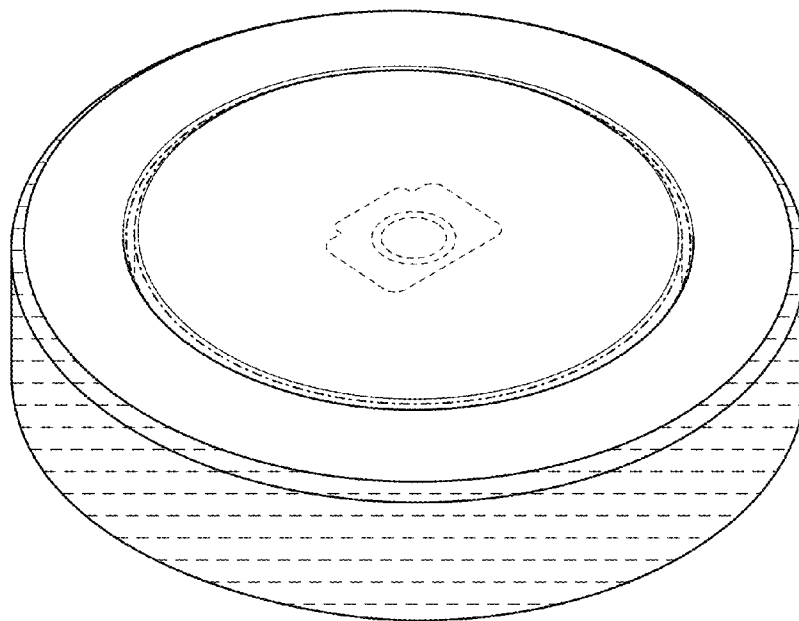


FIG. 20

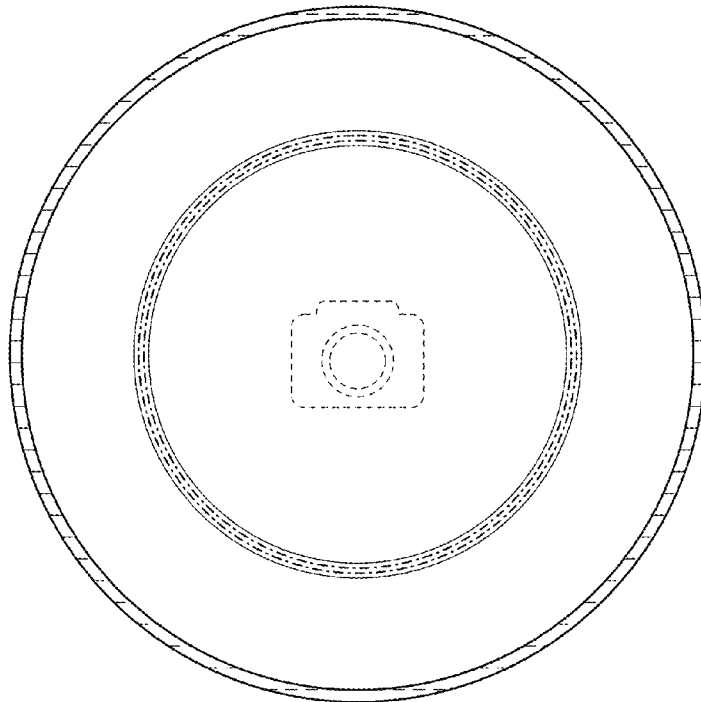


FIG. 21

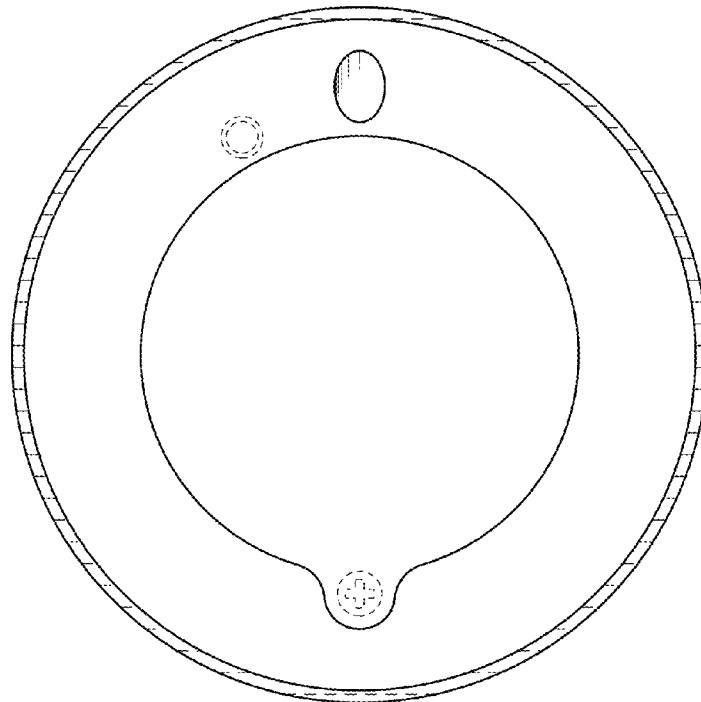


FIG. 22