



US00D858776S

(12) **United States Design Patent**  
**Pieroni**

(10) **Patent No.:** **US D858,776 S**

(45) **Date of Patent:** **\*\* Sep. 3, 2019**

(54) **POLISHING DEVICE**

(71) Applicant: **DENTSPLY SIRONA Inc.**, York, PA (US)

(72) Inventor: **Robert J. Pieroni**, Georgetown, DE (US)

(73) Assignee: **DENTSPLY SIRONA INC.**, York, PA (US)

(\*\*) Term: **15 Years**

(21) Appl. No.: **29/609,259**

(22) Filed: **Jun. 29, 2017**

(51) **LOC (12) Cl.** ..... **24-02**

(52) **U.S. Cl.**  
USPC ..... **D24/176**

(58) **Field of Classification Search**  
USPC ..... D24/176-180  
CPC ..... A61C 3/06; A61C 17/005; A61C 17/00;  
A61C 15/047; A61C 17/22  
See application file for complete search history.

5,380,202 A \* 1/1995 Brahler ..... A61C 17/005  
433/166

5,405,265 A \* 4/1995 Mendoza ..... A61C 3/06  
433/166

5,482,461 A \* 1/1996 Yale ..... A61C 3/06  
433/125

D368,523 S \* 4/1996 Mendoza ..... D24/176

5,797,744 A \* 8/1998 Rosenberg ..... A61C 17/005  
433/166

D413,384 S \* 8/1999 Hanley ..... D24/176

7,024,717 B2 \* 4/2006 Hilscher ..... A46B 5/0095  
15/22.1

7,101,182 B2 \* 9/2006 Garrison ..... A61C 17/005  
433/125

7,678,314 B1 \* 3/2010 Eckert ..... A61C 3/06  
264/161

7,806,689 B2 \* 10/2010 Lee ..... A46B 11/0041  
433/82

8,387,196 B2 \* 3/2013 Jimenez ..... A46B 9/006  
15/110

8,784,102 B1 \* 7/2014 Kumar ..... A61C 1/141  
433/166

D743,037 S \* 11/2015 Gonzalez ..... D24/176  
(Continued)

Primary Examiner — Michelle E. Wilson  
(74) Attorney, Agent, or Firm — Dentsply Sirona Inc.

(56) **References Cited**

**U.S. PATENT DOCUMENTS**

3,599,333 A \* 8/1971 Muhler ..... A61C 17/005  
433/166

4,055,897 A \* 11/1977 Brix ..... A61C 3/06  
433/166

4,259,071 A \* 3/1981 Warden ..... A61C 17/005  
433/166

4,486,175 A \* 12/1984 Fisher ..... A61C 17/005  
433/104

4,929,180 A \* 5/1990 Moreschini ..... A61C 17/005  
433/166

5,083,922 A \* 1/1992 Yale ..... A61C 17/005  
433/166

5,178,538 A \* 1/1993 Eckert ..... A61C 17/005  
433/125

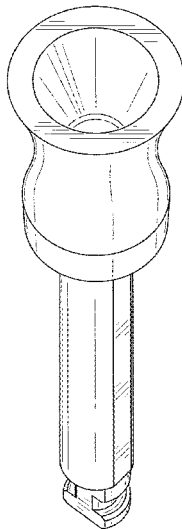
(57) **CLAIM**

The ornamental design for a polishing device, as shown and described.

**DESCRIPTION**

FIG. 1 is an isometric view of a polishing device showing our new design;  
FIG. 2 is a front perspective view thereof;  
FIG. 3 is a rear perspective view thereof;  
FIG. 4 is a first side perspective view thereof;  
FIG. 5 is a second side perspective view thereof;  
FIG. 6 is a top perspective view thereof; and,  
FIG. 7 is a bottom perspective view thereof.

**1 Claim, 4 Drawing Sheets**



(56)

**References Cited**

U.S. PATENT DOCUMENTS

D755,985 S *	5/2016	Porat .....	D24/215
2004/0131994 A1 *	7/2004	Bachmann .....	A61C 15/02
			433/141
2009/0081609 A1 *	3/2009	Kalbfeld .....	A61C 17/005
			433/125
2012/0107769 A1 *	5/2012	Chronister .....	A61C 17/005
			433/142
2013/0149666 A1 *	6/2013	Chalifoux .....	A61C 3/06
			433/166
2014/0017630 A1 *	1/2014	Chalifoux .....	A61C 3/06
			433/166

\* cited by examiner

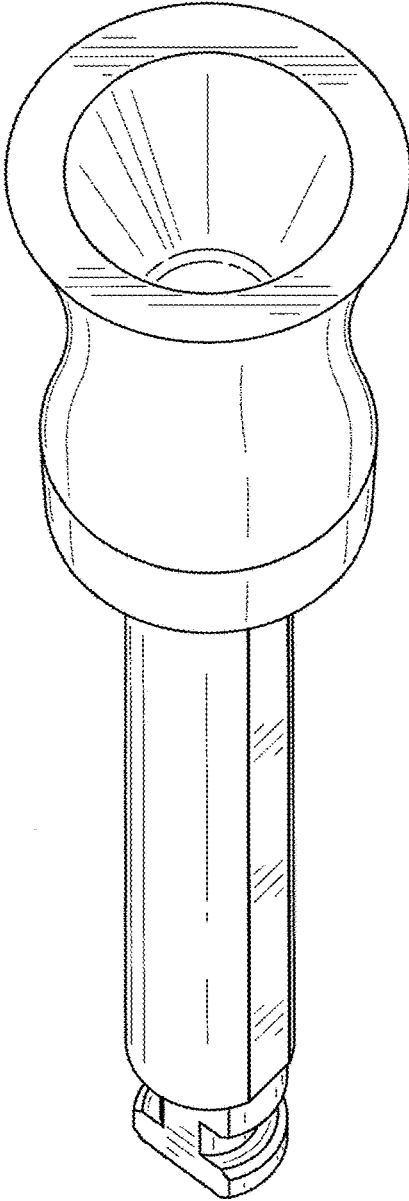


FIG. 1

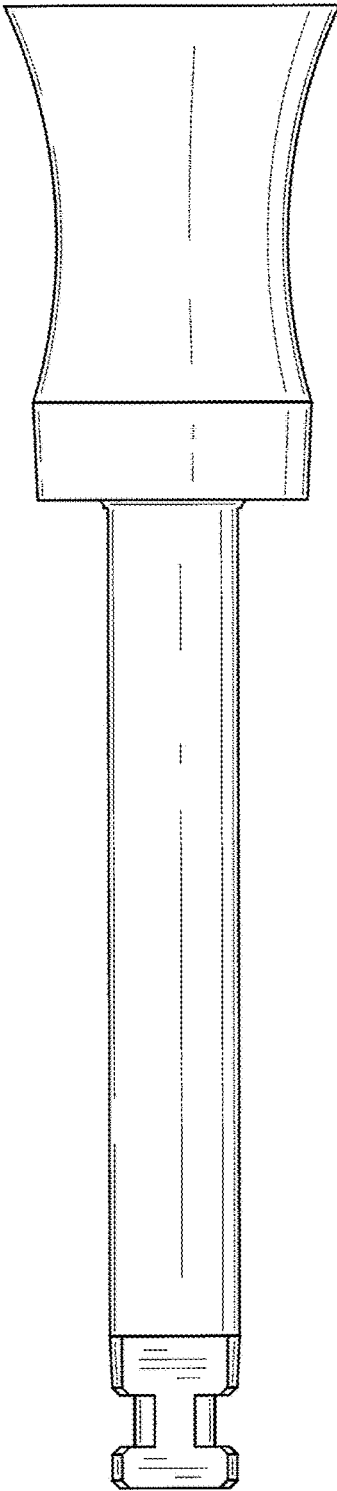


FIG. 2

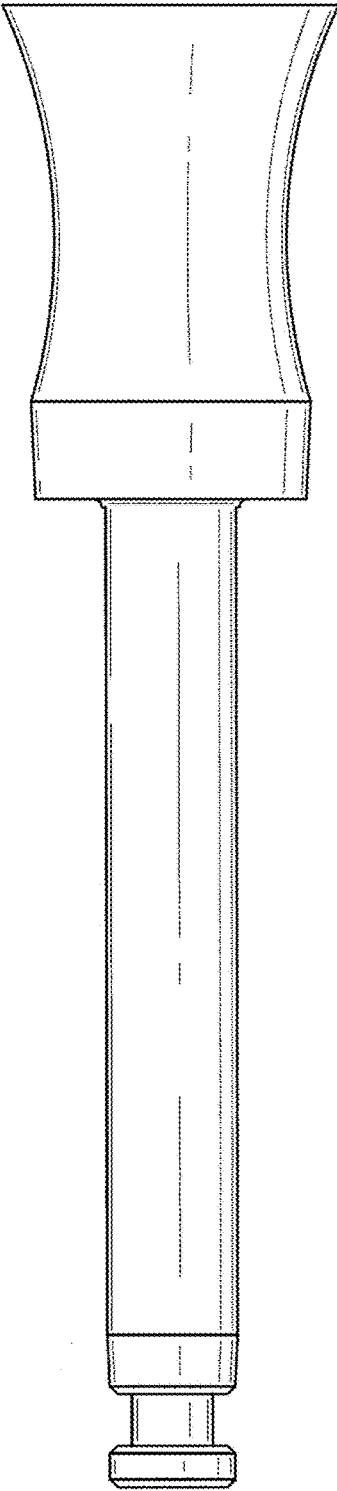


FIG. 3

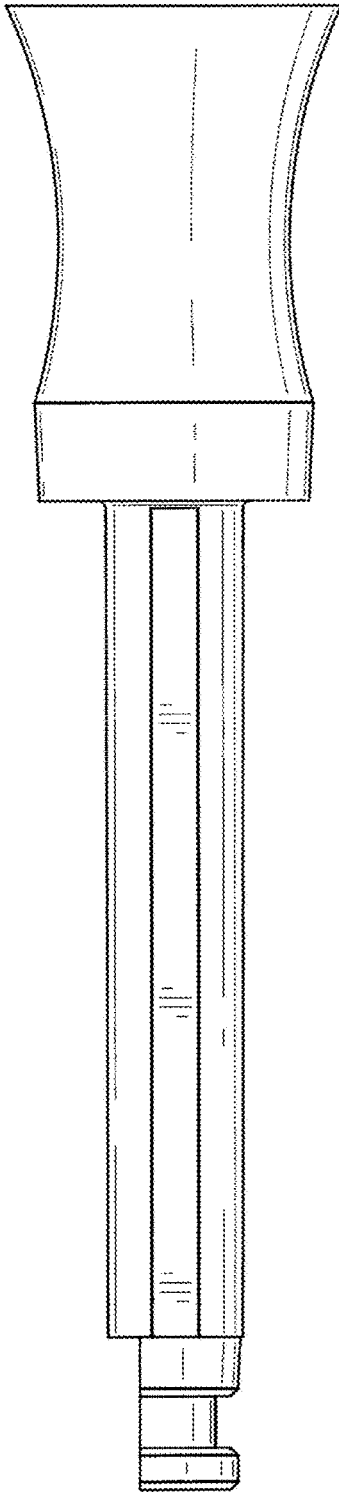


FIG. 4

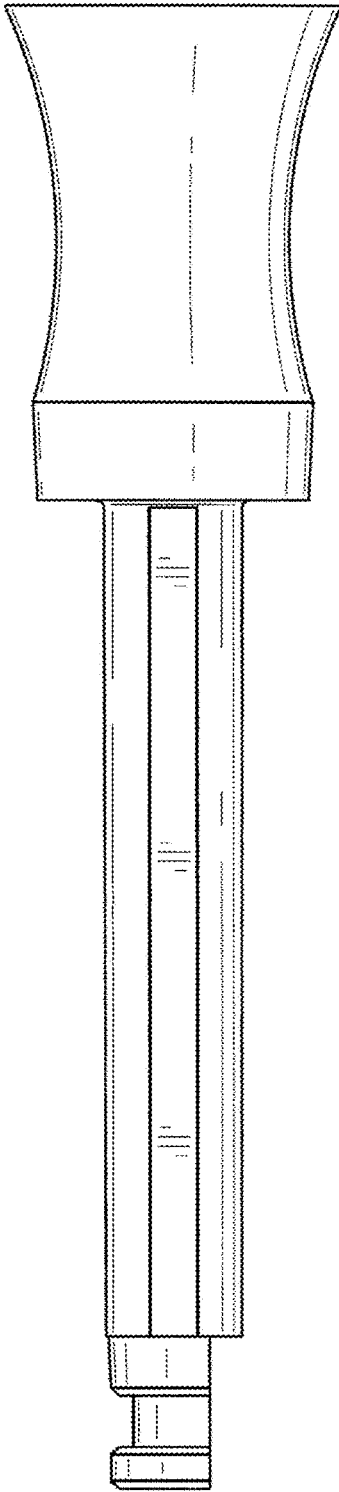


FIG. 5

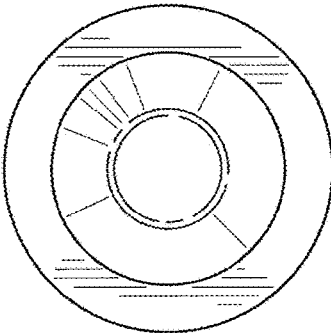


FIG. 6

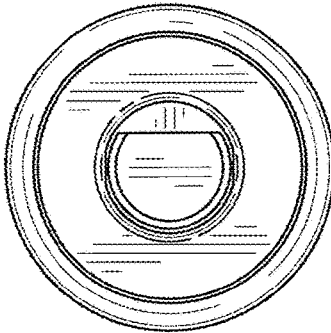


FIG. 7