



US00D853986S

(12) **United States Design Patent**
Treski et al.

(10) **Patent No.:** **US D853,986 S**

(45) **Date of Patent:** **** Jul. 16, 2019**

(54) **HEADPHONES**

(71) Applicant: **Apple Inc.**, Cupertino, CA (US)

(72) Inventors: **Eric Treski**, Manhattan Beach, CA (US); **Christina J. Smiechowski**, Hollywood, CA (US); **Robert D. Brunner**, San Francisco, CA (US); **Christopher Kuh**, San Francisco, CA (US); **Achille Biteau**, San Francisco, CA (US)

3,073,410 A 1/1963 Gongoll et al.
3,104,398 A 9/1963 Palmaer
D244,300 S 5/1977 Besasie
4,173,715 A 11/1979 Gosman
D254,183 S 2/1980 Doodson
D254,876 S 5/1980 Reitenga et al.

(Continued)

FOREIGN PATENT DOCUMENTS

EM 002377150-0001 12/2013
JP 1318386 12/2007

(Continued)

(73) Assignee: **Apple Inc.**, Cupertino, CA (US)

(**) Term: **15 Years**

(21) Appl. No.: **29/615,486**

(22) Filed: **Aug. 29, 2017**

Related U.S. Application Data

(63) Continuation of application No. 29/557,250, filed on Mar. 7, 2016, now Pat. No. Des. 796,474.

(51) **LOC (11) Cl.** **14-01**

(52) **U.S. Cl.**
USPC **D14/205**

(58) **Field of Classification Search**

USPC D14/205, 223; D29/112; 2/209, 175.4, 2/195.4; 181/129, 130, 135; 379/430, 379/431; 381/380, 381, 374; 455/90.3, 455/575.1, 569.1

CPC H04R 1/1066; H04R 1/1016; H04R 5/033; H04R 5/0335; A42B 1/06

See application file for complete search history.

(56) **References Cited**

U.S. PATENT DOCUMENTS

139,831 A * 6/1873 Stone 2/209
188,292 A * 3/1877 Greenwood 2/209
359,612 A * 3/1877 Kleinert 2/209
1,066,511 A 7/1913 Markoff

OTHER PUBLICATIONS

Office Action dated Dec. 10, 2010 for Russian Patent Application No. 2010501890.

(Continued)

Primary Examiner — Paula Allen Greene

(74) *Attorney, Agent, or Firm* — Sterne, Kessler, Goldstein & Fox P.L.L.C.

(57) **CLAIM**

The ornamental design for headphones, as shown and described.

DESCRIPTION

FIG. 1 is a top front perspective view of headphones showing the claimed design;
FIG. 2 is a bottom front perspective view of thereof;
FIG. 3 is a front view thereof;
FIG. 4 is a rear view thereof;
FIG. 5 is a left side view thereof;
FIG. 6 is a right side view thereof;
FIG. 7 is a top view thereof; and,
FIG. 8 is a bottom view thereof.

The broken lines in the figures show portions of the headphones that form no part of the claimed design.

1 Claim, 7 Drawing Sheets



(56)

References Cited

U.S. PATENT DOCUMENTS

4,634,816 A 1/1987 O'Malley et al.
 D313,092 S 12/1990 Nilsson
 5,018,599 A 5/1991 Dohi et al.
 5,035,005 A 7/1991 Hung
 D328,074 S 7/1992 Yamazaki et al.
 D328,461 S 8/1992 Daido et al.
 D338,010 S 8/1993 Yamatogi
 D351,172 S 10/1994 Nakamura et al.
 D358,389 S 5/1995 Isono
 D375,825 S 11/1996 Whidden
 D420,356 S 2/2000 Suzuki
 D422,592 S 4/2000 Deguchi
 6,081,604 A 6/2000 Hikichi et al.
 D430,140 S 8/2000 Roman
 D435,249 S 12/2000 Yasutomi
 D457,512 S 5/2002 Yoneda
 6,449,806 B1 9/2002 Engelhard et al.
 6,496,589 B1 12/2002 Pham et al.
 D468,723 S 1/2003 Pham et al.
 D484,485 S 12/2003 Matsuoka
 6,654,966 B2 12/2003 Rolla
 D484,868 S 1/2004 Suzuki
 6,678,897 B2 1/2004 Lindgren
 D491,163 S 6/2004 Green
 D502,938 S 3/2005 Tokioka et al.
 D504,414 S 4/2005 Yoshida
 D504,883 S 5/2005 Jacobson et al.
 D512,708 S 12/2005 Harris, Jr. et al.
 D512,981 S 12/2005 Jacobson et al.
 D517,043 S 3/2006 Jacobson et al.
 7,072,483 B2 7/2006 Lenhard-Backhaus
 D532,407 S 11/2006 Motoishi
 D534,155 S 12/2006 Obata
 D534,156 S 12/2006 Obata
 7,172,052 B2 2/2007 Lenhard-Backhaus
 D540,301 S 4/2007 Obata
 D541,257 S 4/2007 Thursfield
 D545,001 S 6/2007 Le Gette et al.
 D552,077 S 10/2007 Brunner et al.
 D557,684 S 12/2007 Pundsack et al.
 D563,382 S 3/2008 Wikel
 D563,995 S 3/2008 Deguchi et al.
 D582,890 S 12/2008 Koza et al.
 D584,715 S 1/2009 Brennwald
 D585,870 S 2/2009 Zheng et al.
 D585,871 S 2/2009 Lee
 D585,872 S 2/2009 Lee
 D588,098 S 3/2009 Kurihara
 D588,100 S 3/2009 Densho et al.
 D591,263 S 4/2009 Shimizu
 D592,182 S 5/2009 Sanguinetti

D592,640 S 5/2009 Tkachuk
 D593,995 S 6/2009 Shimizu
 D600,674 S 9/2009 Brennwald
 D603,370 S 11/2009 Suzuki
 D603,371 S 11/2009 Boateng et al.
 7,650,649 B2* 1/2010 Le Gette A61F 11/14
 2/209
 D616,865 S 6/2010 Marchand et al.
 D617,769 S 6/2010 Birger
 7,735,154 B2 6/2010 Gellis et al.
 D625,705 S 10/2010 Ohori et al.
 D632,668 S 2/2011 Brunner et al.
 D633,896 S 3/2011 Kondo et al.
 D635,959 S 4/2011 Hutchieson
 D637,176 S 5/2011 Brunner et al.
 D639,776 S 6/2011 Arimoto
 D641,725 S 6/2011 Chong et al.
 D652,405 S 1/2012 Lee et al.
 D657,344 S 4/2012 Brunner et al.
 D657,345 S 4/2012 Brunner et al.
 D660,824 S 5/2012 Hardi et al.
 D674,767 S 1/2013 Brunner et al.
 D689,463 S 9/2013 Hardi et al.
 D691,112 S 10/2013 Brunner et al.
 D698,749 S 2/2014 Brunner et al.
 8,660,287 B2* 2/2014 Stephenson H04R 1/1033
 381/370
 D702,210 S 4/2014 Birger
 D707,200 S 6/2014 Yang
 D713,817 S 9/2014 Paterson et al.
 D720,721 S * 1/2015 Lu D14/205
 D722,591 S 2/2015 Son et al.
 D725,630 S 3/2015 Nakagawa
 9,084,055 B2 7/2015 Brunner et al.
 D765,055 S 8/2016 Hsieh et al.
 D765,056 S 8/2016 Yang et al.
 D768,110 S 10/2016 Suzuki
 D796,474 S * 9/2017 Treski D14/205
 2003/0210801 A1 11/2003 Naksen et al.
 2005/0034218 A1* 2/2005 Le Gette A61F 11/06
 2/209
 2011/0206216 A1 8/2011 Brunner et al.

FOREIGN PATENT DOCUMENTS

JP D1452709 S 9/2012
 KR D30-0747000 S 6/2014

OTHER PUBLICATIONS

Global Sources Electronics, Headphones, Oct. 2014, p. 41 (JPO's Document HB26004292).

* cited by examiner

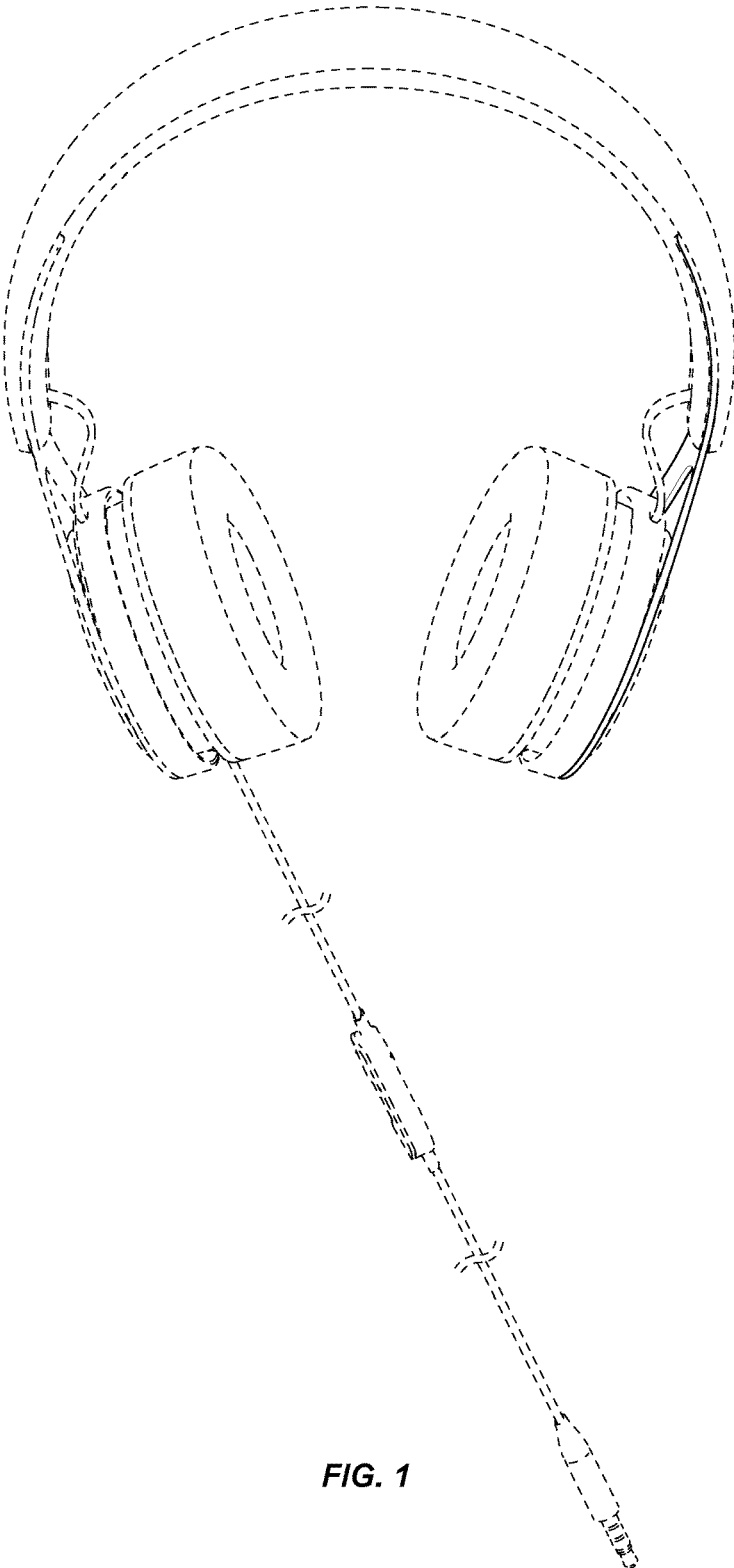


FIG. 1

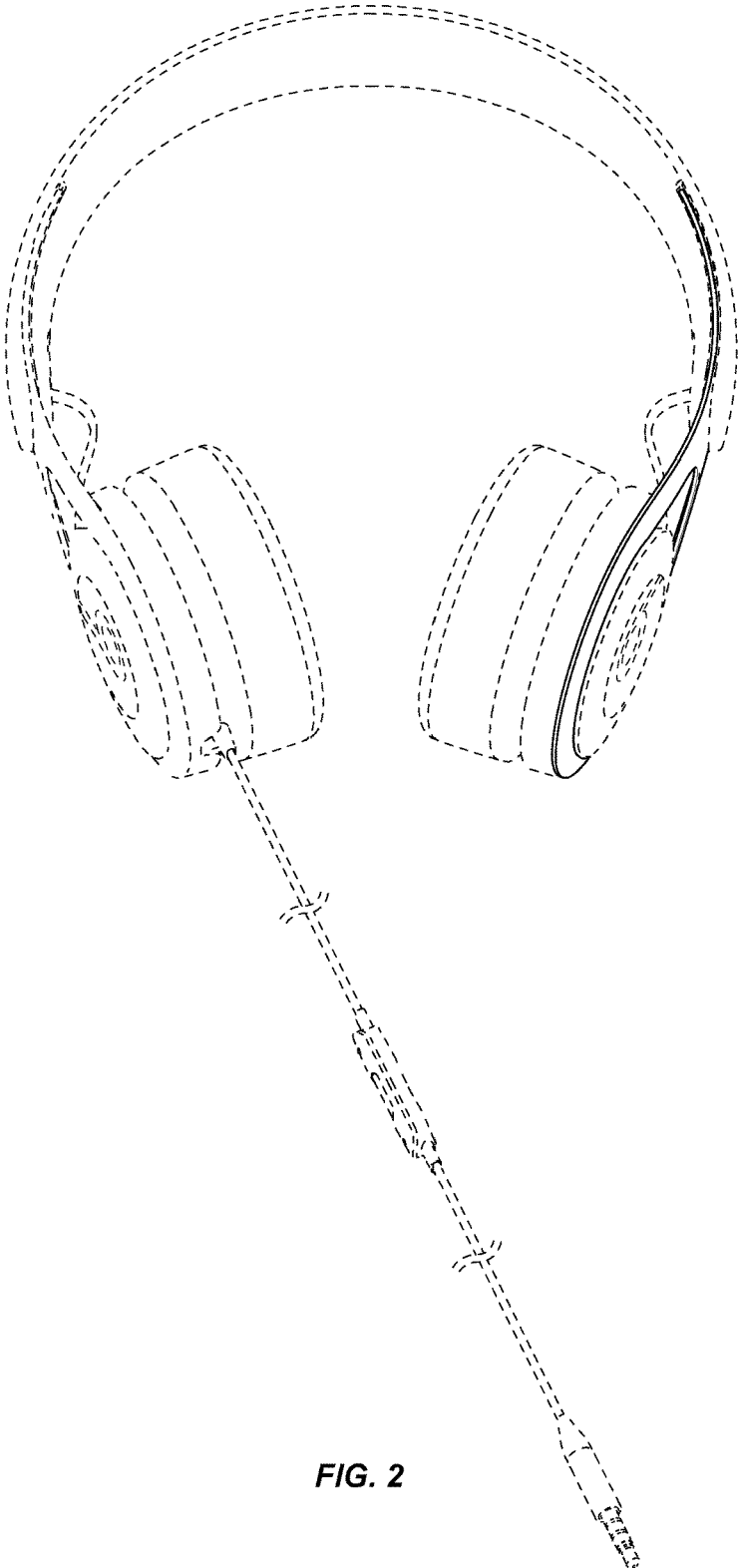


FIG. 2

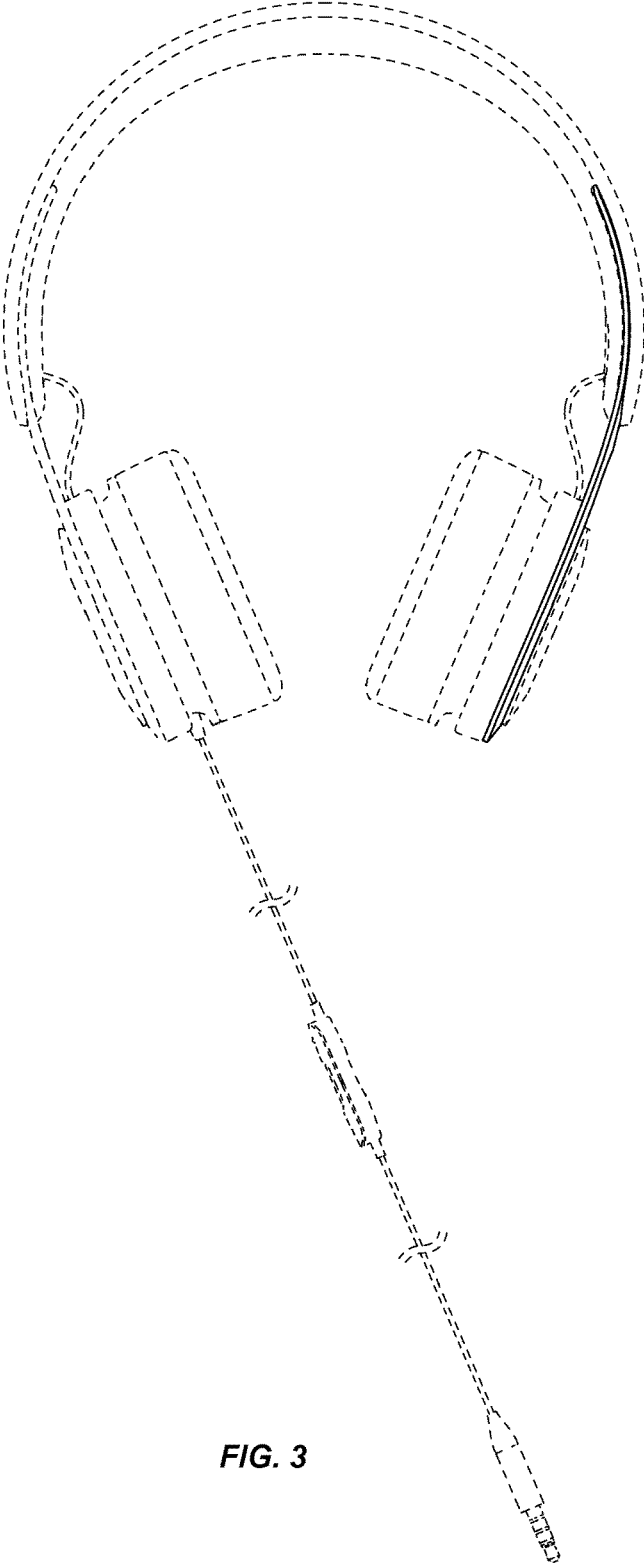


FIG. 3

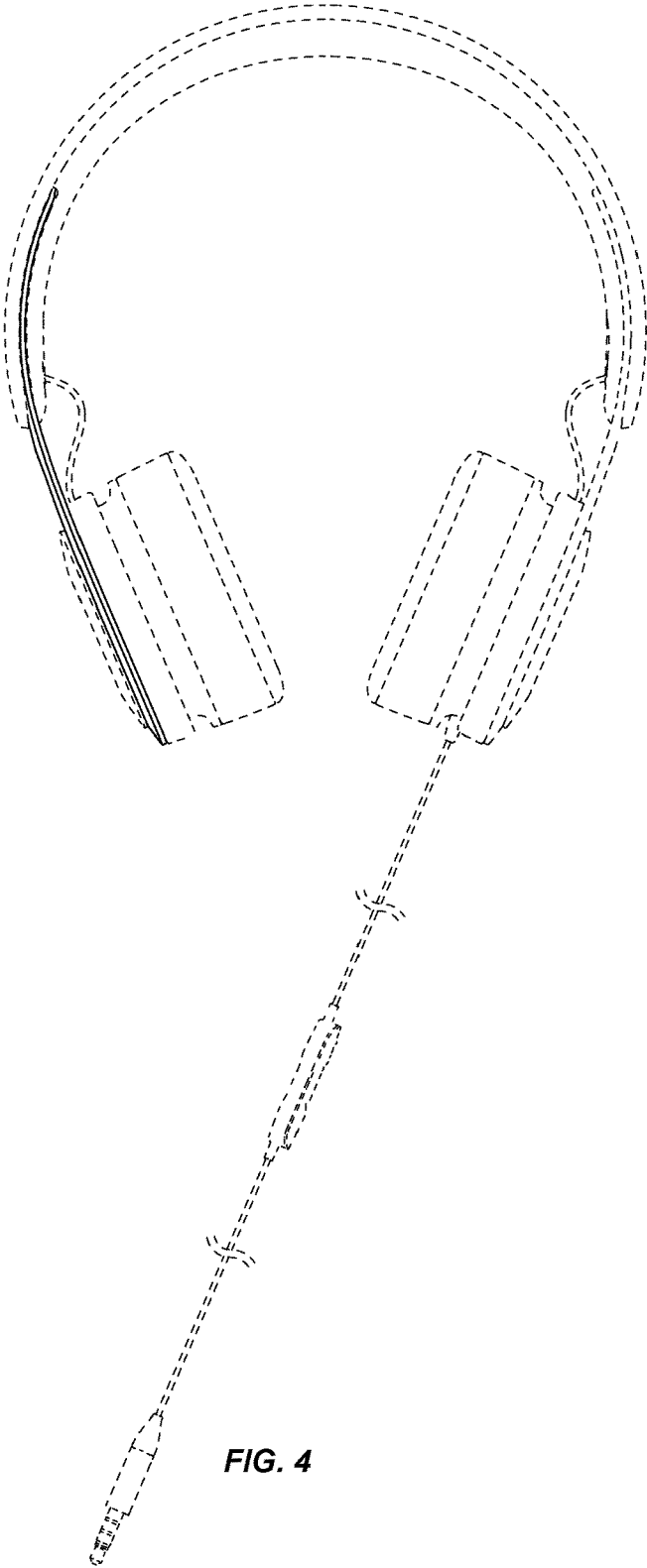


FIG. 4

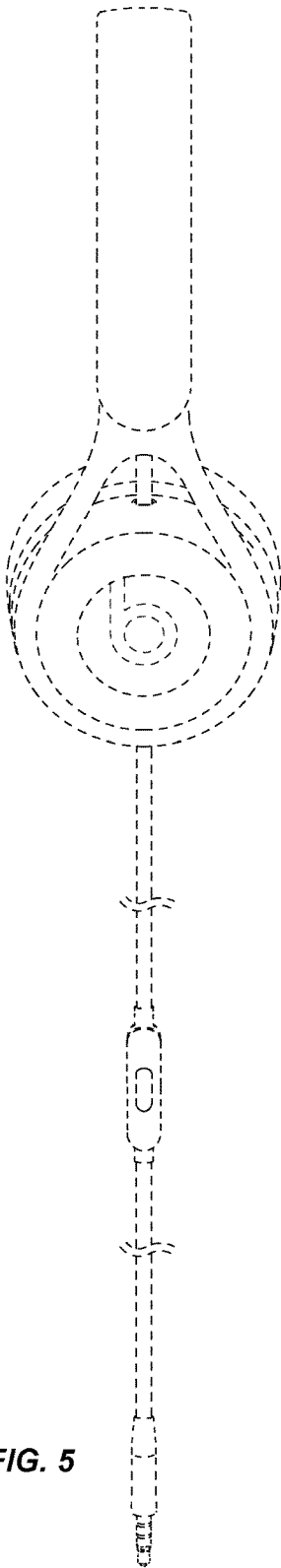


FIG. 5

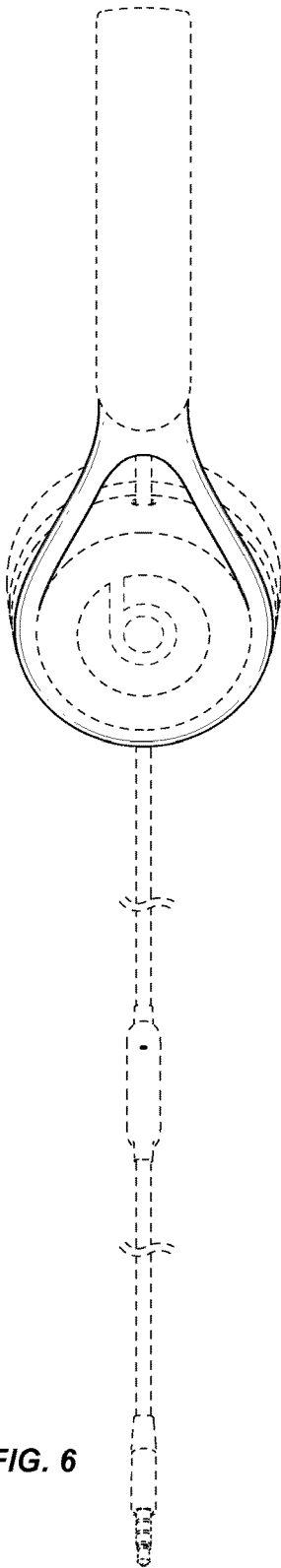


FIG. 6

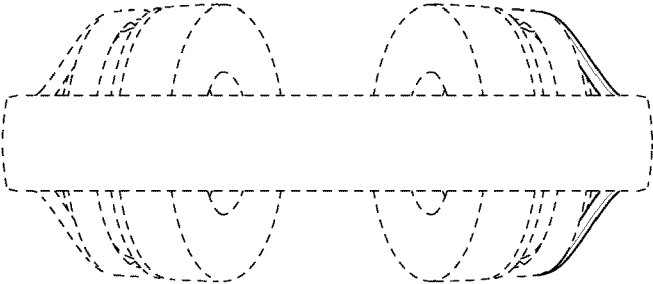


FIG. 7

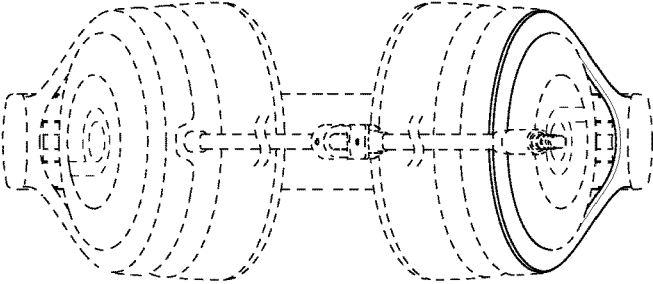


FIG. 8

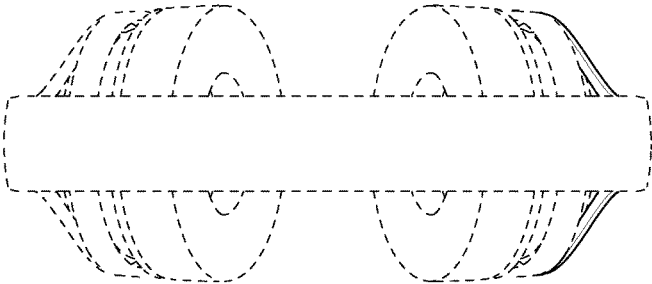


FIG. 7

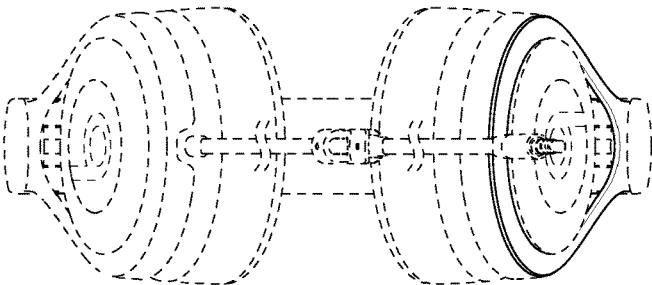


FIG. 8