

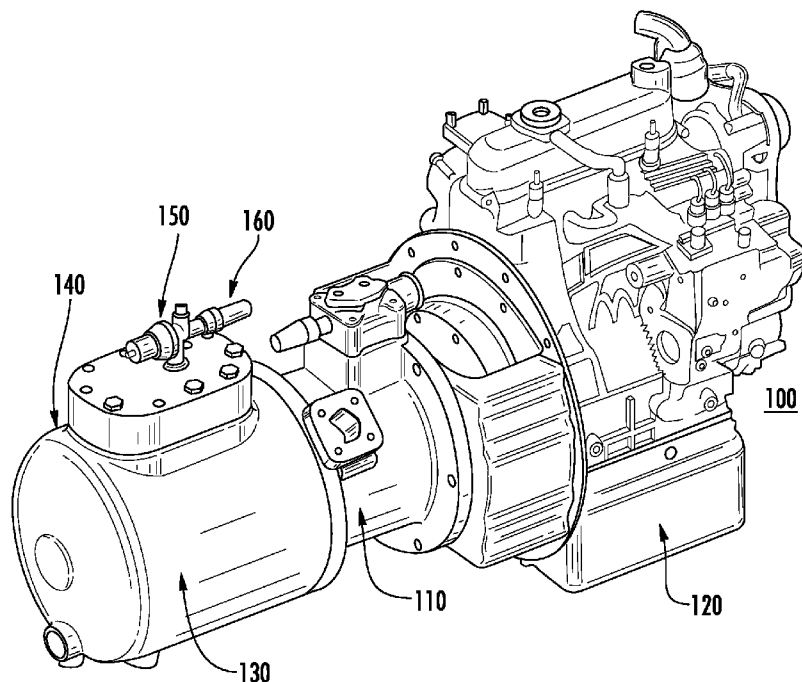


- (51) **International Patent Classification:**
F04B 35/00 (2006.01) F04B 39/06 (2006.01)
F25D 29/00 (2006.01)
- (21) **International Application Number:**
PCT/US20 12/044791
- (22) **International Filing Date:**
29 June 2012 (29.06.2012)
- (25) **Filing Language:** English
- (26) **Publication Language:** English
- (30) **Priority Data:**
61/505,3 11 7 July 201 1 (07.07.201 1) US
- (71) **Applicant (for all designated States except US):** CARRIER CORPORATION [US/US]; 1 Carrier Place, Farmington, Connecticut 06034 (US).
- (72) **Inventors; and**
- (75) **Inventors/Applicants (for US only):** CHOPKO, Robert A. [US/US]; 25 Shriver Drive, Baldwinsville, New York 13027 (US). PANDZIK, Richard T. [US/US]; 1238 James Street, Syracuse, New York 13203 (US).

- (74) **Agent:** FOX, David A.; Cantor Colburn LLP, 20 Church Street, 22nd Floor, Hartford, Connecticut 06103 (US).
- (81) **Designated States (unless otherwise indicated, for every kind of national protection available):** AE, AG, AL, AM, AO, AT, AU, AZ, BA, BB, BG, BH, BR, BW, BY, BZ, CA, CH, CL, CN, CO, CR, CU, CZ, DE, DK, DM, DO, DZ, EC, EE, EG, ES, FI, GB, GD, GE, GH, GM, GT, HN, HR, HU, ID, IL, IN, IS, JP, KE, KG, KM, KN, KP, KR, KZ, LA, LC, LK, LR, LS, LT, LU, LY, MA, MD, ME, MG, MK, MN, MW, MX, MY, MZ, NA, NG, NI, NO, NZ, OM, PE, PG, PH, PL, PT, QA, RO, RS, RU, RW, SC, SD, SE, SG, SK, SL, SM, ST, SV, SY, TH, TJ, TM, TN, TR, TT, TZ, UA, UG, US, UZ, VC, VN, ZA, ZM, ZW.
- (84) **Designated States (unless otherwise indicated, for every kind of regional protection available):** ARIPO (BW, GH, GM, KE, LR, LS, MW, MZ, NA, RW, SD, SL, SZ, TZ, UG, ZM, ZW), Eurasian (AM, AZ, BY, KG, KZ, RU, TJ, TM), European (AL, AT, BE, BG, CH, CY, CZ, DE, DK, EE, ES, FI, FR, GB, GR, HR, HU, IE, IS, IT, LT, LU, LV, MC, MK, MT, NL, NO, PL, PT, RO, RS, SE, SI, SK, SM, TR), OAPI (BF, BJ, CF, CG, CI, CM, GA, GN, GQ, GW, ML, MR, NE, SN, TD, TG).

[Continued on nextpage]

(54) **Title:** INTEGRATED TRANSPORT REFRIGERATION UNIT



(57) **Abstract:** An integrated transport refrigeration unit comprises an engine providing power to drive a shaft. The shaft drives a refrigerant compressor and a generator, both of which being encased within a housing, and the generator is immersed in refrigerant. In an exemplary embodiment, an integrated transport refrigeration unit also includes an auxiliary generator driven by the shaft and disposed externally from said housing. In this embodiment, the auxiliary produces current for charging a battery and for operating a fan.

WO 2013/006398 A3

INTERNATIONAL SEARCH REPORT

International application No PCT/US2012/044791

A. CLASSIFICATION OF SUBJECT MATTER INV. F04B35/00 F25D29/00 F04B39/06 ADD.		
According to International Patent Classification (IPC) or to both national classification and IPC		
B. FIELDS SEARCHED Minimum documentation searched (classification system followed by classification symbols) F04B F25B		
Documentation searched other than minimum documentation to the extent that such documents are included in the fields searched		
Electronic data base consulted during the international search (name of data base and, where practicable, search terms used) EPO-Internal , WPI Data		
C. DOCUMENTS CONSIDERED TO BE RELEVANT		
Category*	Citation of document, with indication, where appropriate, of the relevant passages	Relevant to claim No.
Y	EP 1 834 818 A2 (CARRIER CORP [US]) 19 September 2007 (2007-09-19) paragraphs [0001], [0005], [0014], [0021]; figures 2, 4-6 -----	1,3-6, 16,17,19
Y	GB 2 362 457 A (DELPHI TECH INC [US]) 21 November 2001 (2001-11-21) page 1, lines 16-24; figure 1 page 2, lines 10-16 -----	1,3-6, 16,17,19
A	US 5 857 348 A (CONRY RONALD DAVID [AU]) 12 January 1999 (1999-01-12) column 3, lines 8-11 column 4, lines 50-56 -----	1-19
<input type="checkbox"/> Further documents are listed in the continuation of Box C.		<input checked="" type="checkbox"/> See patent family annex.
* Special categories of cited documents :		"T" later document published after the international filing date or priority date and not in conflict with the application but cited to understand the principle or theory underlying the invention
"A" document defining the general state of the art which is not considered to be of particular relevance	"E" earlier application or patent but published on or after the international filing date	"X" document of particular relevance; the claimed invention cannot be considered novel or cannot be considered to involve an inventive step when the document is taken alone
"L" document which may throw doubts on priority claim(s) or which is cited to establish the publication date of another citation or other special reason (as specified)	"O" document referring to an oral disclosure, use, exhibition or other means	"Y" document of particular relevance; the claimed invention cannot be considered to involve an inventive step when the document is combined with one or more other such documents, such combination being obvious to a person skilled in the art
"P" document published prior to the international filing date but later than the priority date claimed	"&" document member of the same patent family	
Date of the actual completion of the international search 8 May 2013	Date of mailing of the international search report 16/05/2013	
Name and mailing address of the ISA/ European Patent Office, P.B. 5818 Patentlaan 2 NL - 2280 HV Rijswijk Tel. (+31-70) 340-2040, Fax: (+31-70) 340-3016	Authorized officer Melo Sousa, Filipe	

INTERNATIONAL SEARCH REPORT

Information on patent family members

International application No PCT/US2012/04479 1
--

Patent document cited in search report	Publication date	Patent family member(s)	Publication date
EP 18348 18	A2	19-09 -2007	DE 6003 1907 T2 08-03 -2007
			EP 1046543 A2 25- 10-2000
			EP 17 12383 A2 18- 10-2006
			EP 182972 1 A2 05- 09-2007
			EP 18348 18 A2 19- 09-2007
			ES 2272234 T3 01-05 -2007
			ES 2334049 T3 04-03 -20 10
			ES 2373572 T3 06- 02-20 12
			US 6223546 BI 01-05 -2001

GB 2362457	A	21- 11-2001	NONE

US 5857348	A	12-01 - 1999	AT 196344 T 15- 09-2000
			CA 2 165337 AI 22- 12- 1994
			CN 1 12806 1 A 31-07 - 1996
			DE 6942589 1 DI 19- 10-2000
			DE 6942589 1 T2 29-03 -2001
			EP 0704026 AI 03-04 - 1996
			ES 2 150992 T3 16- 12-2000
			HK 10 190 15 AI 12- 04-2001
			IL 109967 A 13- 07- 1997
			IN 184677 AI 23- 09-2000
			MY 138628 A 31-07 -2009
			NZ 267368 A 22-09 - 1997
			US 5857348 A 12- 01- 1999
			WO 9429597 AI 22- 12- 1994
			ZA 940425 1 A 08-05 - 1995
