



US00D683056S

(12) **United States Design Patent**
Neal et al.

(10) **Patent No.:** **US D683,056 S**
(45) **Date of Patent:** **** May 21, 2013**

- (54) **VEHICLE LIGHT BAR BRACKET**
- (76) Inventors: **Gene Neal**, Mesa, AZ (US); **Kennieth Neal**, Mesa, AZ (US)
- (**) Term: **14 Years**
- (21) Appl. No.: **29/372,903**
- (22) Filed: **Feb. 1, 2011**
- (51) **LOC (9) Cl.** **26-06**
- (52) **U.S. Cl.** **D26/28**
USPC **D26/28**
- (58) **Field of Classification Search** D26/28-36;
362/61, 80-83, 267-269, 275, 330-340
See application file for complete search history.

5,481,441 A 1/1996 Stevens
 D521,923 S 5/2006 Ellis
 D581,074 S * 11/2008 Starr D26/31

* cited by examiner

Primary Examiner — Marcus Jackson
 (74) *Attorney, Agent, or Firm* — John D. Titus

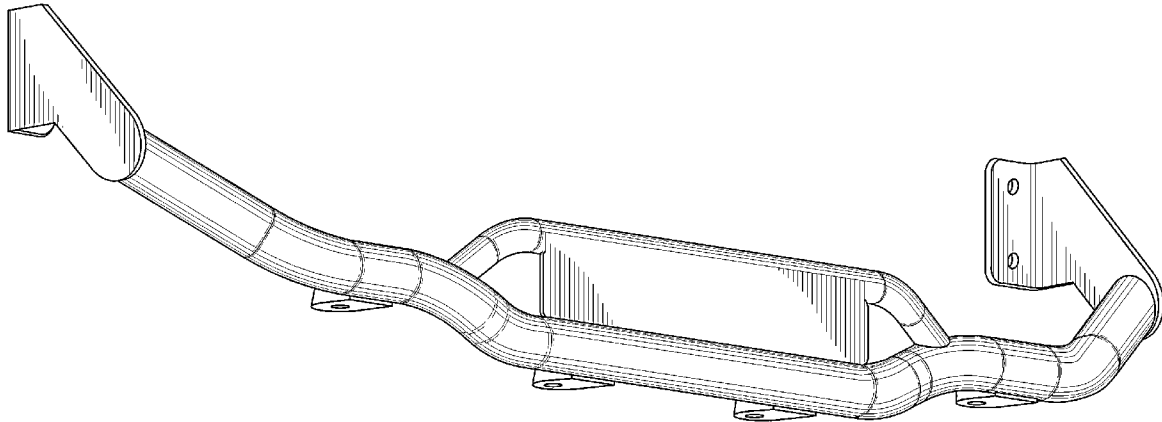
(57) **CLAIM**
 We claim the ornamental design for a vehicle light bar bracket, as shown and described.

DESCRIPTION

FIG. 1 is a front perspective view of the light bar of our design for a vehicle light bar;
 FIG. 2 is a front view thereof;
 FIG. 3 is a right side view of the vehicle light bar bracket of our design, the left side view being the mirror image thereof;
 FIG. 4 is a top view thereof; and,
 FIG. 5 is a bottom view of thereof.

- (56) **References Cited**
U.S. PATENT DOCUMENTS
 D310,793 S 9/1990 Castagna
 D317,428 S 6/1991 Carr

1 Claim, 4 Drawing Sheets



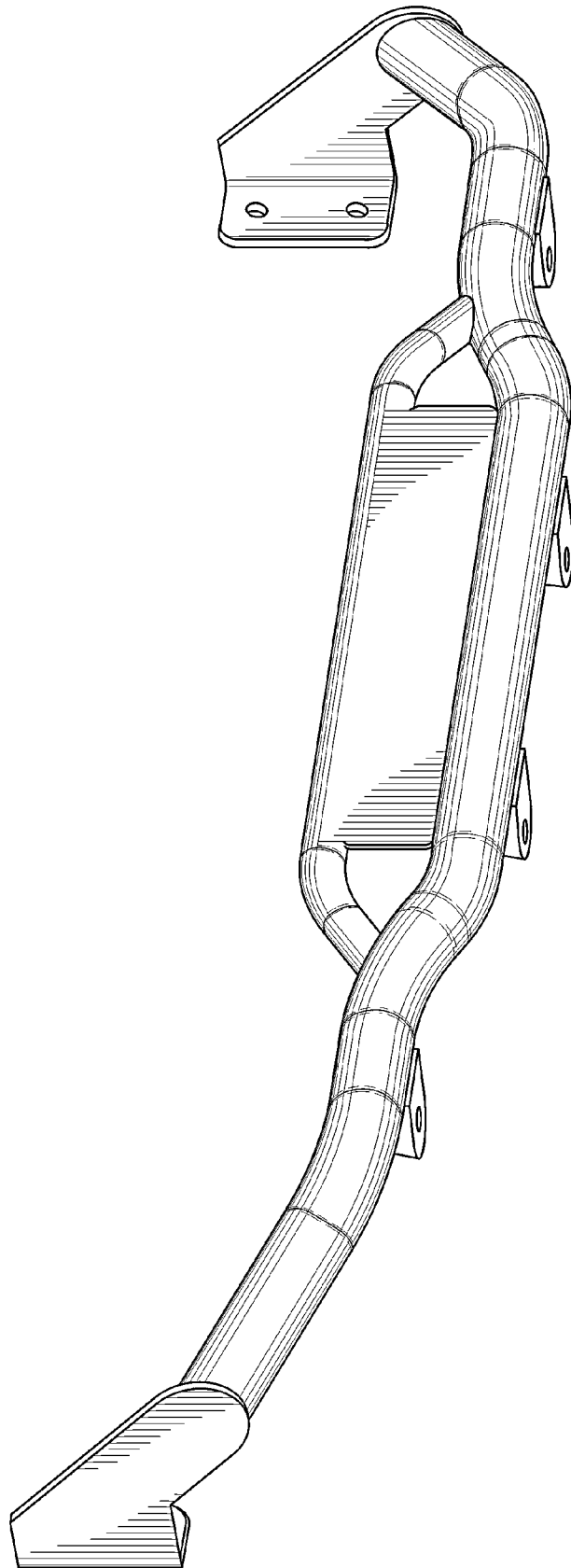


Fig. 1



Fig. 2

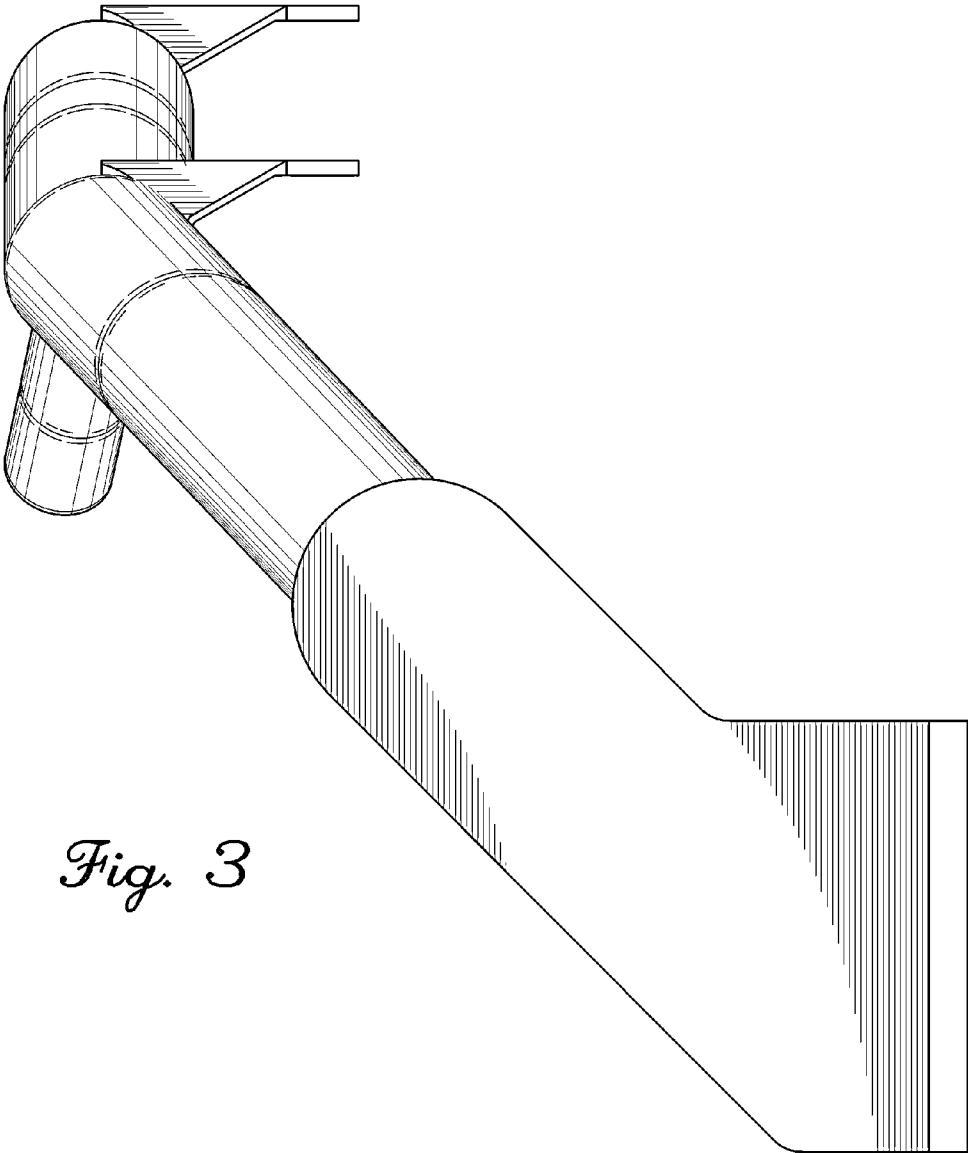


Fig. 3

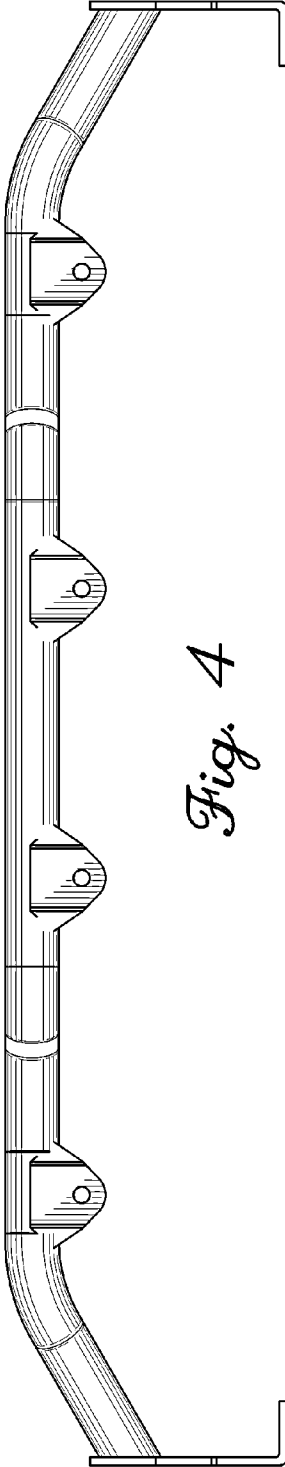


Fig. 4



Fig. 5