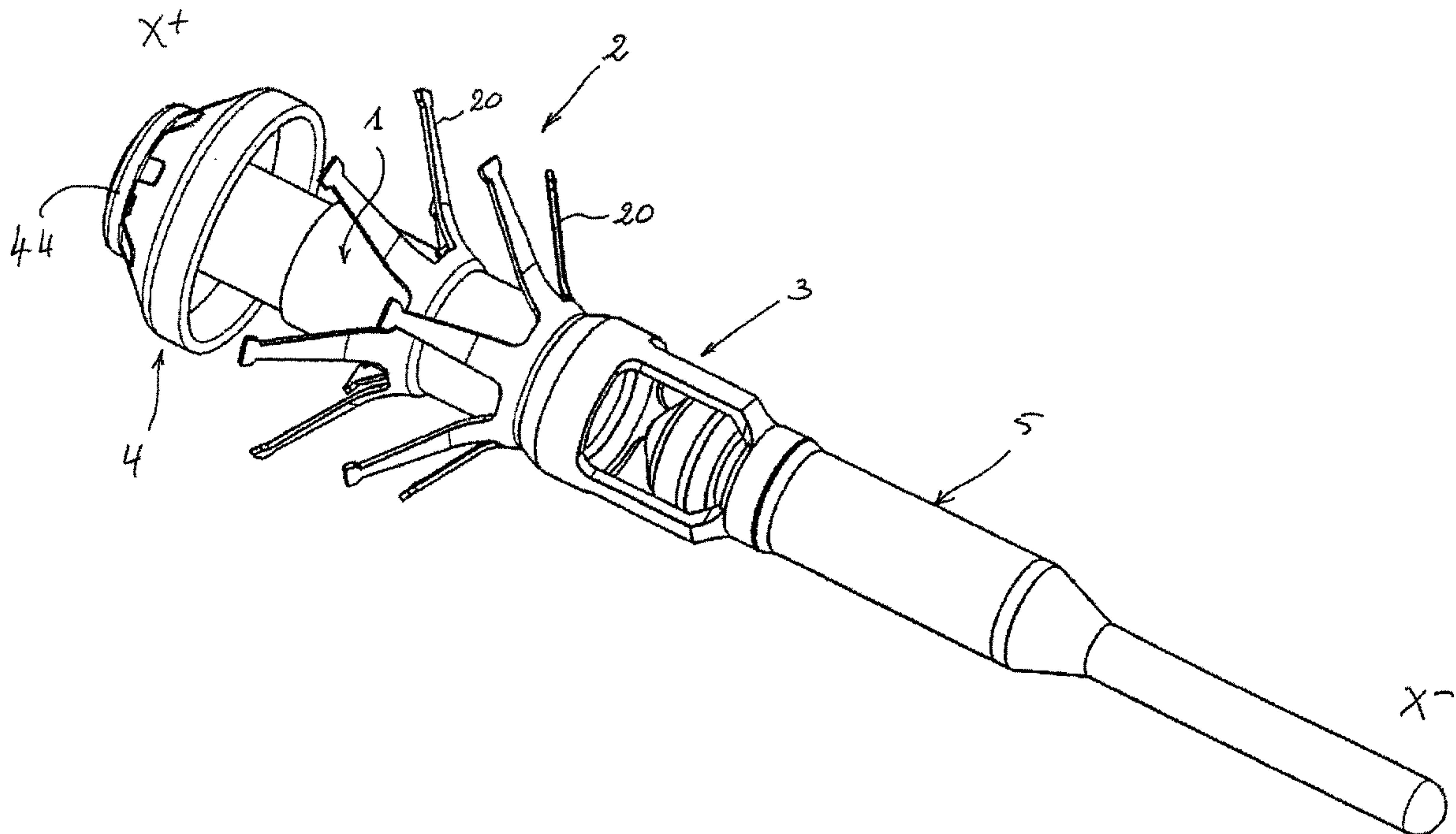




(86) Date de dépôt PCT/PCT Filing Date: 2008/05/19  
 (87) Date publication PCT/PCT Publication Date: 2008/12/04  
 (45) Date de délivrance/Issue Date: 2014/12/02  
 (85) Entrée phase nationale/National Entry: 2009/11/25  
 (86) N° demande PCT/PCT Application No.: FR 2008/050864  
 (87) N° publication PCT/PCT Publication No.: 2008/145939  
 (30) Priorité/Priority: 2007/05/25 (FR0703767)

(51) Cl.Int./Int.Cl. *F16K 17/30* (2006.01),  
*F16L 55/10* (2006.01), *F16L 55/136* (2006.01)  
 (72) Inventeurs/Inventors:  
DALIBEY, AMINE, FR;  
MANGON, DIDIER, FR  
 (73) Propriétaire/Owner:  
GDF SUEZ, FR  
 (74) Agent: HOFBAUER, PATRICK J.

(54) Titre : DISPOSITIF DE SECURITE COMPACT A DECLENCHEMENT AUTOMATIQUE POUR CONTROLER LE DEBIT D'UN FLUIDE.  
 (54) Title: AUTOMATICALLY TRIPPED COMPACT SAFETY DEVICE FOR CONTROLLING THE FLOW OF A FLUID



(57) Abrégé/Abstract:

The invention relates to a safety device to be inserted in a pipe through which a fluid flows from an upstream side (X-) to a downstream side (X+), this device comprising a tube (1) offering the fluid a central flow path controlled by a central valve (3) which closes in the event of excessive flow of this fluid, an elastically deformable annular shutter (4) mounted on the external periphery of the tube (1), and retention clamps (20). According to the invention, each of the clamps (20) has a tied end fastened to the periphery of the tube (1) upstream of the annular shutter (4) and can adopt, under the effect of a radial compression, a folded configuration in which its free end is turned towards this annular shutter (4).

(12) DEMANDE INTERNATIONALE PUBLIÉE EN VERTU DU TRAITÉ DE COOPÉRATION  
EN MATIÈRE DE BREVETS (PCT)(19) Organisation Mondiale de la Propriété  
Intellectuelle  
Bureau international(43) Date de la publication internationale  
4 décembre 2008 (04.12.2008)

PCT

(10) Numéro de publication internationale  
**WO 2008/145939 A3**(51) Classification internationale des brevets :  
*F16K 17/30* (2006.01) *F16L 55/136* (2006.01)  
*F16L 55/10* (2006.01)

(74) Mandataires : BENTZ, Jean-Paul etc.; Novagraaf Technologies, 122, rue Edouard Vaillant, F-92593 Lavallois-Perret Cedex (FR).

(21) Numéro de la demande internationale :  
PCT/FR2008/050864(81) États désignés (*sauf indication contraire, pour tout titre de protection nationale disponible*) : AE, AG, AL, AM, AO, AT, AU, AZ, BA, BB, BG, BH, BR, BW, BY, BZ, CA, CH, CN, CO, CR, CU, CZ, DE, DK, DM, DO, DZ, EC, EE, EG, ES, FI, GB, GD, GE, GH, GM, GT, HN, HR, HU, ID, IL, IN, IS, JP, KE, KG, KM, KN, KP, KR, KZ, LA, LC, LK, LR, LS, LT, LU, LY, MA, MD, ME, MG, MK, MN, MW, MX, MY, MZ, NA, NG, NI, NO, NZ, OM, PG, PH, PL, PT, RO, RS, RU, SC, SD, SE, SG, SK, SL, SM, SV, SY, TJ, TM, TN, TR, TT, TZ, UA, UG, US, UZ, VC, VN, ZA, ZM, ZW.

(22) Date de dépôt international : 19 mai 2008 (19.05.2008)

(25) Langue de dépôt : français

(26) Langue de publication : français

(30) Données relatives à la priorité :  
0703767 25 mai 2007 (25.05.2007) FR(71) Déposant (*pour tous les États désignés sauf US*) : GDF SUEZ [FR/FR]; 16-26 rue du Docteur Lancereaux, F-75008 Paris (FR).

(72) Inventeurs; et

(75) Inventeurs/Déposants (*pour US seulement*) : DALIBEY, Amine [FR/FR]; 109, rue Jean Jaurès, F-94800 Villejuif (FR). MANGON, Didier [FR/FR]; 106, rue Pointin, F-80000 Amiens (FR).(84) États désignés (*sauf indication contraire, pour tout titre de protection régionale disponible*) : ARIPO (BW, GH, GM, KE, LS, MW, MZ, NA, SD, SL, SZ, TZ, UG, ZM, ZW), eurasien (AM, AZ, BY, KG, KZ, MD, RU, TJ, TM), européen (AT, BE, BG, CH, CY, CZ, DE, DK, EE, ES, FI, FR, GB, GR, HR, HU, IE, IS, IT, LT, LU, LV, MC, MT, NL,

[Suite sur la page suivante]

(54) Title: AUTOMATICALLY TRIPPED COMPACT SAFETY DEVICE FOR CONTROLLING THE FLOW OF A FLUID

(54) Titre : DISPOSITIF DE SECURITE COMPACT A DECLENCHEMENT AUTOMATIQUE POUR CONTROLER LE DEBIT D'UN FLUIDE.

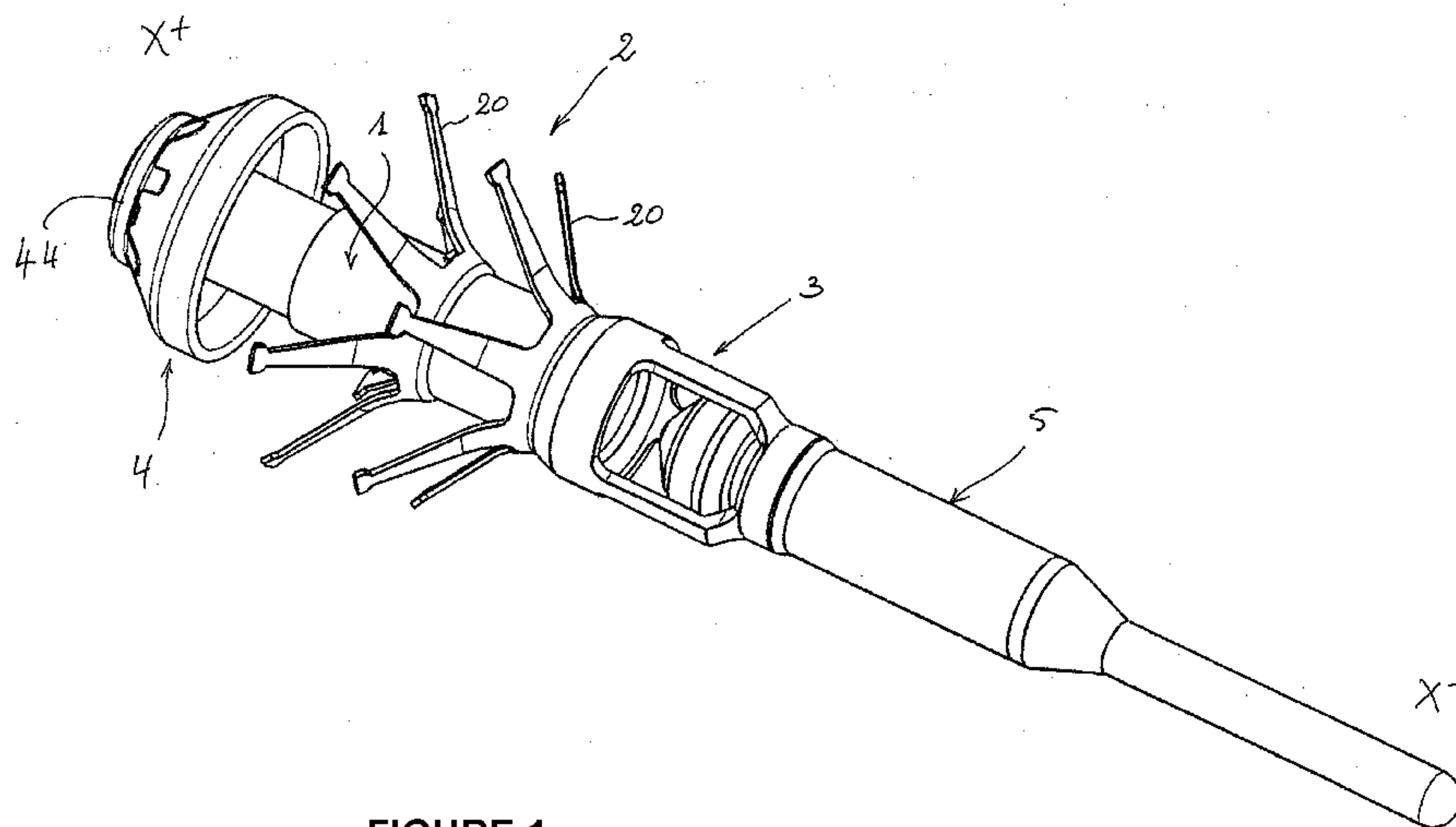


FIGURE 1

(57) Abstract: The invention relates to a safety device to be inserted in a pipe through which a fluid flows from an upstream side (X-) to a downstream side (X+), this device comprising a tube (1) offering the fluid a central flow path controlled by a central valve (3) which closes in the event of excessive flow of this fluid, an elastically deformable annular shutter (4) mounted on the external periphery of the tube (1), and retention clamps (20). According to the invention, each of the clamps (20) has a tied end fastened to the periphery of the tube (1) upstream of the annular shutter (4) and can adopt, under the effect of a radial compression, a folded configuration in which its free end is turned towards this annular shutter (4).

[Suite sur la page suivante]

**WO 2008/145939 A3**

NO, PL, PT, RO, SE, SI, SK, TR), OAPI (BF, BJ, CF, CG, CI, CM, GA, GN, GQ, GW, ML, MR, NE, SN, TD, TG).

— *avant l'expiration du délai prévu pour la modification des revendications, sera republiée si des modifications sont reçues*

**Publiée :**

— *avec rapport de recherche internationale*

**(88) Date de publication du rapport de recherche internationale:**

12 février 2009

---

**(57) Abrégé :** L'invention concerne un dispositif de sécurité destiné à être inséré dans une canalisation parcourue par un fluide qui y circule d'amont (X-) en aval (X+), ce dispositif comprenant un tube (1) offrant au fluide une voie de circulation centrale contrôlée par un clapet central (3) se fermant en cas de débit excessif de ce fluide, un obturateur annulaire (4) élastiquement déformable et monté à la périphérie externe du tube (1), et des griffes de retenue (20). Selon l'invention, chacune des griffes (20) présente une extrémité liée fixée à la périphérie du tube (1) en amont de l'obturateur annulaire (4), et peut adopter, sous l'effet d'une compression radiale, une configuration de repli dans laquelle son extrémité libre est tournée vers cet obturateur annulaire (4).

AUTOMATICALLY TRIPPED COMPACT SAFETY DEVICE FOR CONTROLLING  
THE FLOW OF A FLUID

The present invention generally relates to the devices of  
5 the type represented by automatically tripped safety valves  
used in gas distribution systems.

More particularly, the invention relates to a safety  
device inserted in a fluid pipe of minimum cross-sectional  
area determined in order to protect it from an excess flow of  
10 the fluid flowing therein from upstream to downstream, this  
device comprising:

- a tube exhibiting open upstream and downstream ends  
offering the fluid a central flow path,

- retention means for holding this device in place within  
15 the pipe,

- control means for controlling the fluid circulation,  
including a central valve and an elastically deformable  
annular shutter and fastened to the outer periphery of the  
tube, and

- a hollow body fastened to the tube in the extension and  
20 upstream from this tube,

The retention means including a first set of clamps, each  
one of which exhibits a free end biased by an elastic force  
towards a radial unfolding configuration equivalent to that of  
25 the spokes of an open umbrella, and this device moves between  
a resting configuration, which it adopts in the event of  
normal fluid flow and wherein the central valve frees the  
central flow path, and a safety configuration, which it adopts  
in the event of an excessive fluid flow and wherein the  
30 central valve shuts-off the central flow path.

A device fitting this generic definition is particularly known to those skilled in the art from US patent 6 962 165.

Some fluid distribution systems require special safety measures, imposed by the nature of the transported fluid and  
5 by any possible risk of damage occurring to the ducts which constitute these systems.

For example, the gas distribution systems in urban areas usually lie under roads and pavements, that is, under public land structures, likely to undergo various works, notably  
10 earthworks.

However, if a gas duct is accidentally pulled up or severed during such works, the immediately resulting gas leak creates a high risk of fire or explosion.

In this context, safety valves have been developed to  
15 shut-off the gas ducts as soon as an abnormally high flow of gas is detected therein.

However, to date, the safety valves can only be easily mounted onto new systems in the process of being laid, or possibly onto existent systems, but only during their  
20 renovation.

In fact, as the ducts of the existing systems may have been constructed at different periods and according to different standards, meaning that they do not necessarily have very precisely defined diameters and exhibit, obstacles,  
25 flashes, buckles, restrictions, and/or varied bend radiuses along their run, the implementation of a safety valve in an existent system remains a tricky job.

Thus, although the valve described in the aforementioned US patent 6 962 165 has been designed to make such operation  
30 possible, its specific design limits its application to systems exhibiting relatively high bend radiuses.

Designed in this context, the object of the invention is hence to propose a safety device liable to be set up without excavation, in most known systems including in systems exhibiting low bend radiuses, for example of about ten times  
5 the diameter of the pipe wherein this device is introduced.

To this end, the device of the invention, which still further conforms to the generic definition given in the preamble above, is substantially characterized in that each one of the clamps exhibits a tied end fastened to the  
10 periphery of the tube upstream from the annular shutter, and in that these clamps selectively exhibit, under the application of a radial compression, a folded configuration wherein their respective free ends are turned towards this annular shutter.

15 Preferably, the annular shutter comprises a seal made in an elastomeric material whereof a downstream end is fastened to the tube, this seal exhibiting a rotational symmetry, an at least partially conical axial cross-section, and a concavity turned upstream.

20 Furthermore, it is judicious that the seal of the annular shutter be provided such that it selectively exhibits, under the application of a radial compression, a total diameter less than that of the determined minimal cross-sectional area of the pipe, and the absence of stress, a total diameter higher  
25 than that of the determined minimal cross-sectional area of the pipe.

In order to optimize the tightness of the device, the seal of the annular shutter may be advantageously edged with a substantially cylindrical lip coaxial to the tube.

30 Furthermore, in order to prevent the reversal of the seal, the annular shutter may comprise a retention ring reinforcing the downstream end of the seal and holding it on the tube.

In an effective embodiment of the invention, the retention means comprise a ring tightly encircling the tube and linking together the respective tied ends of the clamps of the first set of clamps.

5        Furthermore, each of the clamps may exhibit, from its tied end towards its free end, a width that first decreases over the seven eighths at least of its length until it reaches a minimal value, then an increasing width starting from this minimal value.

10        Each of these clamps may further exhibit, in the unfolding configuration, a curvature that moves it away from the tube at an increasing distance from its tied end.

In addition to the first set of clamps, the retention means may include a second set of clamps of the same  
15 constitution as the first set and shifted axially along the tube with respect to this first set, the clamps of the first and second sets being arranged in staggered rows.

An optimal holding of the device in the pipe may be obtained by making the retention means from steel.

20        Other features and advantages of the invention will become more apparent from the following description thereof, given only by way of a non limitative example, with reference to the accompanying drawings, wherein;

25        - Fig.1 is an enlarged perspective view of a device in accordance with the invention, shown in the configuration that it adopts in the absence of stress;

- Fig.2 is a longitudinal cross sectional view of the device shown in fig.1, the scale of which has been slightly reduced;

- Fig.3 is a longitudinal cross sectional view of a tool for setting a device in accordance with the invention in a pipe; and

- Fig.4 is an enlarged longitudinal cross sectional view of a component of a device according to the invention, shown after its insertion in a pipe.

As previously stated, the invention relates to a safety device designed to be inserted into a pipe K of fluid of a determined minimal cross-sectional area S, and more specifically into a gas pipe in the preferred application of the invention, so as to protect this pipe against an excessive fluid flow, and more specifically of the gas, which circulates therein from an upstream side (X-) to a downstream side (X+).

In a manner known per se, this device substantially comprises a tube 1, retention means 2 for holding the tube 1 in place in the pipe K, control means for controlling the fluid circulation including a central valve 3 and an annular shutter 4, and a hollow body 5 fastened to the tube 1 in the extension of and upstream from this tube.

Tube 1 that may be composed of several parts, is open at its upstream 10 and downstream 11 ends, and thus, spontaneously provides the fluid with a central flow path CC (Fig.2), controlled by the central valve 3.

As is once again shown in this Figure, hollow body 5 and tube 1 are longitudinally spaced apart from each other by an open longitudinal space EL offering the fluid flowing in the pipe K a passage controlled by the central valve 3 and which links the external part of the hollow body 5 to the internal part of the tube 1.

In these conditions, the device of the invention may change between a resting configuration, which it adopts in the

event of a normal flow of fluid and wherein the central valve 3 frees the central flow path CC, and a safety configuration, which it adopts in the event of an excessive flow of fluid and wherein the central valve 3 shuts-off the central flow path  
5 CC.

The central valve 3 is substantially composed of a valve seat 30 formed on tube 1, a central shutter 31 that rests on the valve seat 30 in the safety configuration, and a spring 32.

10 Spring 32 exerts on the central shutter 31 an opening elastic force that biases this shutter 31 at a distance from the valve seat 30, against a closing force exerted on this central shutter 31 by an experienced head loss, between the regions directly upstream and downstream of the central  
15 shutter, by the fluid circulating in pipe K.

As long as the flow of fluid in this pipe is normal, the closing force is overcome by the force exerted by spring 32, such that the central shutter 31 is held at a distance from the valve seat 30.

20 On the other hand, as soon as the flow of fluid in the pipe K becomes excessive, the force exerted by spring 32 is overcome by the closing force exerted by the head loss, that increases with the flow, such that the spring 32 is compressed and the central shutter 31 is pressed on the valve seat 30.

25 As the skilled person will easily understand at least upon reading the above, the limit value of the flow beyond which this flow is considered as excessive may be adjusted by regulating the calibrating force of spring 32.

The central shutter 31 is for example fastened to the  
30 downstream end of a rod 33 whereon acts the spring 32, this

rod 33 and the spring 32 being housed and guided in the hollow body 5 and hence, arranged upstream of tube 1.

For example, spring 32 is interposed between an inner thrust bearing 52 of hollow body 5 and a thrust bearing 330 formed on rod 33.

As shown, the upstream profile of the device or of the hollow body 5 may be optimized aerodynamically by adding a flexible part 59 in the shape of an airplane nose, fastened to the hollow body 5 upstream and in the extension thereof, this part 59 making it possible to reduce the head losses of the device by minimizing the disruptions of the fluid flux, to guide the device in the elbows of pipe K, and to serve as an upstream thrust bearing to the device when it is set-up in a connection plug.

The retention means 2 comprise one or several crowns, such as 2a and 2b, of retention clamps 20.

Each of these clamps 20 exhibits a free end 22 biased by an elastic force towards a radial unfolding configuration, shown on figs. 1 and 2, and equivalent to that of the spokes of an open umbrella.

According to an aspect of the invention, each of these clamps 20 exhibits a tied end 21 which is fastened to the periphery of tube 1, upstream from the annular shutter 4 and downstream from the central valve 3.

For the setting up of the device in pipe K, the clamps 20 should be folded back radially towards the tube 1 to make it possible for this device to progress in this pipe despite the existence of possible diameter restrictions in this pipe, after which the clamps 20 are allowed to spontaneously recover their unfolded configuration to ensure the anchoring of this device inside the pipe.

This setting up may be achieved through the use of a tool such as shown in fig.3, known per se from patent EP 1 059 481, and serving as a vector to the device of the invention.

For example, such a tool comprises a socket DL associated  
5 to a hydraulic jack VR, in this case, a hydraulic jack, the piston PS of which is extended by a push-type member PO designed to controllably move within socket DL.

This tool is carried by an end of a flexible bead (not shown) that can be introduced in the pipe K to the selected  
10 point for the setting of the device of the invention.

To introduce the device of the invention in a pipe, this device is first placed, in a folded configuration and radially compressed in socket DL of this tool.

The tool is pushed into the pipe by means of the flexible  
15 bead, until the socket DL reaches the selected location for setting the device.

An hydraulic fluid is then injected, through the bead into an end XT of the jack VR, and the push-type member PO, driven by the piston PS, expels the device from the socket DL.

This process is made possible by the fact that the device  
20 of the invention may be compressed in the socket DL until it reaches a highly reduced diameter that facilitates the crossing of narrow passages of pipe K.

Furthermore, the radial elastic force developed by the  
25 clamps 20 in a constricted state in the socket DL are sufficient to ensure the mechanical cohesion of the assembly formed by the socket DL and the device of the invention for its introduction into the pipe.

According to another aspect of the invention, the clamps  
30 20 exhibit, under the application of a radial compression and

particularly in their constricted state inside the socket DL, a folded configuration in which their respective free ends 22 are turned towards the annular shutter 4 and, for some clamps at least, immediately adjacent to this shutter.

5 This arrangement has the effect of minimizing the length of the socket DL, hence of the inserting tool shown in fig.1 and more generally of the assembly of the inserting tool and of the safety device, making it possible for this assembly to pass through the elbows of the pipe K exhibiting relatively  
10 low bend radiuses.

As shown in figs. 1 and 2, the annular shutter 4 comprises a seal 40 made from an elastomeric material a downstream end 41 of which is fastened to tube 1.

This seal is edged on its upstream end by a substantially  
15 cylindrical lip 42 coaxial to tube 1, and exhibits an at least partially conical-shaped intermediary axial cross-section 43.

This seal 4 assembly further exhibits a rotational symmetry around the longitudinal axis X of the device, and a concavity turned towards the upstream side X-.

20 Under the effect of a radial compression, and particularly when it is compressed in the socket DL, the seal 40 exhibits, by construction, a total diameter less than that of the minimal cross-section of the pipe, whereas this seal, when freed from any stress, exhibits a total diameter not only  
25 larger than that of the minimal cross-section of the pipe, but preferably even a total diameter at least close to the maximal cross-section of this pipe.

In other words, seal 40 exhibits dimensions that make it possible for the lip 42 to spontaneously press against the  
30 inner wall of the pipe K as soon as the safety device is set up.

Furthermore, when the pipe K experiences a flow of fluid, lip 42 of seal 40 is subject to, at least after the closing of the central valve 3, a forced radial expansion that presses it even more against the inner wall of pipe K and which leads to an optimal obstruction of the area comprised between the periphery of the tube 1 and the inner wall of the pipe.

In order to prevent the reversal of seal 40, at that time subjected to considerable stress, by modifying the direction of its concavity, the downstream end 41 of seal 40 may be reinforced by a corolla-shaped retention ring 44, of same taper as that of seal 40, and which holds its downstream end 41 on tube 1.

As particularly shown by figs. 1 and 4, the retention means 2 preferably comprise a ring 200 that tightly encircles the tube 1 and that links the respective tied ends 21 of the clamps 20 of each crown or set of clamps, 2a and 2b, to each other.

In the event where the device of the invention comprises, apart from a crown 2a of clamps arranged at the immediate vicinity of the seal 40, a second crown 2b of clamps, this second crown advantageously exhibits the same constitution as that of the first crown 2a and is shifted axially along the tube 1 with respect to the first crown, the clamps 20 of the neighboring crowns 2a and 2b being arranged in staggered rows.

In order to optimize the holding of the device in the pipe K, each crown 2a and 2b is for example made of steel.

Furthermore, it is judicious to provide each one of the clamps 20 such that it exhibits, from its tied end 21 towards its free end 22, a width first decreasing over the seven eighths at least of its length until it reaches a minimal value, then an increasing width from this minimal value.

The elastic return force of the clamps 20 may then be optimized by providing each one of the clamps 20, in the unfolding configuration, a curvature that moves it away from the tube 1 at an increasing distance from its tied end 21.

THE EMOBIMENTS OF THE INVENTION IN WHICH AN EXCLUSIVE PROPERTY OR PRIVILEGED IS CLAIMED ARE DEFINED AS FOLLOWS:

1. A safety device inserted in a pipe of fluid (K) of determined minimal cross-sectional area to protect it from an excessive flow of fluid flowing therein from an upstream side (X-) to a downstream side (X+), this device comprising:

- a tube (1) exhibiting open upstream and downstream ends (10, 11) and providing the fluid with a central flow path (CC),
- 10 - retention means (2) for holding this device in place in the pipe (K),
- control means for controlling the fluid circulation (3,4), including a central valve (3) and an elastically deformable annular shutter (4) fastened to the outer periphery
- 15 of the tube (1), and
- a hollow body (5) fastened to the tube (1) in the extension of and upstream from this tube,

the retention means (2) including a first set 2a) of clamps (20) each one of which exhibits a free end (22) biased

20 by an elastic force towards a radial unfolding configuration equivalent to that of the spokes of an open umbrella, and this device moving between a resting configuration which it adopts in the event of a normal flow of the fluid and in which the central valve (3) frees the central flow path (CC), and a

25 safety Configuration, which it adopts in the event of an excessive flow of fluid and in which the central valve (3) shuts-off the central flow path (CC),

characterized in that each one of the clamps (20) exhibits a tied (21) end fastened to the periphery of the tube (1)

30 upstream from the annular shutter (4), and in that these

clamps (20) selectively exhibit, under the application of a radial compression, a folded configuration in which their respective free ends (22) are turned towards this annular shutter (4)

5           2. The safety device according to claim 1, characterized in that the annular shutter (4) comprises a seal (40) made of an elastomeric material a downstream end (41) of which is fastened to the tube (1), this seal exhibiting a rotational symmetry, at least a partially conical axial cross-section,  
10 and a concavity turned upstream.

          3. The safety device according to claim 2, characterized in that the seal (40) selectively exhibits, under the application of a radial compression, a total diameter less than that of the determined minimal cross-sectional area of the  
15 pipe, and in the absences of stress, a total diameter larger than that of the determined minimal cross-sectional area of the pipe.

          4. The safety device according to claim 2 or 3, characterized in that the seal (40) is edged by a substantially  
20 cylindrical lip (42) coaxial to the tube (1)

          5. The safety device according to any one of claims 2 to 4, characterized in that the annular shutter (4) further comprises a retention ring (44) reinforcing the downstream end (41) of the seal (40) and holding it on tube (1).

25           6. The safety device according to any one of claims 1 to 5, characterized in that the retention means (2) comprise a ring (200) encircling the tube (1) and linking the respective tied ends (21) of the clamps (20) of the first set (2a) of clamps.

7. The safety device according to any one of claims 1 to 6, characterized in that each one of the clamps (20) exhibits, from its tied end towards its free end, a width that first decreases at least over the seven eighths of its length until  
5 it reaches a minimal value, then an increasing width starting from this minimal value.

8. The safety device according to any one of claims 1 to 7, characterized in that each one of the clamps (20) exhibits, in the unfolding configuration, a curvature that moves it away  
10 from the tube (1) at an increasing distance from its tied end (21).

9. The safety device according to any one of claims 6 to 8, characterized in that the retention means (2) include a second set (2b) of clamps (20) of the same constitution as the  
15 first set (2a) and shifted axially along the tube (1) with respect to this first set, the clamps (20) of the first and second sets being arranged in staggered rows.

10. The safety device according to any one of claims 1 to 9, characterized in that the retention means (2) are made from  
20 steel.

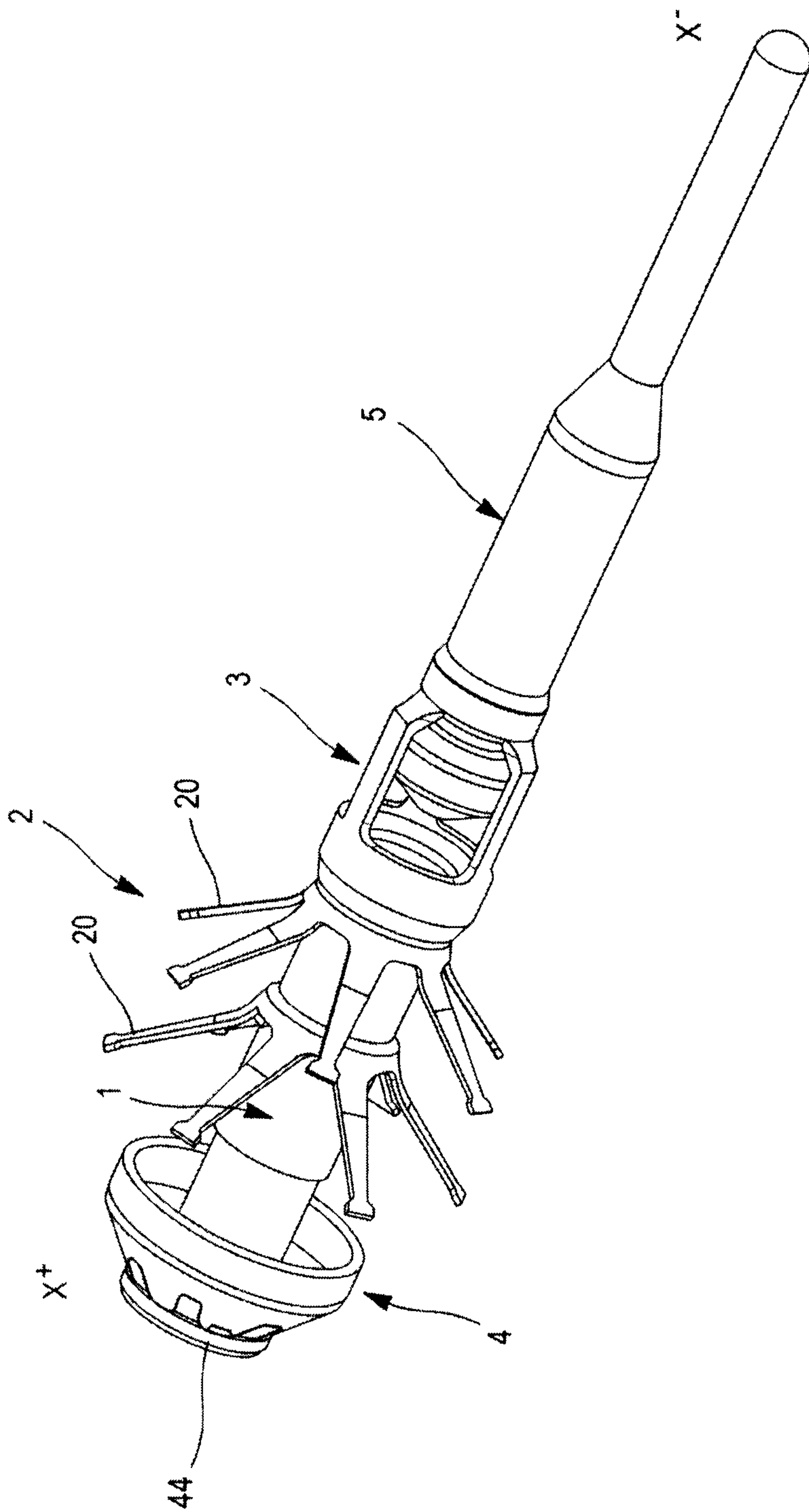


FIG. 1



3 / 3

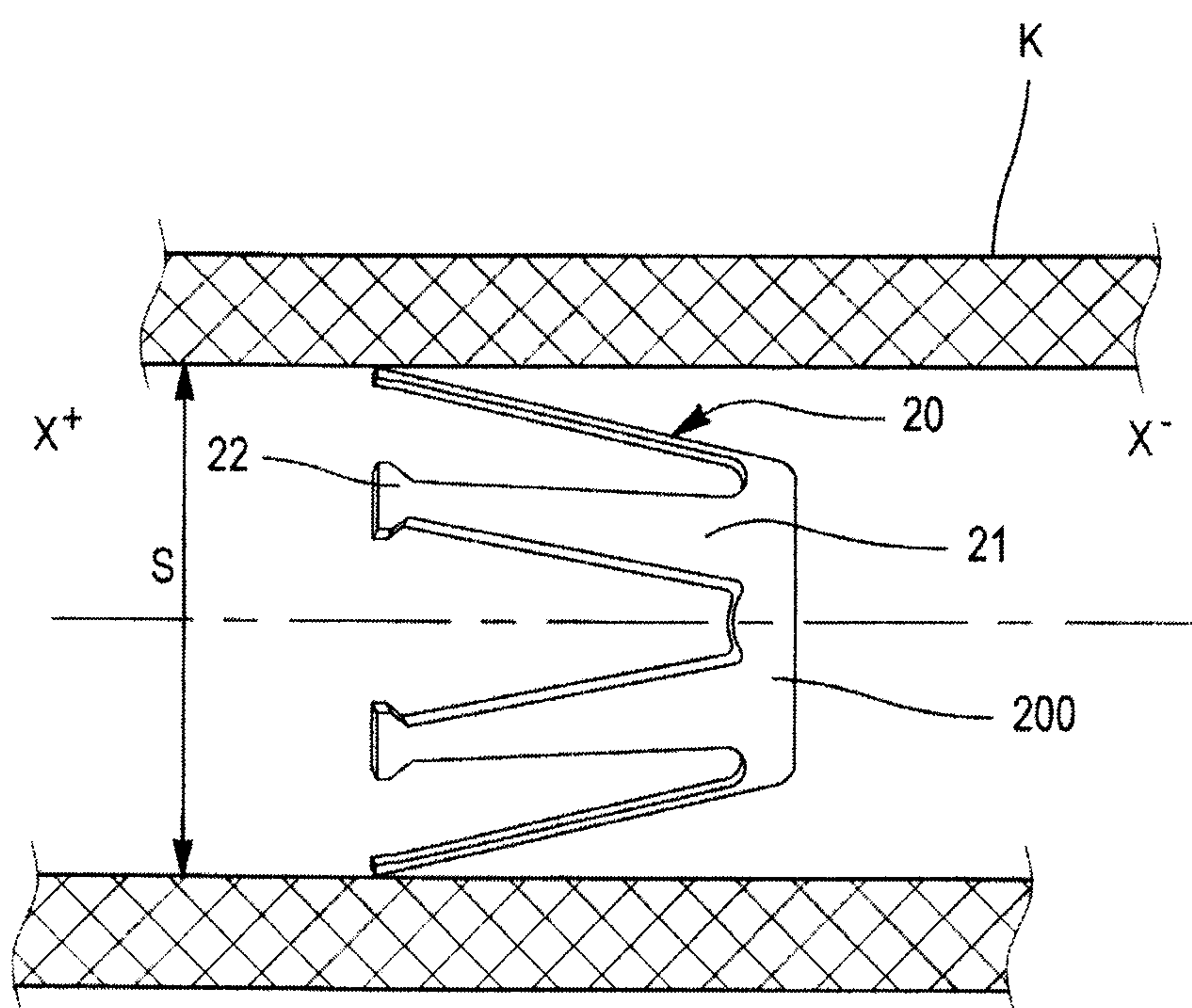


FIG. 4

