

(19) World Intellectual Property Organization
International Bureau



(43) International Publication Date
28 February 2008 (28.02.2008)

PCT

(10) International Publication Number
WO 2008/023206 A3

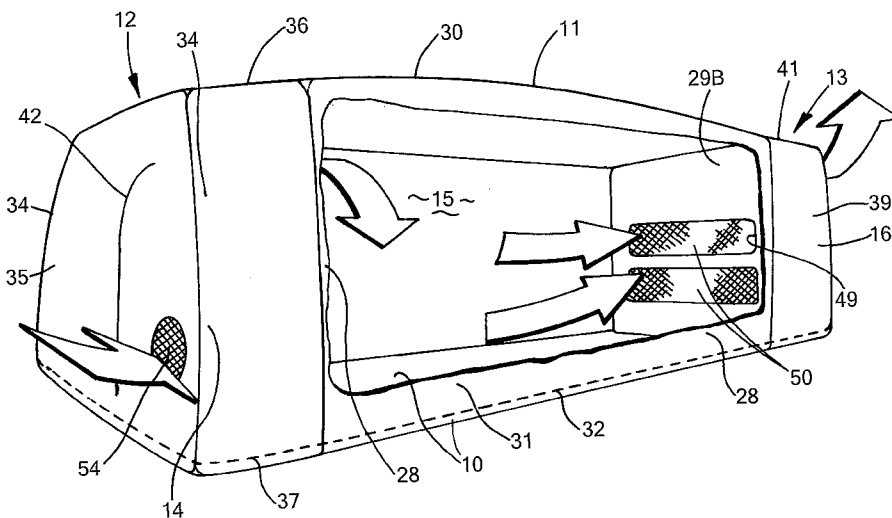
- (51) International Patent Classification:
E04H 15/22 (2006.01)
- (21) International Application Number:
PCT/GB2007/050504
- (22) International Filing Date: 22 August 2007 (22.08.2007)
- (25) Filing Language: English
- (26) Publication Language: English
- (30) Priority Data:
0616634.2 22 August 2006 (22.08.2006) GB
- (71) Applicant and
(72) Inventor: PAGE, George [GB/GB]; 421 Lower Broughton Road, The Cliff, Salford, Manchester Greater Manchester M7 2EZ (GB).
- (74) Agents: GILLAM, Francis et al.; 34 East Stockwell Street, Colchester Essex CO1 1ST (GB).
- (81) Designated States (unless otherwise indicated, for every kind of national protection available): AE, AG, AL, AM, AT, AU, AZ, BA, BB, BG, BH, BR, BW, BY, BZ, CA, CH,

CN, CO, CR, CU, CZ, DE, DK, DM, DO, DZ, EC, EE, EG, ES, FI, GB, GD, GE, GH, GM, GT, HN, HR, HU, ID, IL, IN, IS, JP, KE, KG, KM, KN, KP, KR, KZ, LA, LC, LK, LR, LS, LT, LU, LY, MA, MD, ME, MG, MK, MN, MW, MX, MY, MZ, NA, NG, NI, NO, NZ, OM, PG, PH, PL, PT, RO, RS, RU, SC, SD, SE, SG, SK, SL, SM, SV, SY, TJ, TM, TN, TR, TT, TZ, UA, UG, US, UZ, VC, VN, ZA, ZM, ZW.

(84) Designated States (unless otherwise indicated, for every kind of regional protection available): ARIPO (BW, GH, GM, KE, LS, MW, MZ, NA, SD, SL, SZ, TZ, UG, ZM, ZW), Eurasian (AM, AZ, BY, KG, KZ, MD, RU, TJ, TM), European (AT, BE, BG, CH, CY, CZ, DE, DK, EE, ES, FI, FR, GB, GR, HU, IE, IS, IT, LT, LU, LV, MC, MT, NL, PL, PT, RO, SE, SI, SK, TR), OAPI (BF, BJ, CF, CG, CI, CM, GA, GN, GQ, GW, ML, MR, NE, SN, TD, TG).

- Published:**
- with international search report
 - before the expiration of the time limit for amending the claims and to be republished in the event of receipt of amendments
- (88) Date of publication of the international search report:
24 April 2008

(54) Title: TRANSPORTABLE INFLATABLE WORKSTATION



(57) Abstract: A transportable workstation suitable for providing a closed environment for spraying a vehicle has a base sheet (10) and a cover sheet (11) connected to the edges of the base sheet (10) and at least partially releasable therefrom. First and second further sheets (12, 13) are provided within the cover sheet (11) and are also releasably connected to the base sheet (10) in order to define first and second end chambers (14, 16), between which is formed a work chamber (15). An air blower (53) drives air into the first end chamber (14) and passageways allow the flow of air from that first end chamber (14) into the work chamber (15) and from there into the second end chamber (16) before release to the ambient. A filter (50, 52) is associated with the air flow through the second end chamber to prevent pollutants entering the atmosphere. Closable access openings are provided in the first end chamber (14), respectively from the exterior and to the work chamber (15).

WO 2008/023206 A3

INTERNATIONAL SEARCH REPORT

International application No
PCT/GB2007/050504

A. CLASSIFICATION OF SUBJECT MATTER
INV. E04H15/22

According to International Patent Classification (IPC) or to both national classification and IPC

B. FIELDS SEARCHED

Minimum documentation searched (classification system followed by classification symbols)
E04H

Documentation searched other than minimum documentation to the extent that such documents are included in the fields searched

Electronic data base consulted during the international search (name of data base and, where practical, search terms used)

EPO-Internal

C. DOCUMENTS CONSIDERED TO BE RELEVANT

Category*	Citation of document, with indication, where appropriate, of the relevant passages	Relevant to claim No.
A	US 3 857 209 A (MILLIKEN P) 31 December 1974 (1974-12-31) column 2, line 28 - column 4, line 33; figures 1-7 -----	1-4,7-9, 12,14, 21,26,28
A	US 6 438 900 B1 (PAGE GEORGE [GB]) 27 August 2002 (2002-08-27) column 5, line 9 - column 6, line 65; figures 1-6 -----	1,2,5,7, 14-26,28
A	WO 02/36904 A (PAGE GEORGE [GB]) 10 May 2002 (2002-05-10) page 4, line 20 - page 7, line 32; figures 1-4 ----- -/--	1,2,5,7, 14-26,28

Further documents are listed in the continuation of Box C.

See patent family annex.

* Special categories of cited documents :

A document defining the general state of the art which is not considered to be of particular relevance

E earlier document but published on or after the international filing date

L document which may throw doubts on priority claim(s) or which is cited to establish the publication date of another citation or other special reason (as specified)

O document referring to an oral disclosure, use, exhibition or other means

P document published prior to the international filing date but later than the priority date claimed

T later document published after the international filing date or priority date and not in conflict with the application but cited to understand the principle or theory underlying the invention

X document of particular relevance; the claimed invention cannot be considered novel or cannot be considered to involve an inventive step when the document is taken alone

Y document of particular relevance; the claimed invention cannot be considered to involve an inventive step when the document is combined with one or more other such documents, such combination being obvious to a person skilled in the art.

& document member of the same patent family

Date of the actual completion of the international search

12 February 2008

Date of mailing of the international search report

19/02/2008

Name and mailing address of the ISA/
European Patent Office, P.B. 5818 Patentlaan 2
NL - 2280 HV Rijswijk
Tel. (+31-70) 340-2040, Tx. 31 651 epo nl,
Fax: (+31-70) 340-3016

Authorized officer

Stefanescu, Radu

INTERNATIONAL SEARCH REPORT

International application No
PCT/GB2007/050504

C(Continuation). DOCUMENTS CONSIDERED TO BE RELEVANT		
Category*	Citation of document, with indication, where appropriate, of the relevant passages	Relevant to claim No.
A	<p>EP 0 118 343 A (CITREM [FR]) 12 September 1984 (1984-09-12)</p> <p>page 6, line 23 - page 8, line 36 page 11, line 11 - page 13, line 4; figures 1-8</p> <p style="text-align: center;">-----</p>	<p>1-3, 7-9, 14, 16, 17, 20, 21, 23, 26, 28</p>

INTERNATIONAL SEARCH REPORT

Information on patent family members

International application No

PCT/GB2007/050504

Patent document cited in search report	.	Publication date	Patent family member(s)	Publication date
US 3857209	A	31-12-1974	AU 7400574	A 08-04-1976
			BR 7409044	A 04-11-1975
			CA 1018036	A1 27-09-1977
			DE 2449826	A1 07-05-1975
			FR 2250002	A1 30-05-1975
			IT 1021815	B 20-02-1978
			JP 50079118	A 27-06-1975
<hr/>				
US 6438900	B1	27-08-2002	NONE	
<hr/>				
WO 0236904	A	10-05-2002	AU 3200001	A 15-05-2002
			CA 2426370	A1 10-05-2002
			EP 1360389	A1 12-11-2003
			GB 2370610	A 03-07-2002
			JP 2004513321	T 30-04-2004
			US 2004074530	A1 22-04-2004
			ZA 200303377	A 10-03-2004
<hr/>				
EP 0118343	A	12-09-1984	DE 118343	T1 20-12-1984
			FR 2542025	A1 07-09-1984
			US 4567696	A 04-02-1986
<hr/>				