

(19) World Intellectual Property Organization
International Bureau



(43) International Publication Date
3 March 2005 (03.03.2005)

PCT

(10) International Publication Number
WO 2005/020004 A3

(51) International Patent Classification⁷: G09F 9/33

(21) International Application Number:
PCT/US2004/026237

(22) International Filing Date: 10 August 2004 (10.08.2004)

(25) Filing Language: English

(26) Publication Language: English

(30) Priority Data:
60/496,323 19 August 2003 (19.08.2003) US
10/810,300 26 March 2004 (26.03.2004) US

(71) Applicant and

(72) Inventor: SHIVJI, Shiraz, M. [US/US]; 13055 Via Escuela Ct., Saratoga, CA 95070 (US).

(74) Agent: HEIMLICH, Alan; 5952 Dial Way, San Jose, CA 95129 (US).

(81) Designated States (unless otherwise indicated, for every kind of national protection available): AE, AG, AL, AM, AT, AU, AZ, BA, BB, BG, BR, BW, BY, BZ, CA, CH, CN, CO, CR, CU, CZ, DE, DK, DM, DZ, EC, EE, EG, ES, FI, GB, GD, GE, GH, GM, HR, HU, ID, IL, IN, IS, JP, KE,

KG, KP, KR, KZ, LC, LK, LR, LS, LT, LU, LV, MA, MD, MG, MK, MN, MW, MX, MZ, NA, NI, NO, NZ, OM, PG, PH, PL, PT, RO, RU, SC, SD, SE, SG, SK, SL, SY, TJ, TM, TN, TR, TT, TZ, UA, UG, US, UZ, VC, VN, YU, ZA, ZM, ZW.

(84) Designated States (unless otherwise indicated, for every kind of regional protection available): ARIPO (BW, GH, GM, KE, LS, MW, MZ, NA, SD, SL, SZ, TZ, UG, ZM, ZW), Eurasian (AM, AZ, BY, KG, KZ, MD, RU, TJ, TM), European (AT, BE, BG, CH, CY, CZ, DE, DK, EE, ES, FI, FR, GB, GR, HU, IE, IT, LU, MC, NL, PL, PT, RO, SE, SI, SK, TR), OAPI (BF, BJ, CF, CG, CI, CM, GA, GN, GQ, GW, ML, MR, NE, SN, TD, TG).

Declarations under Rule 4.17:

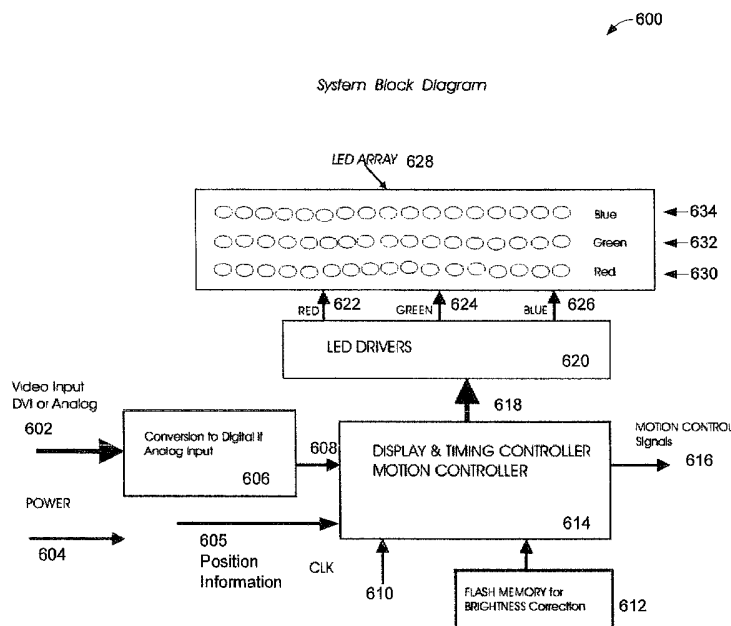
- as to applicant's entitlement to apply for and be granted a patent (Rule 4.17(ii)) for all designations
- as to the applicant's entitlement to claim the priority of the earlier application (Rule 4.17(iii)) for all designations
- of inventorship (Rule 4.17(iv)) for US only

Published:

- with international search report

[Continued on next page]

(54) Title: METHOD AND APPARATUS FOR LIGHT EMITTING DEVICES BASED DISPLAY



(57) Abstract: A method and apparatus for a light emitting devices based display have been disclosed. An array of LEDs are positioned in a primary position and moved to a specified position. An input display signal is received after determining whether the LEDs are in a specified. The LEDs are energized by the input display signal. The process of moving the array of LEDs is repeated if the LEDs are not in end position.

WO 2005/020004 A3



— *before the expiration of the time limit for amending the claims and to be republished in the event of receipt of amendments*

For two-letter codes and other abbreviations, refer to the "Guidance Notes on Codes and Abbreviations" appearing at the beginning of each regular issue of the PCT Gazette.

(88) Date of publication of the international search report:
25 August 2005

INTERNATIONAL SEARCH REPORT

Int	l Application No
PCT/US2004/026237	

A. CLASSIFICATION OF SUBJECT MATTER IPC 7 G09F9/33		
According to International Patent Classification (IPC) or to both national classification and IPC		
B. FIELDS SEARCHED		
Minimum documentation searched (classification system followed by classification symbols) IPC 7 G09F		
Documentation searched other than minimum documentation to the extent that such documents are included in the fields searched		
Electronic data base consulted during the international search (name of data base and, where practical, search terms used) EPO-Internal, WPI Data		
C. DOCUMENTS CONSIDERED TO BE RELEVANT		
Category °	Citation of document, with indication, where appropriate, of the relevant passages	Relevant to claim No.
X	US 6 433 761 B1 (REMITZ HANS-JORG ET AL) 13 August 2002 (2002-08-13) column 1, line 58 - column 5, line 51; figures 1-5 -----	1-4, 6-8, 10-14, 24, 36-40
X	US 2002/005826 A1 (PEDERSON JOHN C) 17 January 2002 (2002-01-17) page 4, paragraph 64 - page 5, paragraph 101; figure 1 -----	1, 3-6, 16, 19, 20, 24, 30, 31, 36-40
A	US 4 978 952 A (IRWIN ET AL) 18 December 1990 (1990-12-18) column 4, line 20 - column 5, line 32; figure 2 -----	1-40

-/--		
<input checked="" type="checkbox"/> Further documents are listed in the continuation of box C.		
<input checked="" type="checkbox"/> Patent family members are listed in annex.		
° Special categories of cited documents :		
"A" document defining the general state of the art which is not considered to be of particular relevance	"T" later document published after the international filing date or priority date and not in conflict with the application but cited to understand the principle or theory underlying the invention	
"E" earlier document but published on or after the international filing date	"X" document of particular relevance; the claimed invention cannot be considered novel or cannot be considered to involve an inventive step when the document is taken alone	
"L" document which may throw doubts on priority claim(s) or which is cited to establish the publication date of another citation or other special reason (as specified)	"Y" document of particular relevance; the claimed invention cannot be considered to involve an inventive step when the document is combined with one or more other such documents, such combination being obvious to a person skilled in the art.	
"O" document referring to an oral disclosure, use, exhibition or other means	"&" document member of the same patent family	
"P" document published prior to the international filing date but later than the priority date claimed		
Date of the actual completion of the international search 13 June 2005	Date of mailing of the international search report 20/06/2005	
Name and mailing address of the ISA European Patent Office, P.B. 5818 Patentlaan 2 NL - 2280 HV Rijswijk Tel. (+31-70) 340-2040, Tx. 31 651 epo nl, Fax: (+31-70) 340-3016	Authorized officer Pavlov, V	

INTERNATIONAL SEARCH REPORT

Int. Application No
PCT/US2004/026237

C.(Continuation) DOCUMENTS CONSIDERED TO BE RELEVANT		
Category °	Citation of document, with indication, where appropriate, of the relevant passages	Relevant to claim No.
A	EP 0 982 676 A (HEWLETT-PACKARD COMPANY) 1 March 2000 (2000-03-01) the whole document -----	1-40

INTERNATIONAL SEARCH REPORT

Int application No
PCT/US2004/026237

Patent document cited in search report	Publication date	Patent family member(s)	Publication date
US 6433761	B1	21-02-2002	DE 19630011 A1 29-01-1998
			DE 29619984 U1 04-12-1997
			DE 29624417 U1 30-04-2003
			DE 59703514 D1 13-06-2001
			WO 9805023 A1 05-02-1998
			EP 0912971 A1 06-05-1999
			JP 2000515990 T 28-11-2000
			US 2002021262 A1 21-02-2002
US 2002005826	A1	17-01-2002	WO 0188890 A2 22-11-2001
			WO 0241276 A2 23-05-2002
			US 2002105432 A1 08-08-2002
US 4978952	A	18-12-1990	AU 5182690 A 26-09-1990
			WO 9010357 A1 07-09-1990
EP 0982676	A	01-03-2000	US 6266048 B1 24-07-2001
			CN 1246743 A 08-03-2000
			EP 0982676 A1 01-03-2000
			JP 2000089899 A 31-03-2000