



US00D428690S

**United States Patent** [19]

[11] **Patent Number: Des. 428,690**

**Yu**

[45] **Date of Patent: \*\* Aug. 1, 2000**

[54] **CLAMPER**

2,223,794 12/1940 Pierce et al. .... 36/59 R  
5,964,048 10/1999 Shieh ..... 36/134

[76] Inventor: **Yi-Ting Yu**, No. 111, Ta-Ping Rd.,  
Heng-Chun Town, Ping-Tung Hsien,  
Taiwan

**OTHER PUBLICATIONS**

Nike Holiday Catalog, p. W149, Genuine Replacement  
Parts, Spikes along bottom of page, Dec. 1999.

[\*\*] Term: **14 Years**

*Primary Examiner*—Louis S. Zarfes  
*Assistant Examiner*—Greg Andoll  
*Attorney, Agent, or Firm*—Pro-Techtor International  
Services

[21] Appl. No.: **29/112,737**

[22] Filed: **Oct. 21, 1999**

[51] **LOC (7) Cl.** ..... **02-04**

[57] **CLAIM**

[52] **U.S. Cl.** ..... **D2/962**

The ornamental design for a clamper, as shown and  
described.

[58] **Field of Search** ..... D2/962, 906; 36/126-130,  
36/67 A, 67 B, 67 C, 67 D, 59 R, 134,  
59 C

**DESCRIPTION**

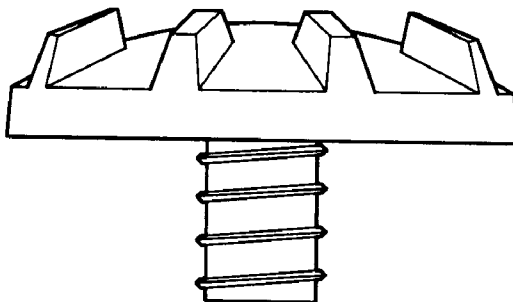
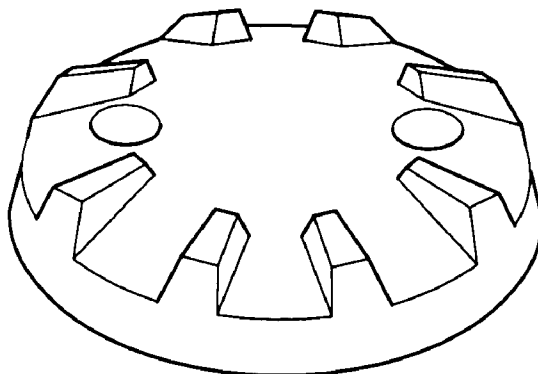
[56] **References Cited**

FIG. 1 is a perspective view of clamper showing my design;  
FIG. 2 is a front elevational view thereof, the rear elevational  
view being a mirror image thereof;  
FIG. 3 is a top plan view thereof; and,  
FIG. 4 is a bottom plan view thereof.

**U.S. PATENT DOCUMENTS**

D. 378,013	2/1997	McMullin	.....	D2/962
D. 392,451	3/1998	Collins et al.	.....	D2/962
D. 405,945	2/1999	Kan	.....	D2/962
D. 412,240	7/1999	Todd	.....	D2/962

**1 Claim, 2 Drawing Sheets**



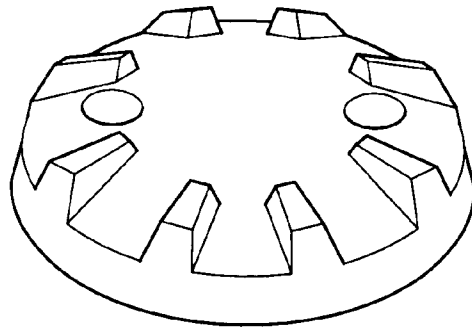


Fig. 1

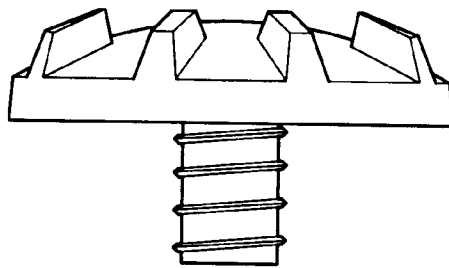


Fig. 2

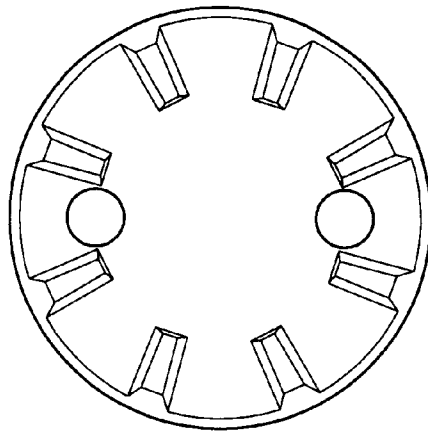


Fig. 3

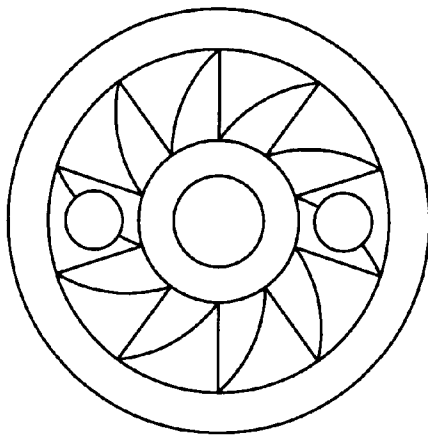


Fig. 4