



US00D848050S

(12) **United States Design Patent**
Hinze

(10) **Patent No.:** **US D848,050 S**

(45) **Date of Patent:** **** May 7, 2019**

- (54) **LIGHTING FIXTURE**
- (71) Applicant: **TERZANI S.r.l.**, Scandicci (FI) (IT)
- (72) Inventor: **Franziska Hinze**, Miami, FL (US)
- (73) Assignee: **TERZANI S.R.L.**, Scandicci (FI) (IT)
- (**) Term: **15 Years**
- (21) Appl. No.: **29/642,011**
- (22) Filed: **Mar. 27, 2018**

5,205,644	A *	4/1993	Bayer	F21S 8/065	362/277
5,241,460	A *	8/1993	Schonbek	F21V 5/06	362/339
5,667,736	A *	9/1997	Chien	F21S 8/035	264/137
D400,283	S *	10/1998	Lawrence	D26/86	
D673,320	S *	12/2012	Guercio	D26/89	
2009/0034270	A1 *	2/2009	Schneider	F21V 1/22	362/341
2012/0257388	A1 *	10/2012	Bracher	F21S 8/061	362/249.01
2013/0182415	A1 *	7/2013	Yando	F21S 8/065	362/122

(30) **Foreign Application Priority Data**

Nov. 16, 2017 (EM) 004509511-0002

(51) **LOC (11) Cl.** **26-03**

(52) **U.S. Cl.**
USPC **D26/88; D26/90**

(58) **Field of Classification Search**
USPC D26/81-92, 118
CPC F21S 8/06; F21S 8/061; F21S 8/063; F21S
8/065; F21V 5/06
See application file for complete search history.

(56) **References Cited**

U.S. PATENT DOCUMENTS

1,623,030	A *	3/1927	Bloch	F21V 1/00	362/339
D78,956	S *	7/1929	Zweig	D26/86	
2,979,604	A *	4/1961	Rosenblatt	F21V 17/00	362/307
3,530,289	A *	9/1970	Friedman	F21V 5/06	362/332
D218,985	S *	10/1970	Anderson, Jr.	D26/67	
3,736,418	A *	5/1973	Havlova	F21S 8/04	362/360
5,144,541	A *	9/1992	Schonbek	F21V 5/06	362/332
5,181,777	A *	1/1993	Segill	F21S 8/065	362/405

OTHER PUBLICATIONS

Kika LED Pendant by Terzani. Found at ylighting.com, visited Jan. 18, 2019. (Year: 2019).*

* cited by examiner

Primary Examiner — Clare E Heflin
(74) *Attorney, Agent, or Firm* — Lucas & Mercanti, LLP

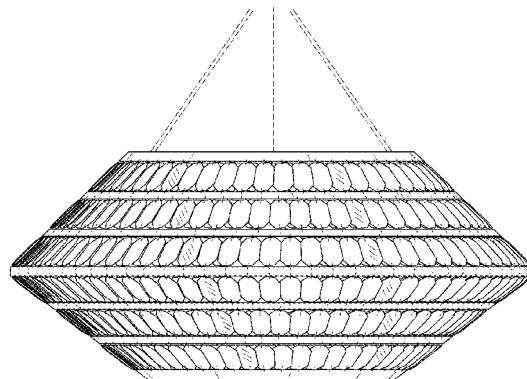
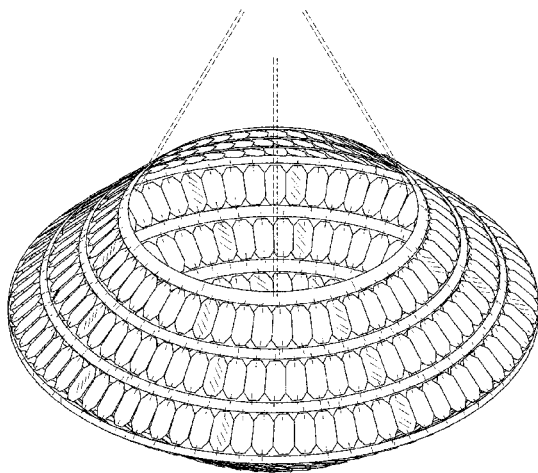
(57) **CLAIM**

The ornamental design for a lighting fixture, as shown and described.

DESCRIPTION

FIG. 1 is a top, front perspective view of the design; FIG. 2 is a bottom, rear perspective view thereof; FIG. 3 is a top plan view thereof; FIG. 4 is a bottom plan view thereof; FIG. 5 is a front elevation view thereof; FIG. 6 is a rear elevation view thereof; FIG. 7 is a right side elevation view thereof; and, FIG. 8 is a left side elevation view thereof. The broken lines on top of the lighting fixture are included for environmental purposes only and form no part of the claimed design.

1 Claim, 8 Drawing Sheets



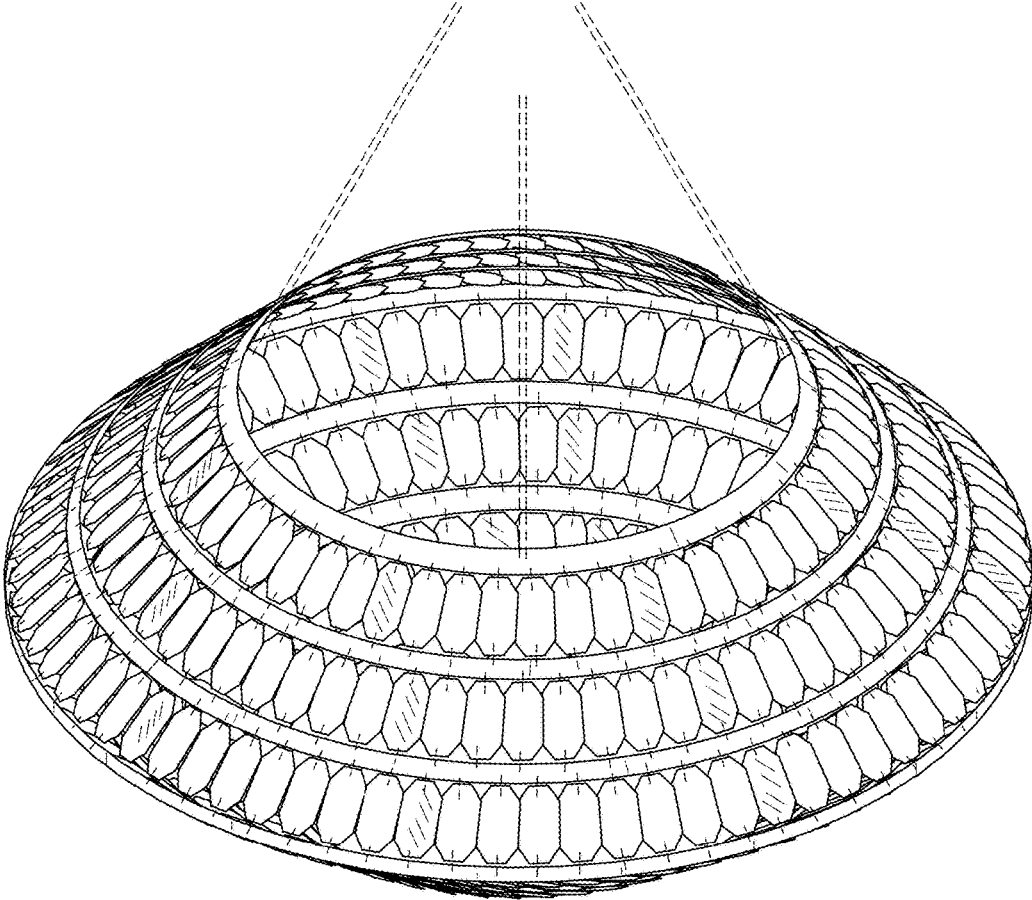


FIG. 1

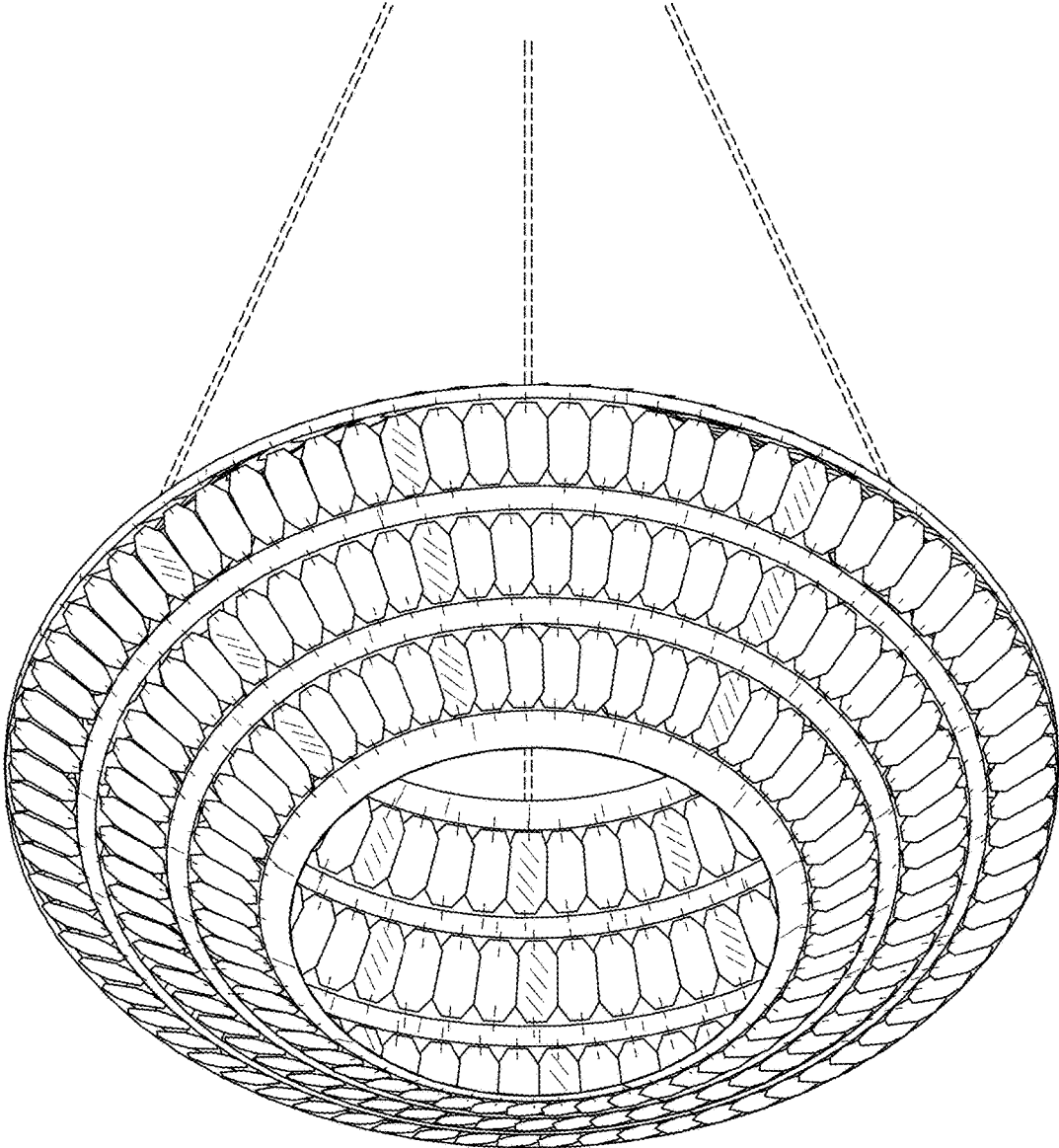


FIG. 2

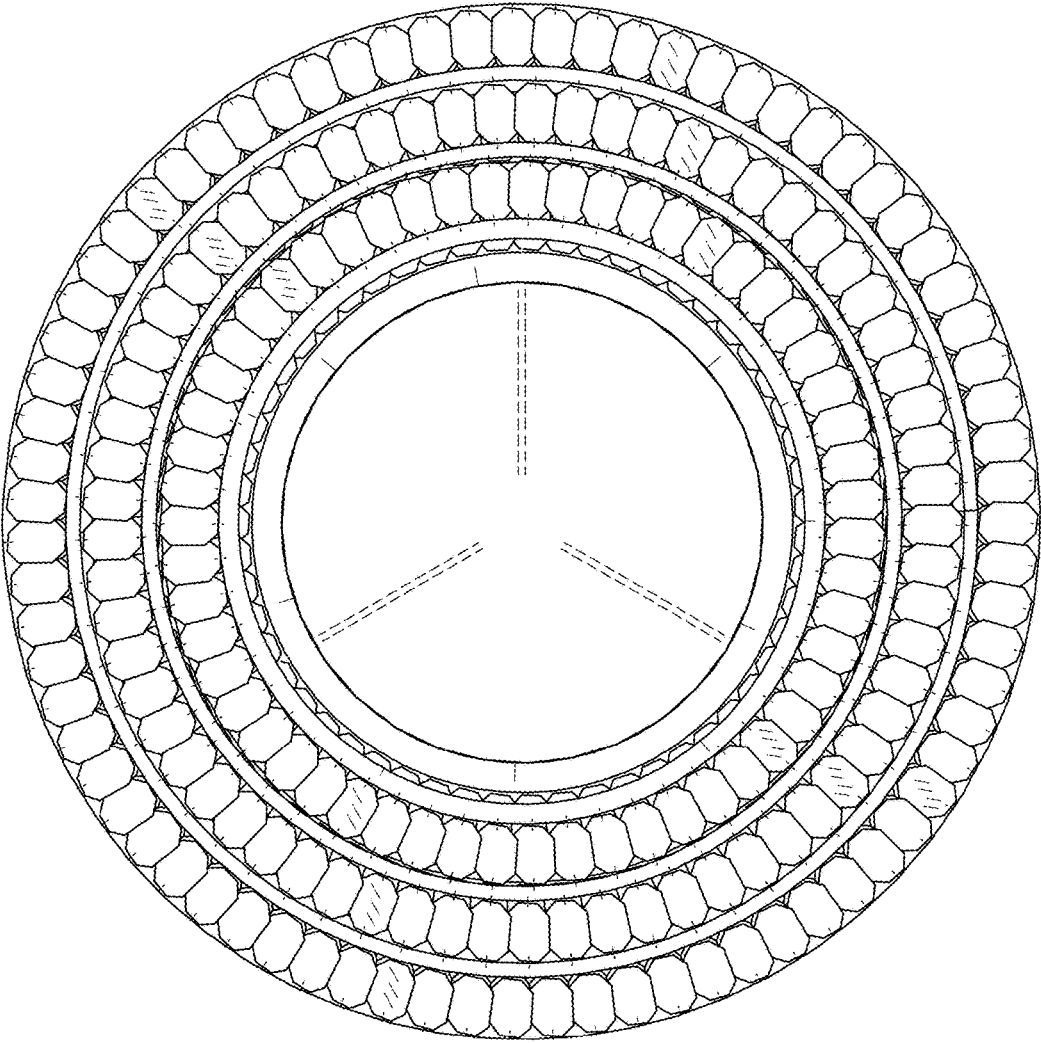


FIG. 3

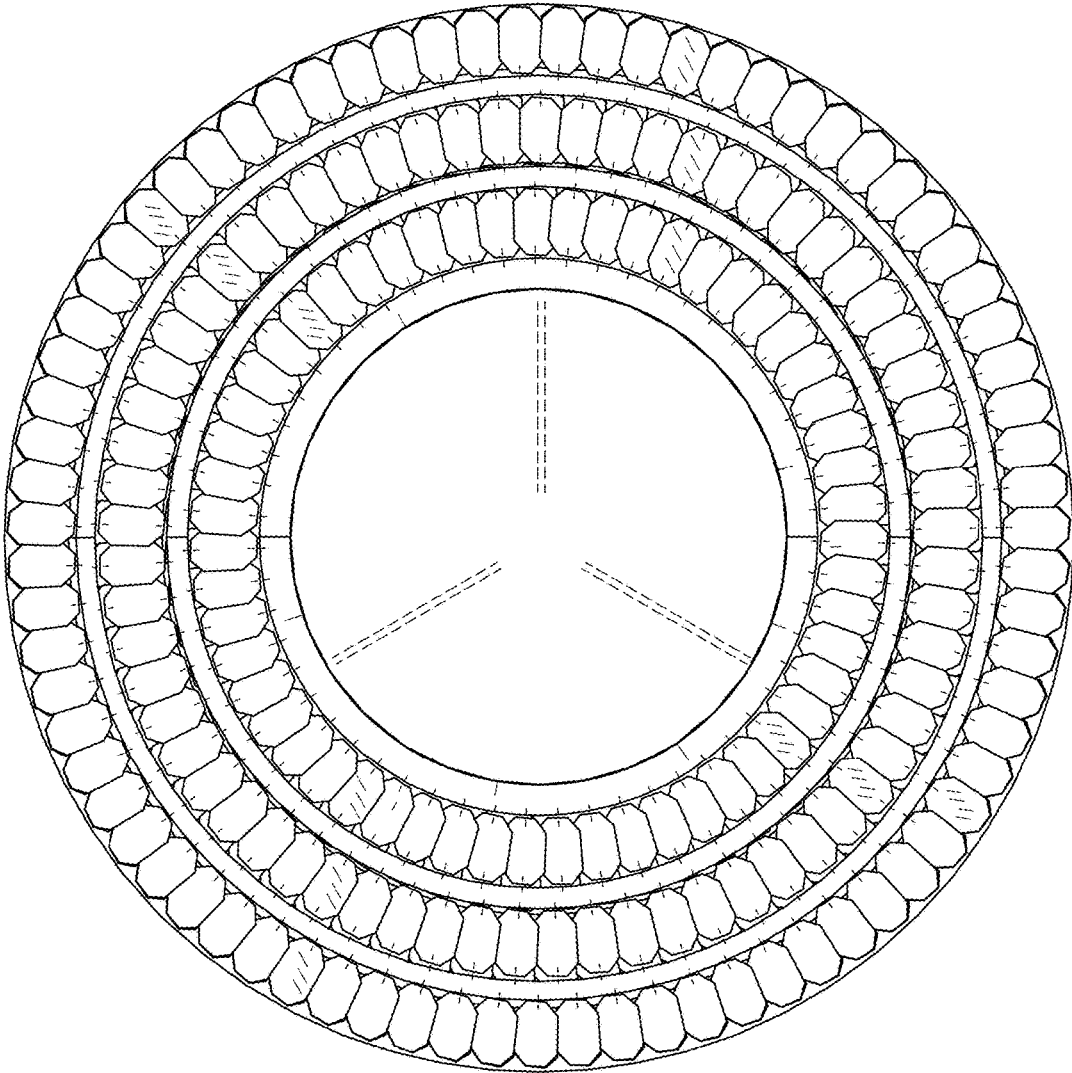


FIG. 4

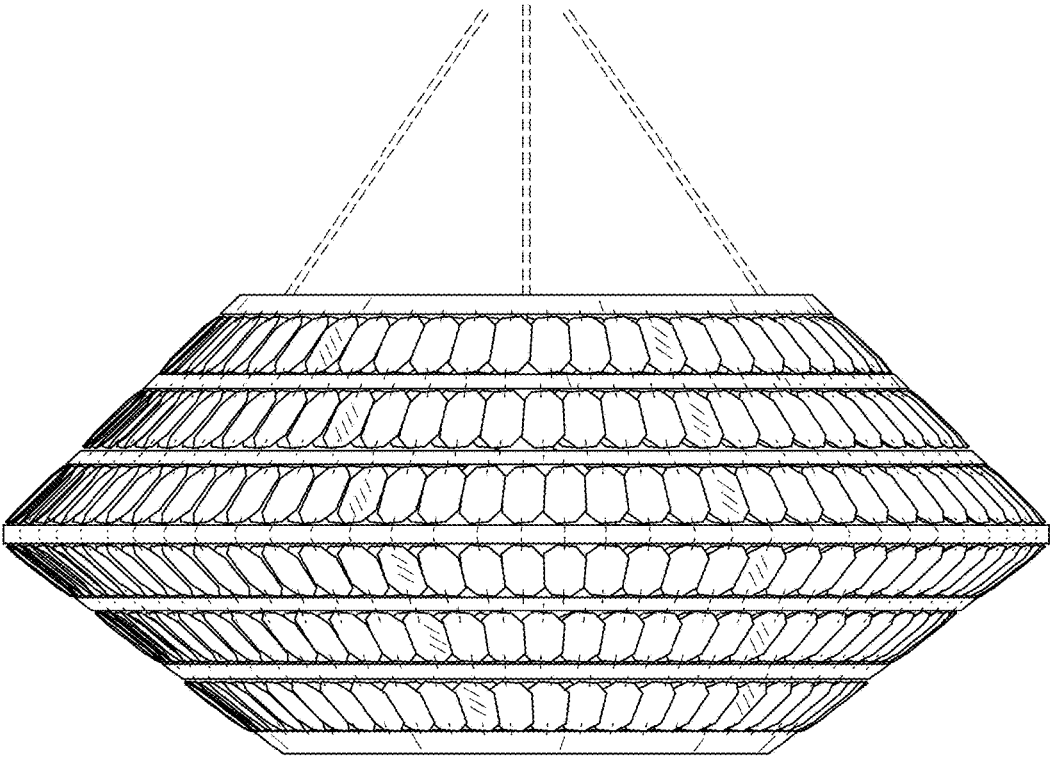


FIG. 5

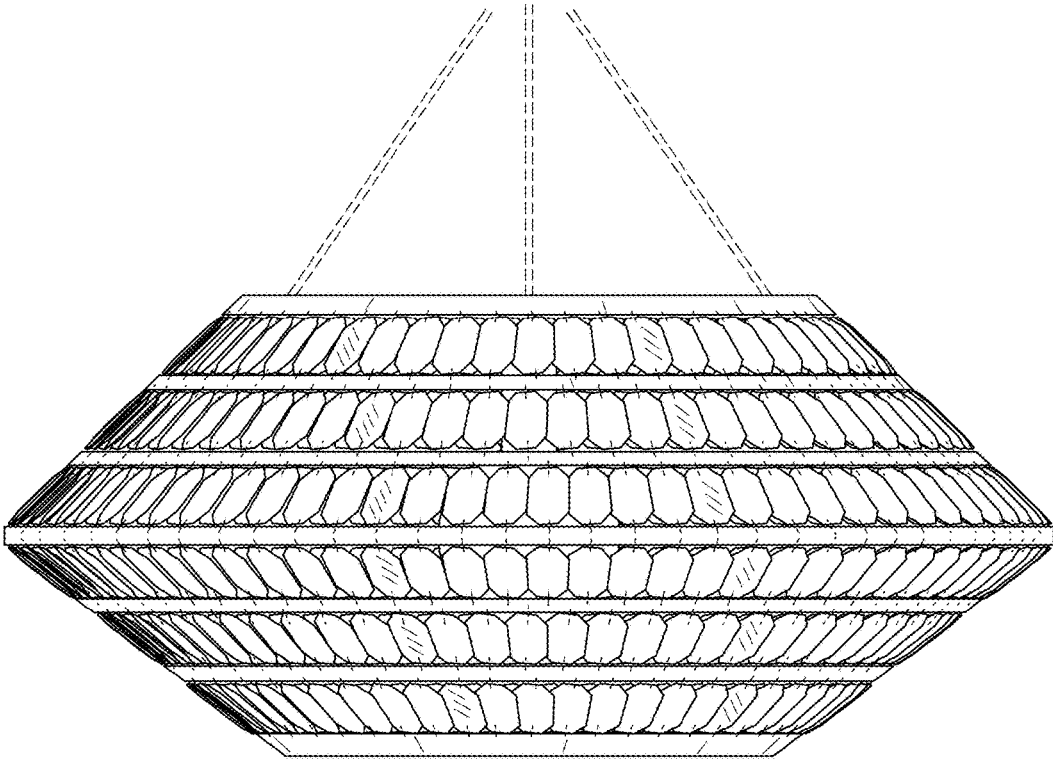


FIG. 6

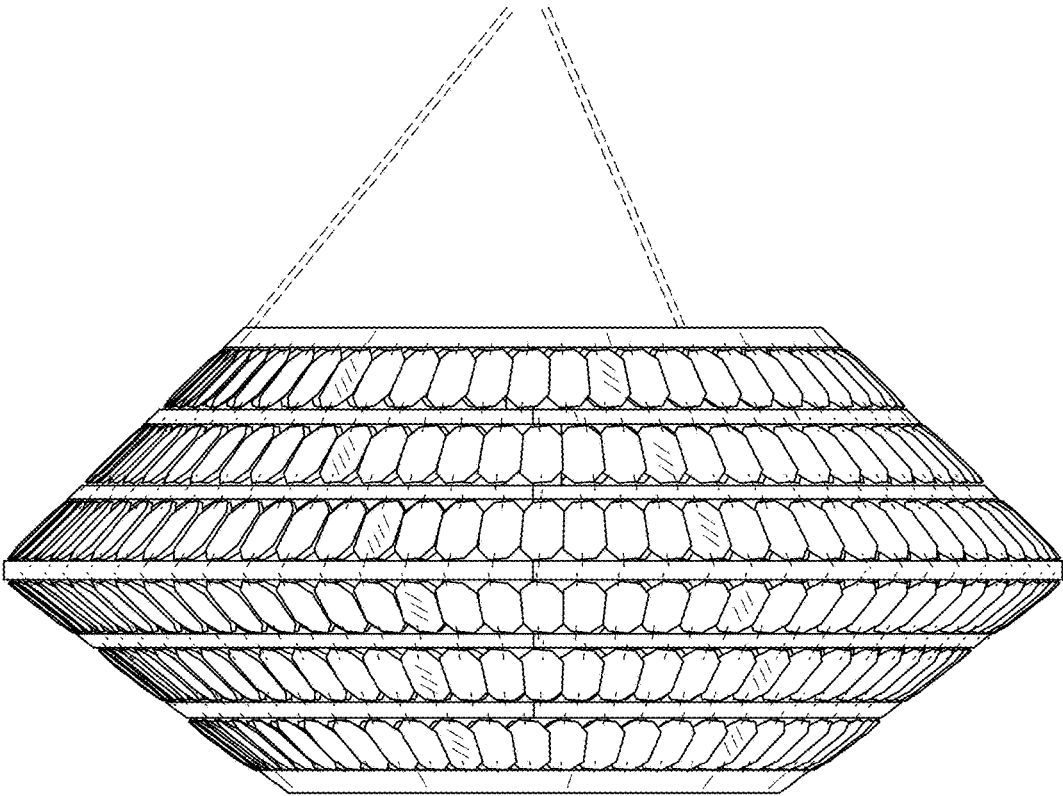


FIG. 7

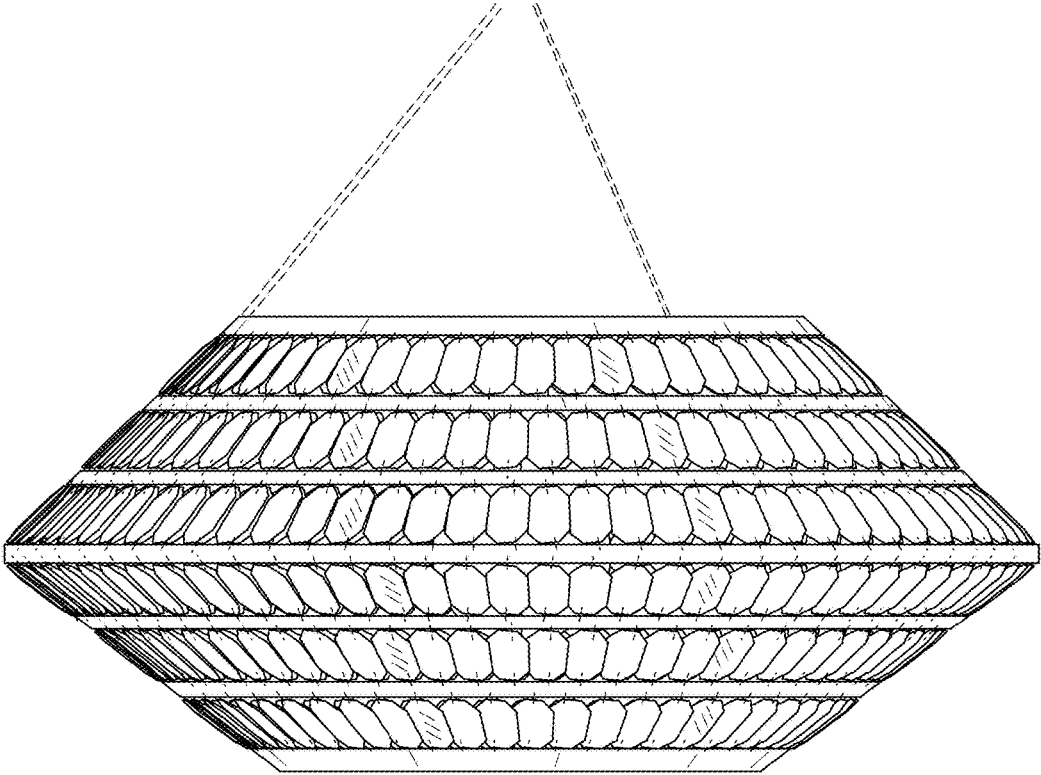


FIG. 8