



US00D613682S

(12) **United States Design Patent**
Droste

(10) **Patent No.:** **US D613,682 S**

(45) **Date of Patent:** **** Apr. 13, 2010**

(54) **HOOK-UP STATION WITH INSULATING JACKET FOR SOLAR-POWER SYSTEM**

(75) Inventor: **Thomas Droste**, Bestwig (DE)

(73) Assignee: **F.W. Oventrop GmbH & Co. KG**, Olsberg (DE)

(**) Term: **14 Years**

(21) Appl. No.: **29/269,882**

(22) Filed: **Dec. 8, 2006**

(30) **Foreign Application Priority Data**

Jun. 9, 2006 (DE) 4 06 03 142

(51) **LOC (9) Cl.** **13-02**

(52) **U.S. Cl.** **D13/102**

(58) **Field of Classification Search** D13/102, D13/101, 184, 199; D10/22, 99, 102, 122, D10/126; D23/314, 319; 122/13.01, 510, 122/511; 126/569, 626, 634, 635, 646; 237/1 SL, 237/59, 62, 63; 356/400, 401; D9/422, 426; 220/4.21, 4.24; 206/216, 223, 701, 723
See application file for complete search history.

(56) **References Cited**

U.S. PATENT DOCUMENTS

2,349,145 A * 5/1944 Darnell 251/283
D201,255 S * 6/1965 Czapar et al. D10/102

3,441,740 A * 4/1969 Decloux et al. 250/231.11
D261,279 S * 10/1981 Barrett D19/62
D277,286 S * 1/1985 Schnatzmeyer D15/21
D353,576 S * 12/1994 Berlin D13/139.1
D507,528 S * 7/2005 Feldman et al. D13/110
D517,006 S * 3/2006 Bessmertny D13/102

* cited by examiner

Primary Examiner—Prabhakar Deshmukh

Assistant Examiner—Derrick Holland

(74) *Attorney, Agent, or Firm*—Andrew Wilford

(57) **CLAIM**

The ornamental design for a hook-up station with insulating jacket for solar-power system, as shown.

DESCRIPTION

FIG. 1 is a perspective view of a hook-up station with insulating jacket for solar-power system showing my new design;

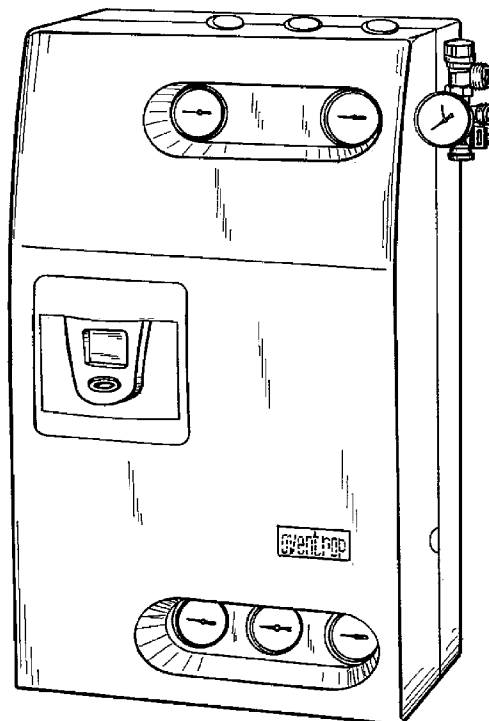
FIG. 2 is a perspective view thereof, in a separated condition with the hook-up station removed for ease of illustration;

FIG. 3 is a right side elevation view of FIG. 1; and,

FIG. 4 is a perspective view of the hook-up station of FIG. 1 separated from the insulating jacket for ease of illustration.

The broken lines shown represent unclaimed subject matter and form no part of the claimed design.

1 Claim, 4 Drawing Sheets



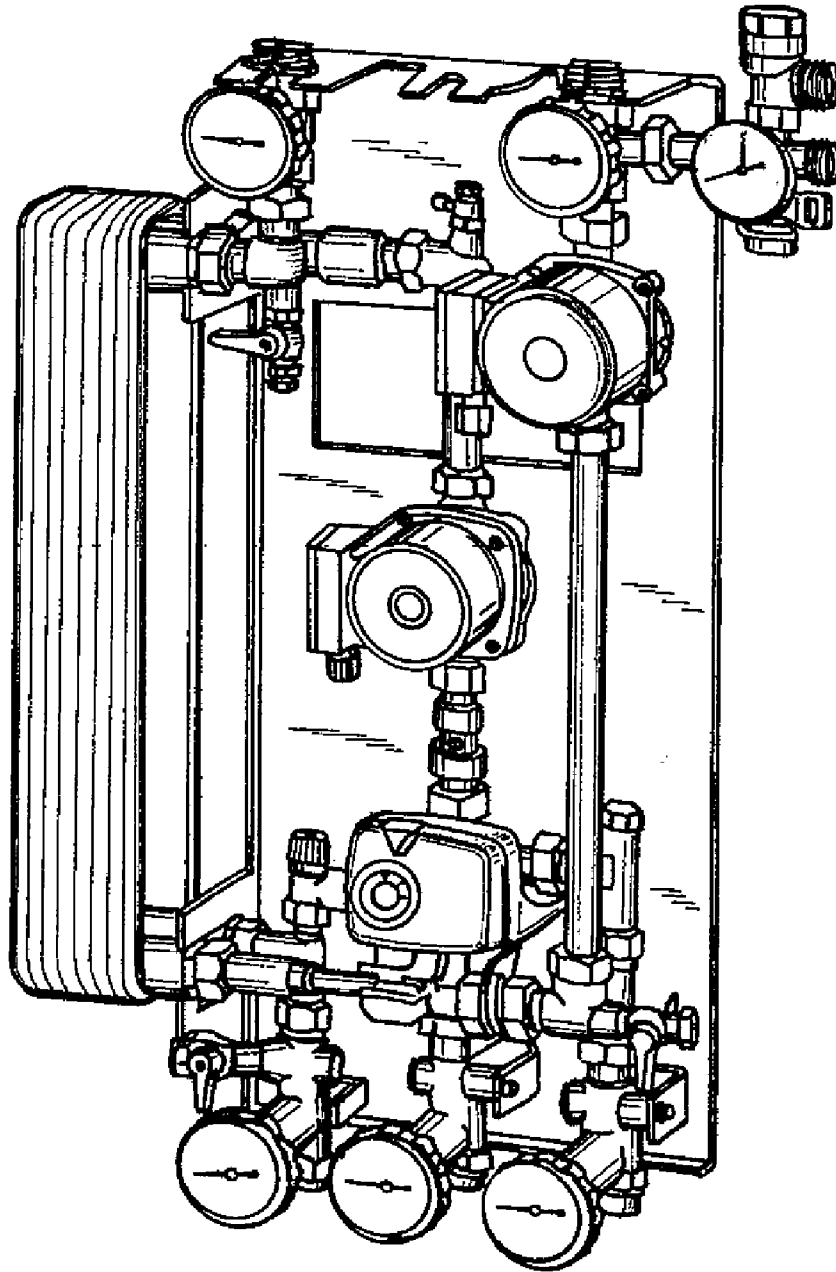


FIG.1

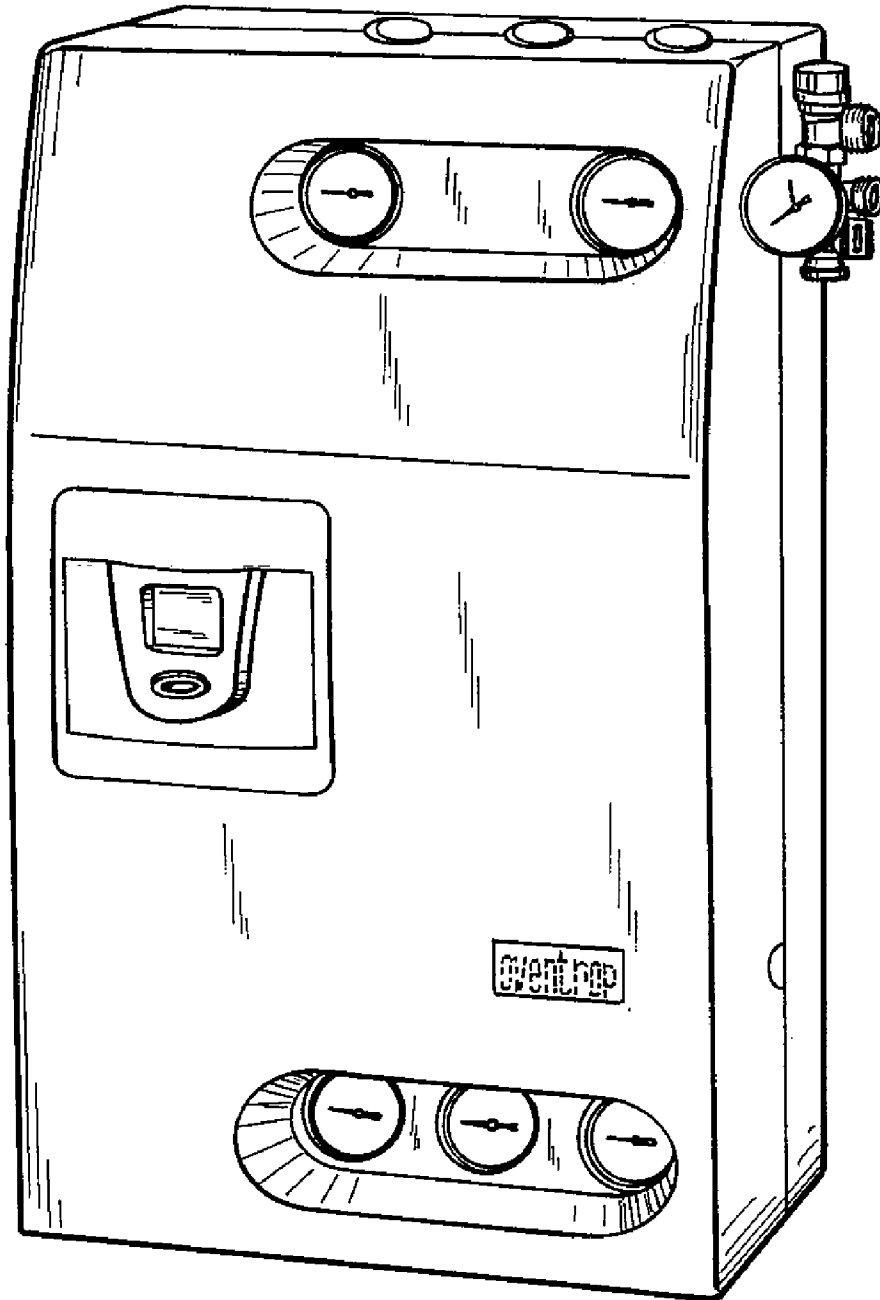


FIG. 2

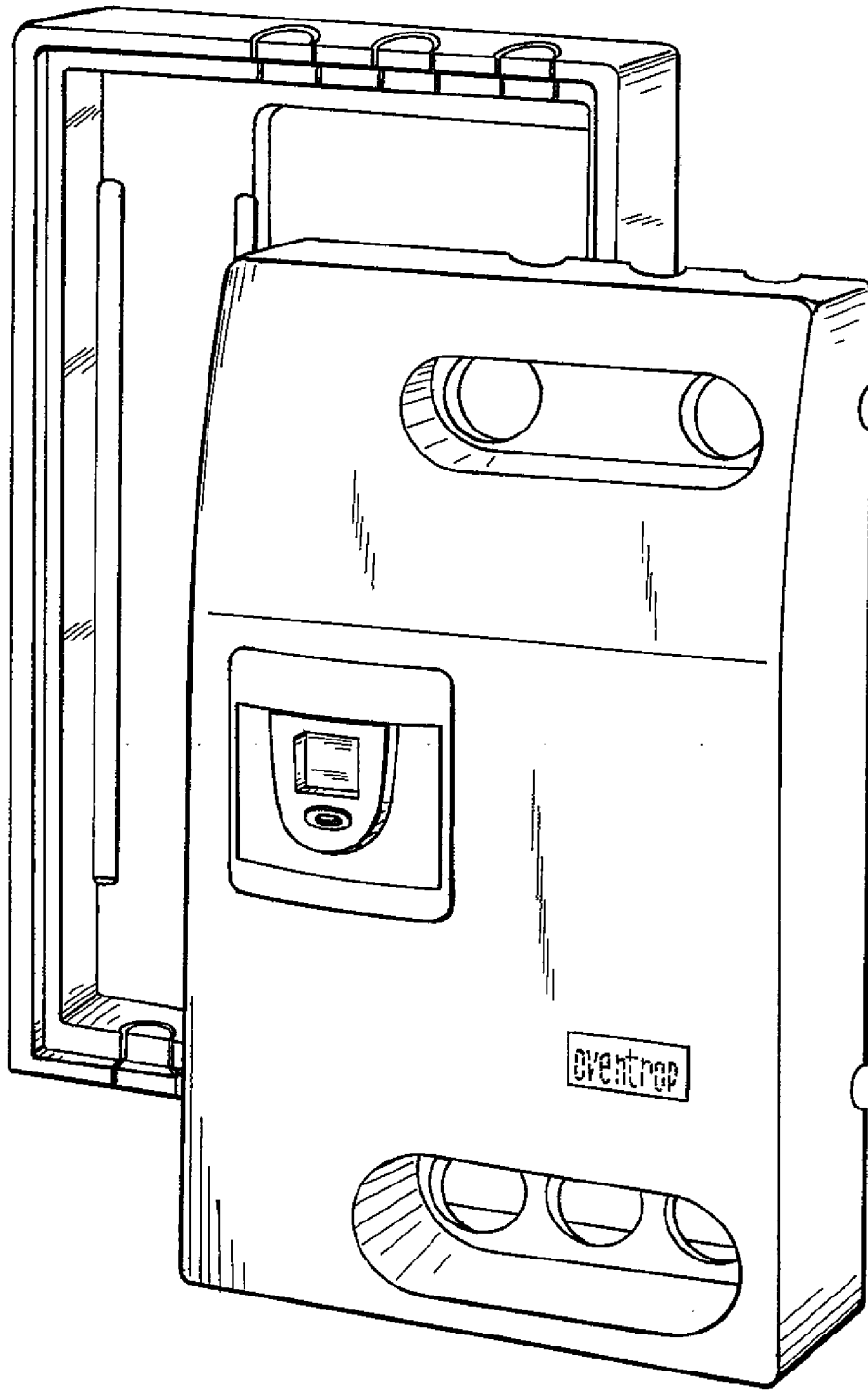


FIG. 3

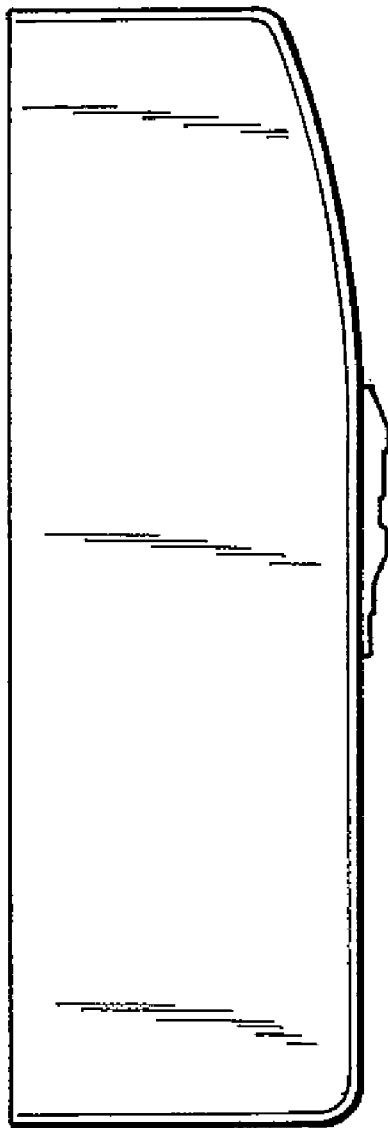


FIG.4