

(19) **DANMARK**

(10) **DK/EP 3354955 T3**



(12) **Oversættelse af
europæisk patentskrift**

Patent- og
Varemærkestyrelsen

-
- (51) Int.Cl.: **F 16 L 47/03 (2006.01)** **B 29 C 65/00 (2006.01)** **F 16 L 37/098 (2006.01)**
F 16 L 47/12 (2006.01)
- (45) Oversættelsen bekendtgjort den: **2023-06-06**
- (80) Dato for Den Europæiske Patentmyndigheds bekendtgørelse om meddelelse af patentet: **2023-03-22**
- (86) Europæisk ansøgning nr.: **18151276.5**
- (86) Europæisk indleveringsdag: **2018-01-11**
- (87) Den europæiske ansøgnings publiceringsdag: **2018-08-01**
- (30) Prioritet: **2017-01-30 US 201762452011 P**
- (84) Designerede stater: **AL AT BE BG CH CY CZ DE DK EE ES FI FR GB GR HR HU IE IS IT LI LT LU LV MC MK MT NL NO PL PT RO RS SE SI SK SM TR**
- (73) Patenthaver: **Georg Fischer Harvel LLC, 300 Kuebler Road, Easton, Pennsylvania 18040, USA**
- (72) Opfinder: **Peters, Nicholas Bryant, 1124 Meadows Drive, Benton, AR 72019, USA**
Sixsmith, Thomas G., 21812 Bass Lake Circle, Lake Forest, CA 92630, USA
- (74) Fuldmægtig i Danmark: **Denmeyer & Associates S.A, P.O. Box 700425, DE-81304 Munich, Tyskland**
- (54) Benævnelse: **RØRKOBLING OG KOBLINGSFREM GANGSMÅDE**
- (56) Fremdragne publikationer:
DE-A1-102016 109 589
GB-A- 2 251 046
US-A1- 2010 320 745
US-A1- 2015 008 662
US-B1- 6 680 464

DESCRIPTION

BACKGROUND

[0001] The invention relates to pipe joining. More particularly, the invention relates to pipe joining by electrofusion.

[0002] A well-developed field exists in polymeric piping systems. Perhaps the most well-known thermoplastic material for pipes and pipe fittings is polyvinyl chloride (PVC). PVC pipes and fittings are typically joined to each other via the use of a solvent cement to form joints characterized by solvent weld/bonds. Other solvent-weldable materials include chlorinated polyvinyl chloride (CPVC) and acrylonitrile butadiene styrene (ABS).

[0003] It may be less practical to solvent weld other thermoplastics such as polyethylene (PE, including high density polyethylene (HDPE) and low density polyethylene (LDPE)), polypropylene (PP), polystyrene (PS), and polybutylene (PB). Thermal welding provided via electrofusion is an alternative to solvent welding. United Kingdom Patent Application GB2260381A and US Patent Application Publication US2006/0016552A1 disclose systems wherein resistive heating elements are at least partially embedded in fittings. A pipe may be inserted into the fitting so as to be encircled by the heating element.

[0004] US Patent 3506519 discloses a collar/fitting assembly comprising a plastic fitting, an electrofusion collar (i.e., containing the heating element), and a clamp. Additionally, such collars are available from Georg Fischer Harvel LLC, Little Rock, Arkansas and Easton, Pennsylvania, US (e.g., under the trademark Fuseal II). Several of the Fuseal II collars include an inner wall containing the heating element and a radially spaced-apart segmented outer wall for engaging the clamp. The electrofusion collar is inserted into the fitting socket and, in turn receives the end of a pipe (or a male fitting spigot). The clamp is tightened around the fitting (or collar outer wall) to radially compress the fitting and collar to the pipe to insure no air enters the welding zone.

[0005] The heating element may be energized by an electric power source to heat the fitting and the pipe sufficiently to weld the two together. Exemplary power sources are found in US Patent 5911895 and are available from Georg Fischer Harvel LLC, Little Rock, Arkansas and Easton, Pennsylvania, US (e.g., as the MSA family of electrofusion units).

[0006] US Patent Application Publication US2015/008662A1 ("the '662 publication"), published January 8, 2015 and entitled "Electrofusion Fittings and Methods" discloses an improvement on the Fuseal II fitting. This is available from Georg Fischer Harvel LLC, Little Rock, Arkansas and Easton, Pennsylvania, US (e.g., under the trademark Fuseal).

[0007] Alternative couplings for pipes are disclosed in DE 10 2016 109 589 A1 and GB 2 251

046 A but for another technical area.

SUMMARY

[0008] The invention relates to a pipe coupler according to claim 1.

[0009] In one or more embodiments of any of the foregoing embodiments, the inner diameter surface has surface enhancements.

[0010] In one or more embodiments of any of the foregoing embodiments, the surface enhancements comprise circumferential ridges.

[0011] The pipe coupler is a unitary single-piece plastic molding.

[0012] In one or more embodiments of any of the foregoing embodiments, the plastic is glass-filled.

[0013] In one or more embodiments of any of the foregoing embodiments, the plastic is polyphenylene sulfide.

[0014] The body portion is a full annulus.

[0015] In one or more embodiments of any of the foregoing embodiments, the inward radial projections extend radially inward and axially back toward the body portion.

[0016] In one or more embodiments of any of the foregoing embodiments, a kit comprises the pipe coupler and further comprises: a band clamp dimensioned to encircle and compress the collar; and an annular gasket.

[0017] In one or more embodiments of any of the foregoing embodiments, the gasket comprises the unitarily molded combination of: a sleeve; and a protuberant ring at an end of the sleeve.

[0018] The invention also relates to a method according to claim 9.

[0019] In one or more embodiments of any of the foregoing embodiments, the method further comprises applying a gasket to the pipe.

[0020] The axial translation compresses a gasket between a rim of the fitting end portion and the body portion.

[0021] In one or more embodiments of any of the foregoing embodiments, the method further comprises releasing an external force providing the translating so as to leave: the gasket

compressed between the rim of the fitting end portion and the body portion; and the fingers under axial tension.

[0022] In one or more embodiments of any of the foregoing embodiments, a pipe joint comprises the pipe coupler and further comprises: a pipe; a clamp holding the collar portion to the pipe; and a fitting having an end portion receiving an end portion of the pipe and having a backlocked engagement with the finger projections.

[0023] In one or more embodiments of any of the foregoing embodiments, the pipe joint further comprises a gasket compressed between the fitting, the pipe coupler, and the pipe.

[0024] In one or more embodiments of any of the foregoing embodiments, the fingers are under axial tension.

[0025] The details of one or more embodiments are set forth in the accompanying drawings and the description below. Other features, objects, and advantages will be apparent from the description and drawings, and from the claims.

BRIEF DESCRIPTION OF THE DRAWINGS

[0026]

FIG. 1 is an exploded view of a pipe assembly including a first joint.

FIG. 2 is a top view of the pipe assembly.

FIG. 3 is a central vertical/longitudinal sectional view of the pipe assembly taken along line 3-3 of FIG. 2 and further having a second joint.

FIG. 3A is an enlarged view of the first joint.

FIG. 3B is an enlarged view of a second joint.

FIG. 4 is a first view of a coupler of the first joint.

FIG. 5 is a second view of the coupler.

FIG. 6 is a side view of the coupler.

FIG. 7 is a first end view of the coupler.

FIG. 8 is a second end view of the coupler.

FIG. 9 is a central longitudinal sectional view of the coupler taken along line 9-9 of FIG. 8.

FIG. 9A is an enlarged view of the coupler.

[0027] Like reference numbers and designations in the various drawings indicate like elements.

DETAILED DESCRIPTION

[0028] FIG. 1 shows an assembly of a fitting 20 receiving an end portion 122A of a pipe 120 and secured thereto via a coupler 30. More particularly, it shows one branch/end 22A of a fitting that may have several ends/branches/ends (e.g., a termination, an elbow (shown having a second end 22B), a straight coupler, an adapter, a T-fitting, a Y-fitting, and/or variations on any of these such as a valve body). Exemplary nominal pipe outer diameters are 1 inch to 8 inches (2.5 centimeters to 20 centimeters), more particularly 1½ inches to 6 inches (3.8 centimeters to 15 centimeters). An axis 500 may represent a central longitudinal axis of the fitting at the end 22A, the pipe, the coupler, and the gasket.

[0029] As is discussed below, the second end portion 122B of the pipe may be free, may be coupled to a similar end portion of a second fitting via a similar coupler, may be coupled to a differing end portion of a second fitting via differing means, or may be coupled to a similar end portion of a second fitting via differing means. In one group of examples of the last of these options, the fitting ends are configured to allow alternative use of the coupler 30 for a mechanical joint or an electrofusion collar (e.g., a collar 200 (FIG. 3) as disclosed in the '662 publication). The FIG. 3 collar 200 secures a portion of a second pipe 220. FIG. 3B shows a heating element (coil) 202 embedded in an inner wall 204 of the collar 200 and a band clamp 210 compressing an outer wall 206 of the collar against the fitting. Or, a given fitting may have only one type of joint but different identical fittings may have different types of joints.

[0030] The fitting ends 22A, 22B define coupling interfaces. As is discussed below, the exemplary configuration is based on the interface of a Fuseal or '662 publication fitting and facilitates alternative joining to a pipe alternatively via a Fuseal or '662 publication electrofusion collar or via the coupler 30. For that purpose, recessed from respective rims 24A, 24B, the ends 22A, 22B have exterior or outer diameter (OD) surface grooves or channels 26 for receiving corresponding inward radial projections of the '662 publication electrofusion collar.

[0031] As is discussed further below, the coupler 30 is part of a coupling system that also comprises a gasket 32 and a band clamp 34.

[0032] The pipe end portions 122A, 122B have respective rims 124A, 124B. The pipe also has an interior or inner diameter (ID) surface 126 (FIG. 3A) and an exterior or outer diameter (OD) surface 128. The fitting 20 further includes an ID surface 40 and an OD surface 42. At each end 22A, 22B, the exemplary ID surface has a pair of steps defining a pair of respective radial shoulder surfaces 44, 46. In the exemplary implementation, these correspond to surfaces in a Fuseal or '662 publication fitting with the surface 44 acting as a pipe stop abutting the rim 124A

or 124B when the pipe is installed and the surface 46 positioned to contact or nearly contact the electrofusion coil portion of the electrofusion collar. In the exemplary implementation, the pipe end portion also has an exterior bevel surface 130 for guiding insertion.

[0033] In the exemplary implementation, the gasket 32 comprises a sleeve portion 50 and a protuberance (ring) 52 at one end of the sleeve portion. The sleeve portion 50 is dimensioned to fill the space which otherwise would have been occupied by the coil portion of the Fuseal or '662 publication collar. The protuberance (e.g., which may have a relaxed cross-section of approximately circular form) functions for sealing as is discussed below. In the exemplary implementation, the gasket thus has an inner diameter (ID) surface 54 against the pipe OD surface 128 and an outer diameter (OD) surface 56 against the ID surface of the fitting along the end 22A. The sleeve end 58 axially opposite the protuberance may abut the shoulder surface 46.

[0034] In the exemplary implementation, in the installed condition, the coupler 30 holds the protuberance 52 in sealing compressive engagement with the rim 24A and the pipe OD surface 128 so as to maintain a seal between pipe and fitting. To maintain this engagement, the coupler 30 holds the protuberance in axial compression which, via deformation, becomes radial compression as well. To maintain this engagement, the coupler is rigidly held to the pipe against axial translation via the clamp 34 and to the fitting via an axially backlocked interfitting of respective surfaces 60 and 62 of the coupler and fitting. The axial backlocking prevents (or at least resists) axial extraction of the pipe from the fitting and maintains compression of the gasket protuberance 52.

[0035] The exemplary coupler 30 (FIG. 4) comprises a full annulus main body portion (main body) 70. A circumferentially segmented collar 72 axially projects from one end of the main body 70 as a plurality of segments 74 separated by respective gaps 76 (e.g., axial slots). The collar 72 and its segments extend to axial ends or rim portions 78 and have an interior or inner diameter (ID) surface 80 and an exterior or outer diameter (OD) surface 82. The exemplary inner diameter surface is formed with a series of inward annular projections 84 (FIG. 3A) and grooves 86. These provide surface enhancements to bite into and maintain axial engagement with the pipe OD surface 128 under compression from the clamp 34. Along the OD surface 82, the collar 72 may bear features for axially retaining or positioning the clamp 34 with the clamp band ID surface contacting the collar OD surface. The exemplary such features 85 (FIG. 4) axially space the clamp away from the main body 70 to ease the inward flexing of the segments by the clamp. If the clamp abutted the main body 70, it would likely be too difficult to flex root portions of the segments radially inward to provide required engagement with the pipe.

[0036] For engaging the fitting, the coupler 30 (FIG. 4) includes a plurality of fingers 90 protruding axially from the main body 70 opposite the collar 72. The fingers extend from proximal root portions 92 to distal ends 94. Near the distal ends 94, the fingers bear inward radial projections 96 (FIG. 9A). The exemplary inward radial projections 96 extend radially inward and axially back toward the main body 70 and have axial undersides forming, in

combination, the surface 60 (FIG. 3A). The radial inboard end portions of the projections 96 are received in a complementary recess or channel 100 (FIG. 1) of the fitting end. The channel 100 has a first sidewall forming the surface 62 (FIG. 3A). The exemplary channel 100 has a base 102 (FIG. 3A) which may contact a radially inboard end 98 of the installed projections.

[0037] In the exemplary embodiment, the surfaces 60 and 62 are angled such that an extractive force applied to the pipe and coupler produces a camming interaction between the surfaces 60 and 62 tending to drive the projections 96 radially inward into firmer engagement with the channel 100 (rather than an opposite orientation producing an outward camming allowing the release of the fingers).

[0038] In an exemplary sequence of operation, the coupler may first be slid onto the pipe beyond what will be on its ultimate intended position. The gasket may then be slid onto the pipe to its ultimate intended position. This ultimate intended position may be determined by measuring and marking the pipe or by registering some feature of the gasket with some feature of the pipe (e.g., the end 58 with an end of the bevel surface 130).

[0039] The coupler may then be slid back to contact the gasket in an ultimate axial relationship to the pipe. Thereupon, the band clamp may be applied (if not already loosely applied) to the collar portion and tightened to lock the coupler to the pipe. In the exemplary implementation, for precise axial registry of pipe and coupler, the components are dimensioned so that this ultimate relative position places the axial extreme of the finger distal ends 94 coplanar with the axial extreme of the rim 124A. Thus, for example, a flat plate, or other thing may be used to position the coupler prior to clamping by abutting the plate to the rim 124A and sliding the coupler to also abut the plate. Even a side of another length of pipe may be used for this purpose. Alternatively, one may just measure back from the rim of the pipe by the appropriate pre-determined distance, mark it, and locate the fitting assembly to that mark.

[0040] In an alternative implementation, the gasket 32 might be placed in the fitting end portion and not preassembled to the pipe.

[0041] In the exemplary implementation, after subassembly of the coupler 30 and gasket 32 to the pipe, the coupler and pipe may be slid into engagement with the fitting. To guide installation, the bevel surface 130 may contact an ID extreme of the rim 24A and a correspondingly inclined distal surface of the finger ends may engage an outboard portion of the rim 24A. The inclination of the distal ends 94 is oriented so that such engagement produces an outward camming interaction flexing the fingers radially outward and allowing the fingers to then pass along the fitting OD surface with further insertion of the pipe. Ultimately, the projections 96 pass into registry with an opening of the channel 100 and the fingers snap radially inward to unflex and seat the projections 96 in the channel 100. At this point, axial insertion force may be removed allowing the compressed protuberance 52 to partially relax and partially shift the pipe and coupler assembly back axially outward until the finger inward radial projection engagement with the channel resists further extraction placing the fingers under tension so as to leave the protuberance 52 under residual compression sufficient to

provide desired operational sealing of the joint.

[0042] Exemplary pipe and fitting materials are selected from the group consisting of polyvinylchloride (PVC), chlorinated polyvinylchloride (CPVC), acrylonitrile butadiene styrene (ABS), polyethylene (PE, including high density polyethylene (HDPE), low density polyethylene (LDPE), and linear low density polyethylene (LLDPE)), polypropylene (PP), polystyrene (PS), polybutylene (PB), polyamide (PA), and polyvinyl difluoride (PVDF). Exemplary couplers and clamps may be from the same list or may be metallic. Particularly for the couplers, fiber-filled (reinforced) variants are relevant due to the tensile and other forces experienced by the fingers. Exemplary gaskets are natural or artificial rubbers or elastomers.

[0043] One particular example involves PP pipe, PP fittings, RYTON (trademark of Solvay SA, Brussels, Belgium) glass-filled polyphenylene sulfide (PPS) couplers, CELCON M-90 (trademark of Celanese Corporation, Dallas, Texas) acetal copolymer clamps, and thermoplastic elastomer gaskets.

[0044] The pipe, coupler, fitting, clamp, and gasket may be made using otherwise conventional or yet-developed materials and techniques (e.g., extrusion for pipe and injection molding for other components).

[0045] The use of "first", "second", and the like in the description and following claims is for differentiation within the claim only and does not necessarily indicate relative or absolute importance or temporal order. Similarly, the identification in a claim of one element as "first" (or the like) does not preclude such "first" element from identifying an element that is referred to as "second" (or the like) in another claim or in the description.

[0046] Where a measure is given in English units followed by a parenthetical containing SI or other units, the parenthetical's units are a conversion and should not imply a degree of precision not found in the English units.

[0047] One or more embodiments have been described. Nevertheless, it will be understood that various modifications may be made as long as they fall within the scope of the claims. For example, when applied to modifying a configuration of an existing basic piping or fitting system, details of such configuration or its associated use may influence details of particular implementations. Accordingly, other embodiments may be within the scope of the following claims.

REFERENCES CITED IN THE DESCRIPTION

Cited references

This list of references cited by the applicant is for the reader's convenience only. It does not form part of the European patent document. Even though great care has been taken in compiling the references, errors or omissions cannot be excluded and the EPO disclaims all liability in this regard.

Patent documents cited in the description

- GB2260381A [0003]
- US20060016552A1 [0003]
- US3506519A [0004]
- US5911895A [0005]
- US2015008662A1 [0006]
- DE102016109589A1 [0007]
- GB2251046A [0007]

RØRKOBLING OG KOBLINGSFREMANGSMÅDE**PATENTKRAV**

1. Rørkobling (30), der er en enkelt plastform i ét stykke, som omfatter:
 - en akse (500);
 - en grunddel (70), der omgiver akslen, hvor grunddelen (70) er en fuld ring;
 - en periferisk segmenteret krave (72), der strækker sig fra en første aksial ende af grunddelen og har en indvendig diameter-overflade (80) og en udvendig diameter-overflade (82); hvor den indvendige diameter-overflade er dannet med en række indadgående ringformede fremspring (84) og riller (86) og
 - en flerhed af fingre (90), der stikker frem fra en anden aksial ende af grunddelen (70) aksialt modsat den første ende og har indadgående radiale fremspring (96).
2. Rørkoblingen (30) ifølge krav 1, hvor:
 - den indvendige diameter-overflade (80) har overfladeudvidelser (84, 86).
3. Rørkoblingen (30) ifølge krav 2, hvor:
 - overfladeudvidelserne omfatter periferiske kanter (84).
4. Rørkoblingen (30) ifølge krav 1, hvor plasten er glasfyldt plast.
5. Rørkoblingen (30) ifølge krav 4, hvor plasten er polyfenylensulfid.
6. Rørkoblingen ifølge krav 1, hvor:
 - de indadgående radiale fremspring (96) strækker sig radiale indad og aksialt tilbage mod grunddelen (70).
7. Et sæt, der omfatter rørkoblingen (30), ifølge krav 1, og som desuden omfatter:
 - et spændebånd (34), der er dimensioneret til at omgive og komprimere kraven (72); og
 - en ringformet pakning (32).
8. Sættet ifølge krav 7, hvor pakningen (32) omfatter en unikt formet kombination af:
 - en manchette (50); og
 - en fremstående ring (52) ved en ende af manchetten.

9. Fremgangsmåden til brug af rørkoblingen (30) ifølge krav 1, hvor fremgangsmåden omfatter:

montering af rørkoblingen (30) på et rør (120);

spænding af et spændebånd (34) omkring den segmenterede krave (72) for at fastklemme den segmenterede krave (72) på røret (120); og

montering af rørkoblingen (30) og røret (120) som en enhed på rørstykket (20) via aksial flytning:

indsætning af en endedel (122A) på røret i en endedel (22A) af rørstykket; og

fastholdelse af fingerfremspringene (90) bag en tilstødende flade (62) på endedelen (22A) af rørstykket; hvor den aksiale flytning komprimerer en pakning (32) mellem en kant (24A) på rørstykkeendedelen (22A) og grunddelen (70).

10. Fremgangsmåden ifølge krav 9, som desuden omfatter:

frigivelse af en ekstern kraft, der tilvejebringer flytningen, for at efterlade: pakningen (32) komprimeret mellem kanten (24A) på rørstykkeendedelen (22A) og grunddelen (70); og fingrene (90) under aksial spænding.

11. Rørleddet, der omfatter rørkoblingen ifølge krav 1, og som desuden omfatter:

et rør (120);

et spændebånd (34), der holder kravedelen (72) på røret (120); og

et rørstykke (20), der har en endedel (22A), der modtager en endedel (122A) af røret og har et bagudlåst indgreb med fingerfremspringene (96).

12. Rørsamlingen ifølge krav 11, som desuden omfatter:

en pakning (32), der er komprimeret mellem rørstykket (20), rørkoblingen (30) og røret (120).

DRAWINGS

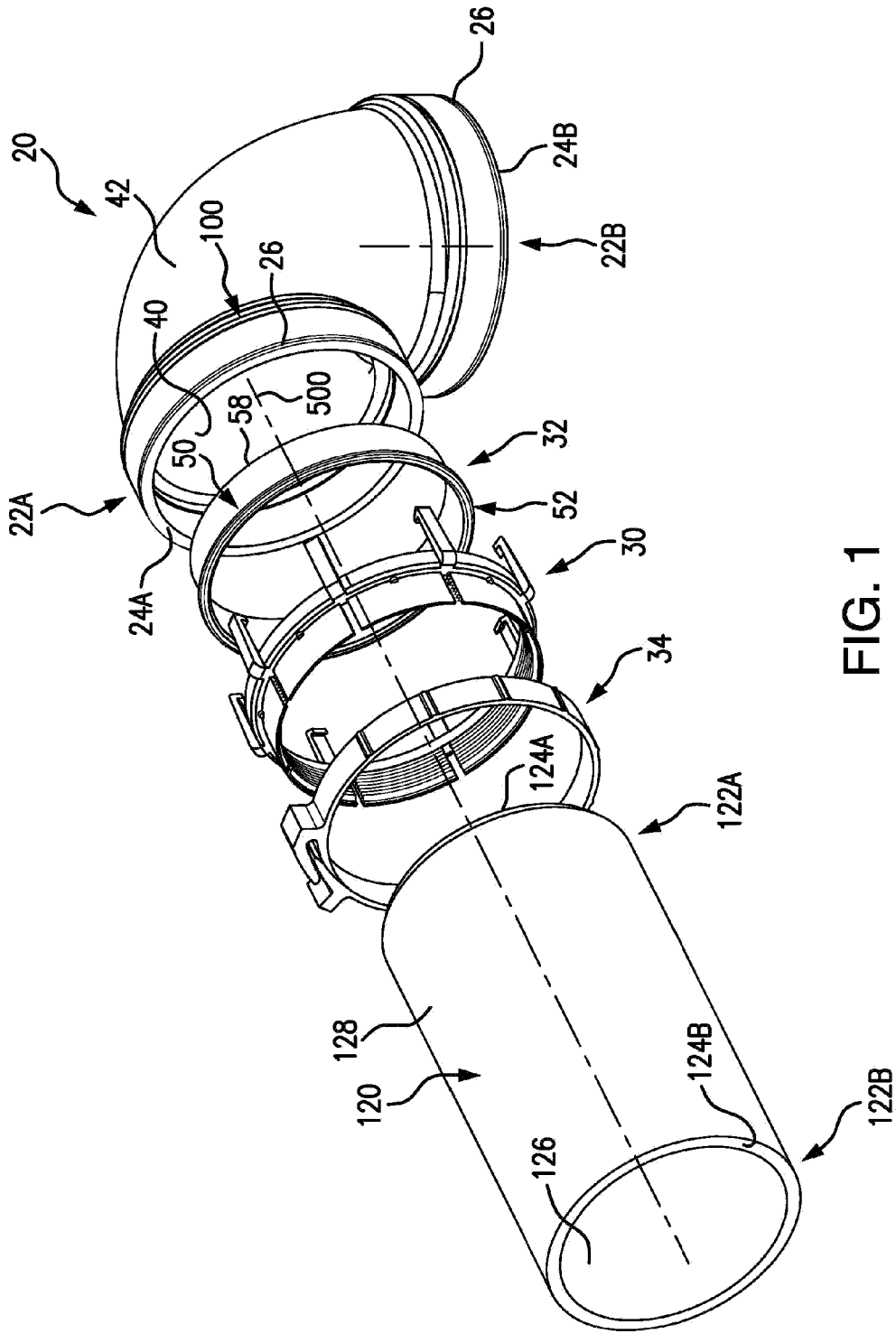


FIG. 1

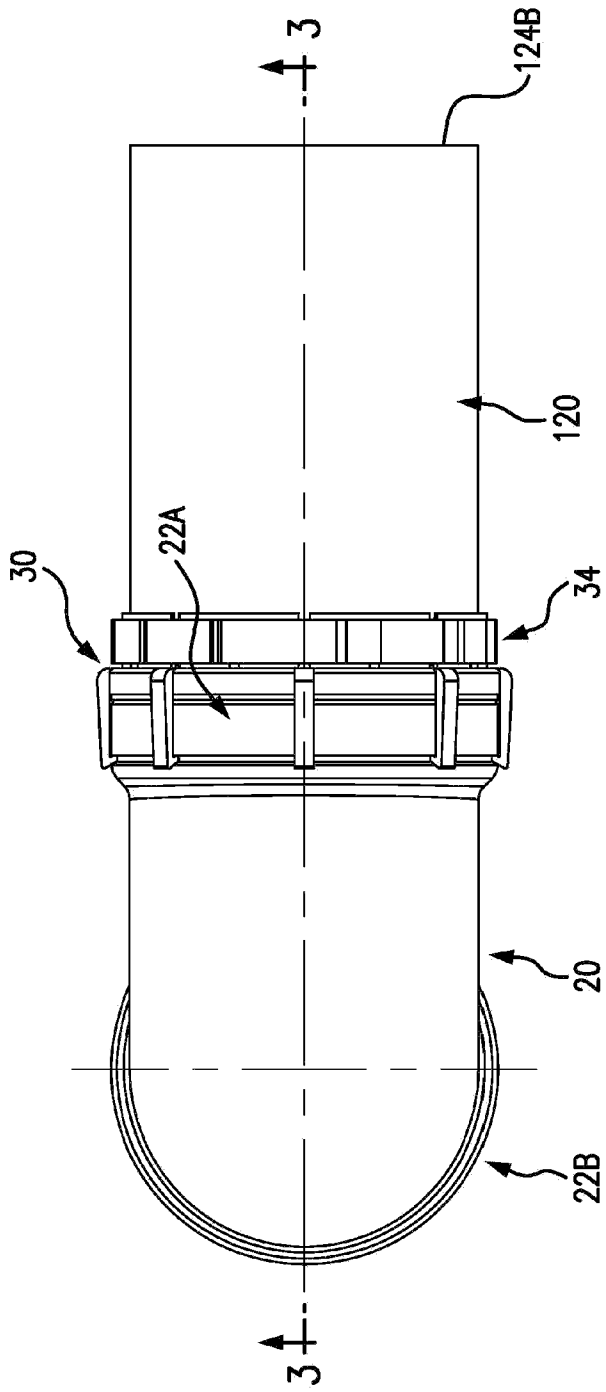


FIG. 2

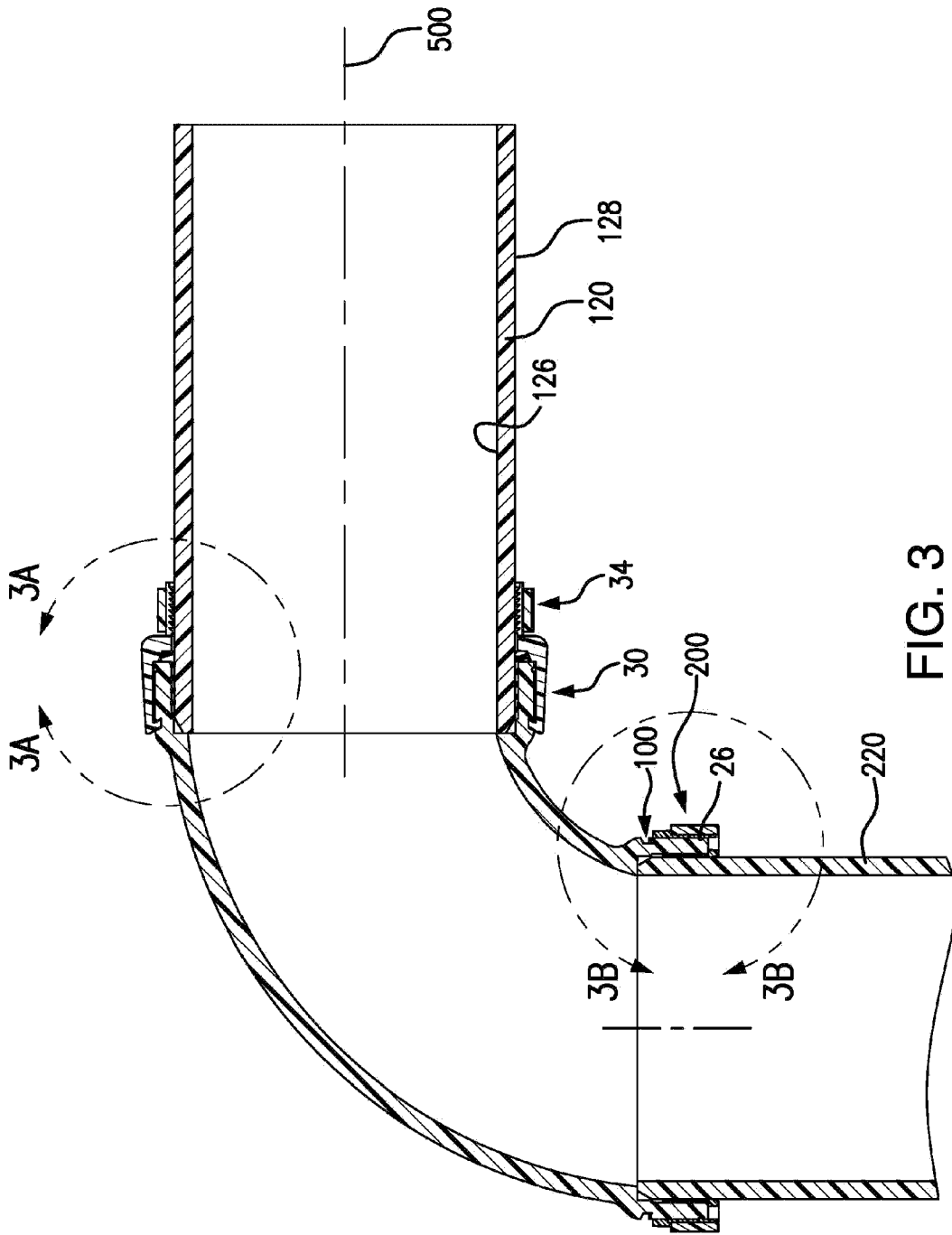


FIG. 3

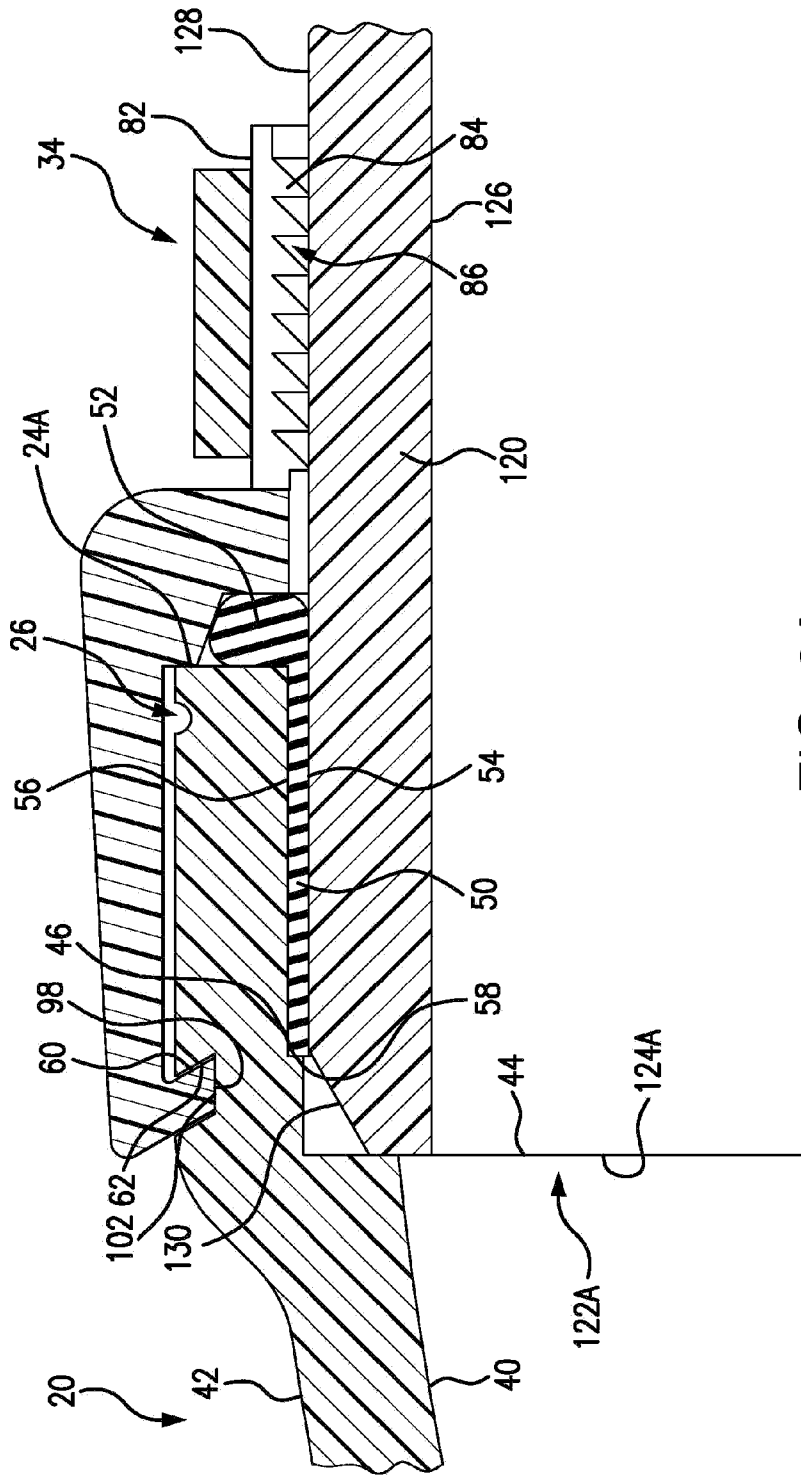
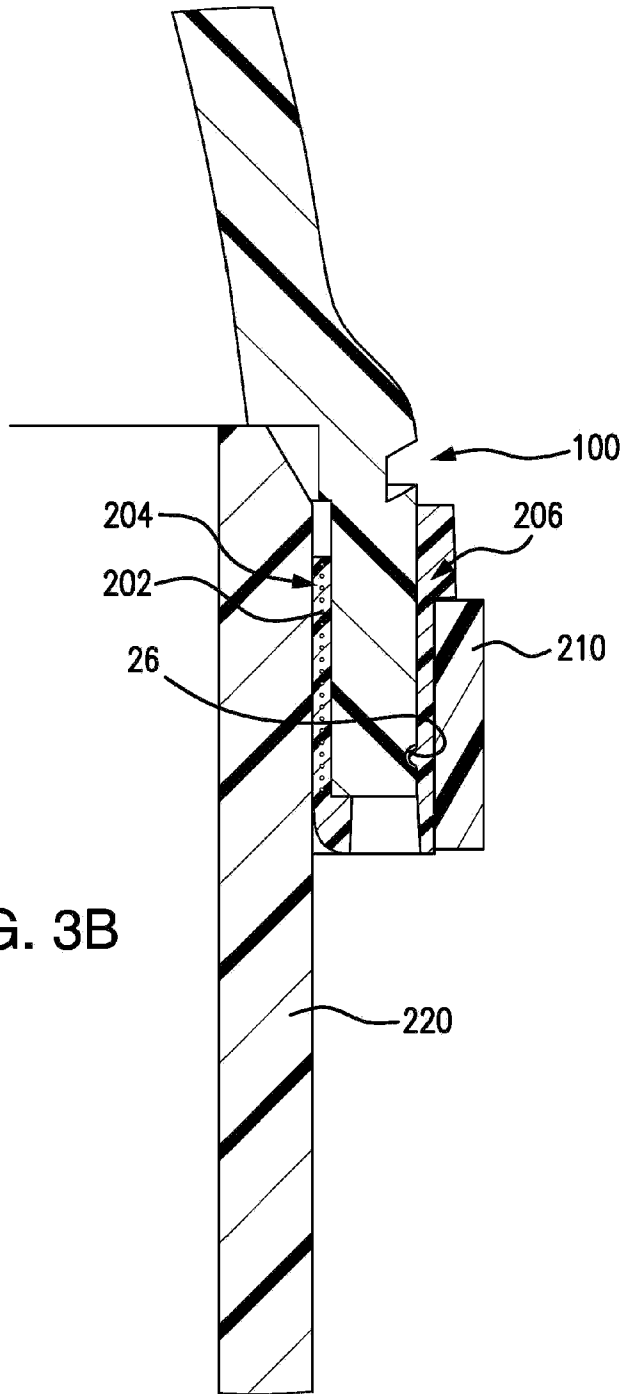


FIG. 3A



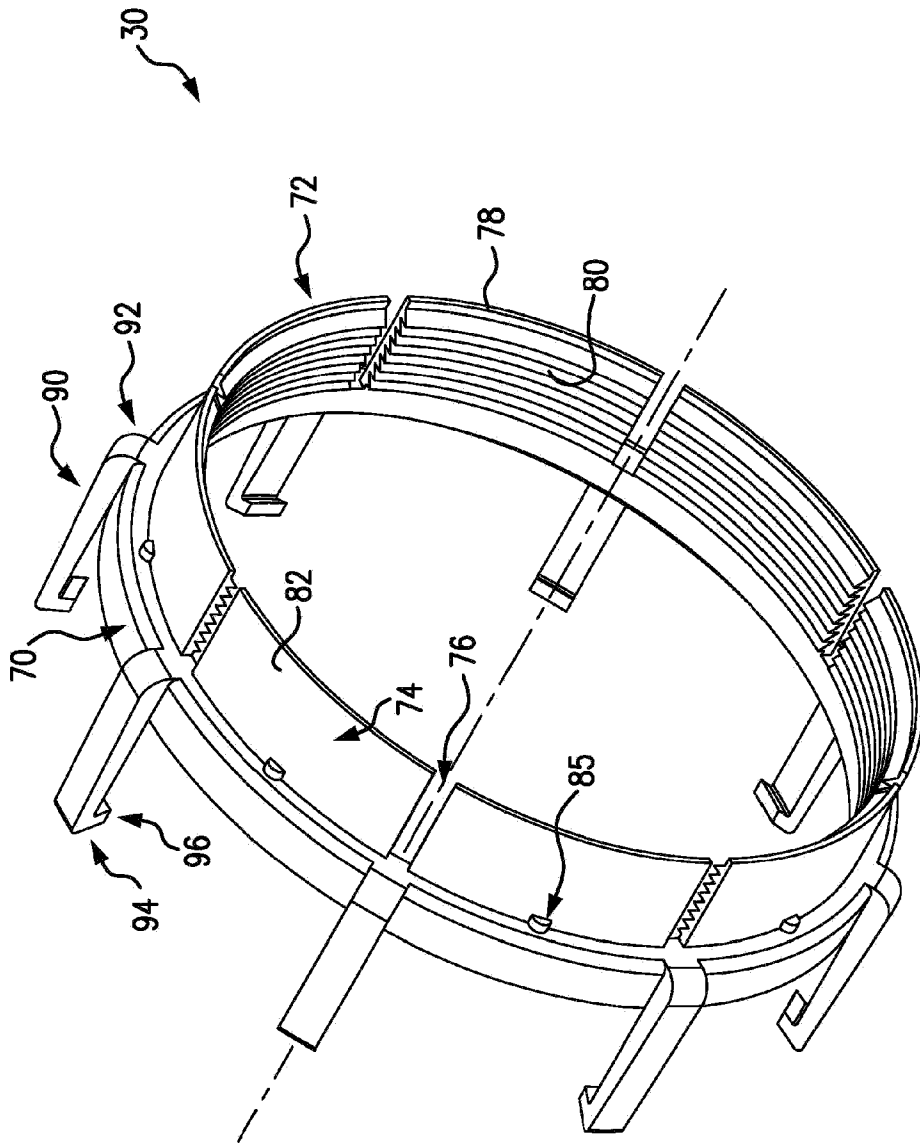


FIG. 4

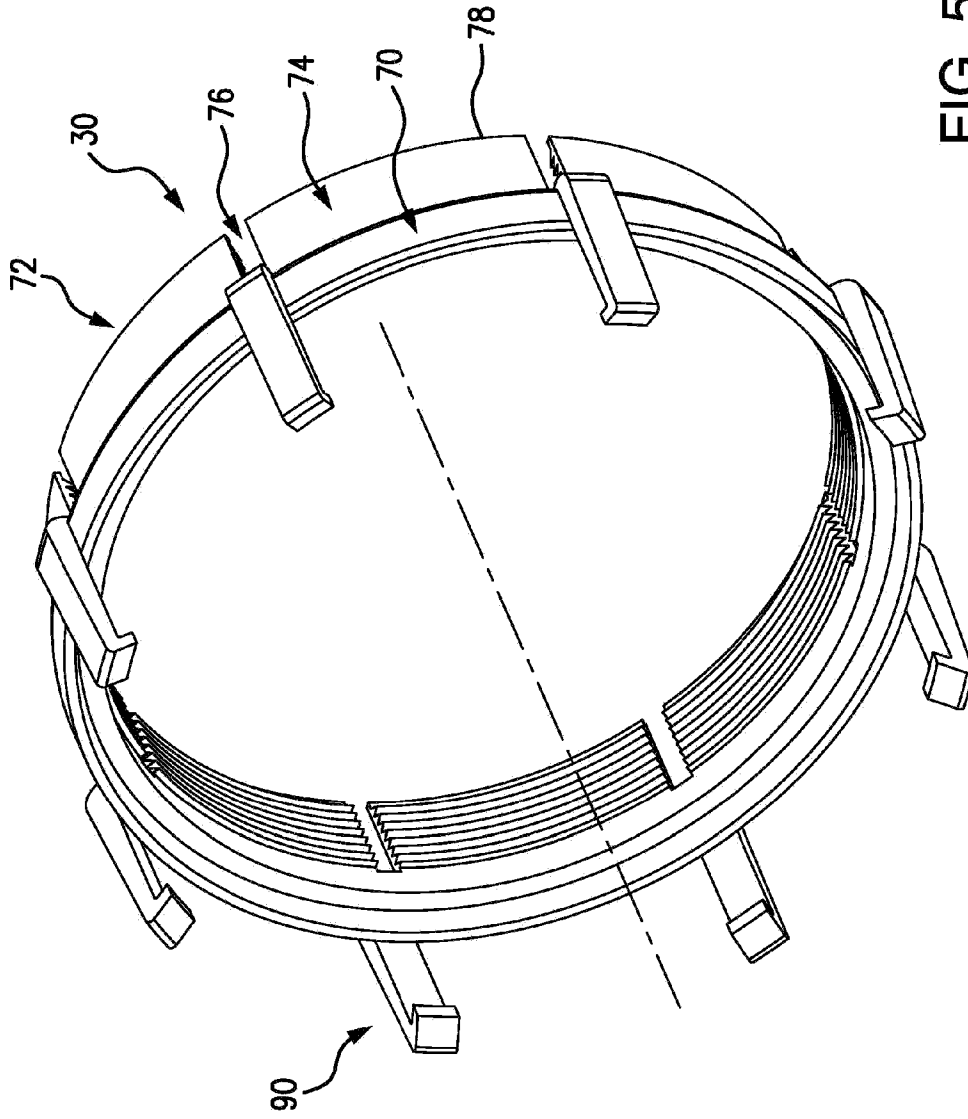


FIG. 5

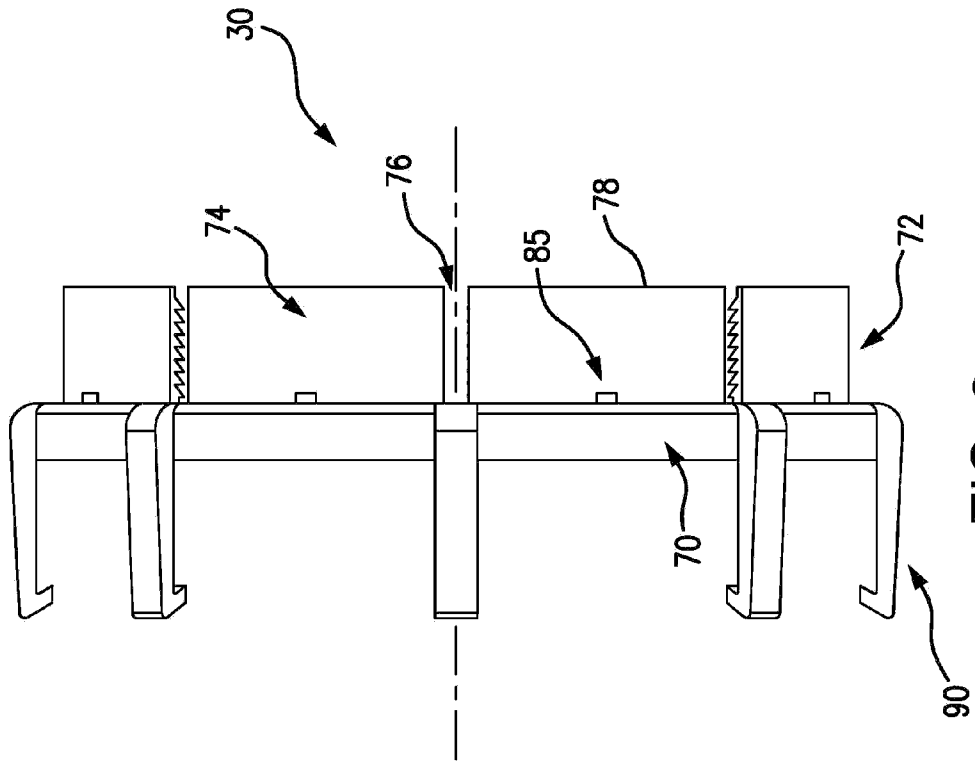


FIG. 6

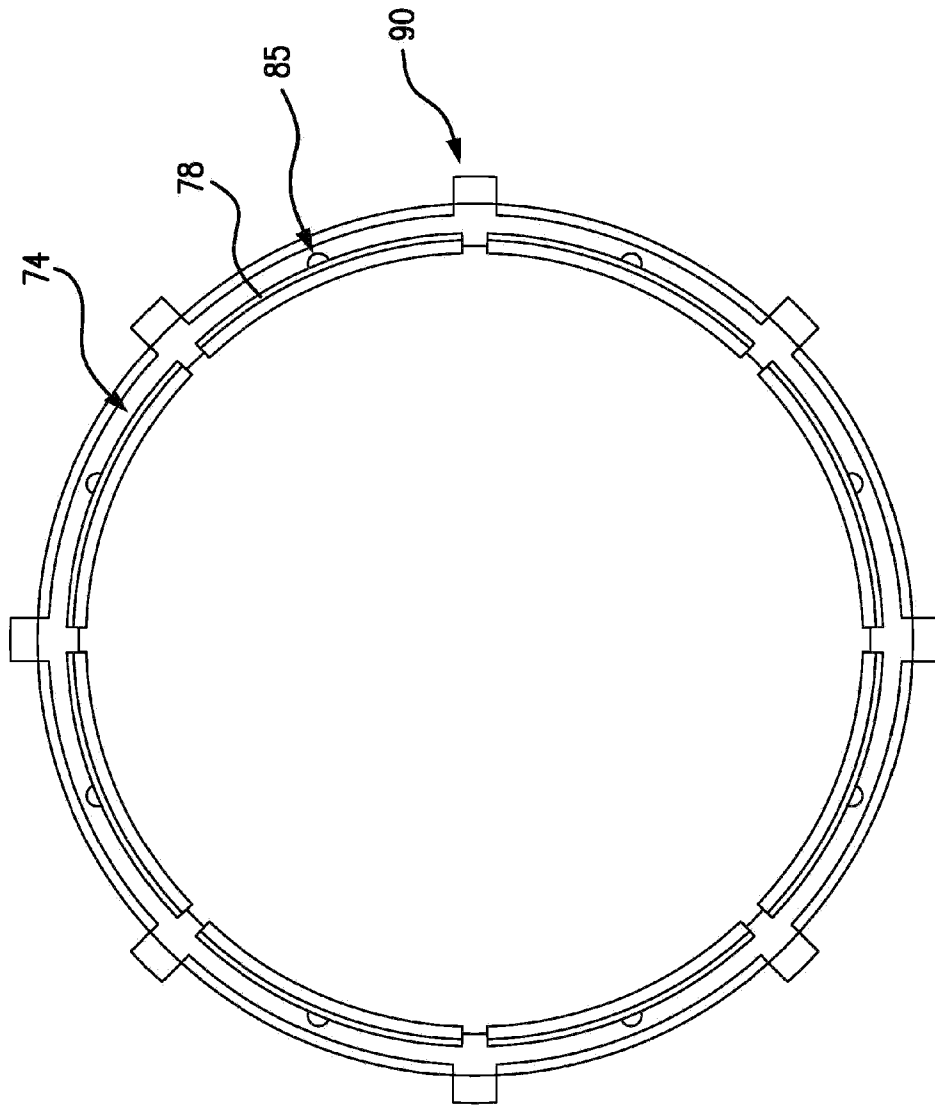


FIG. 7

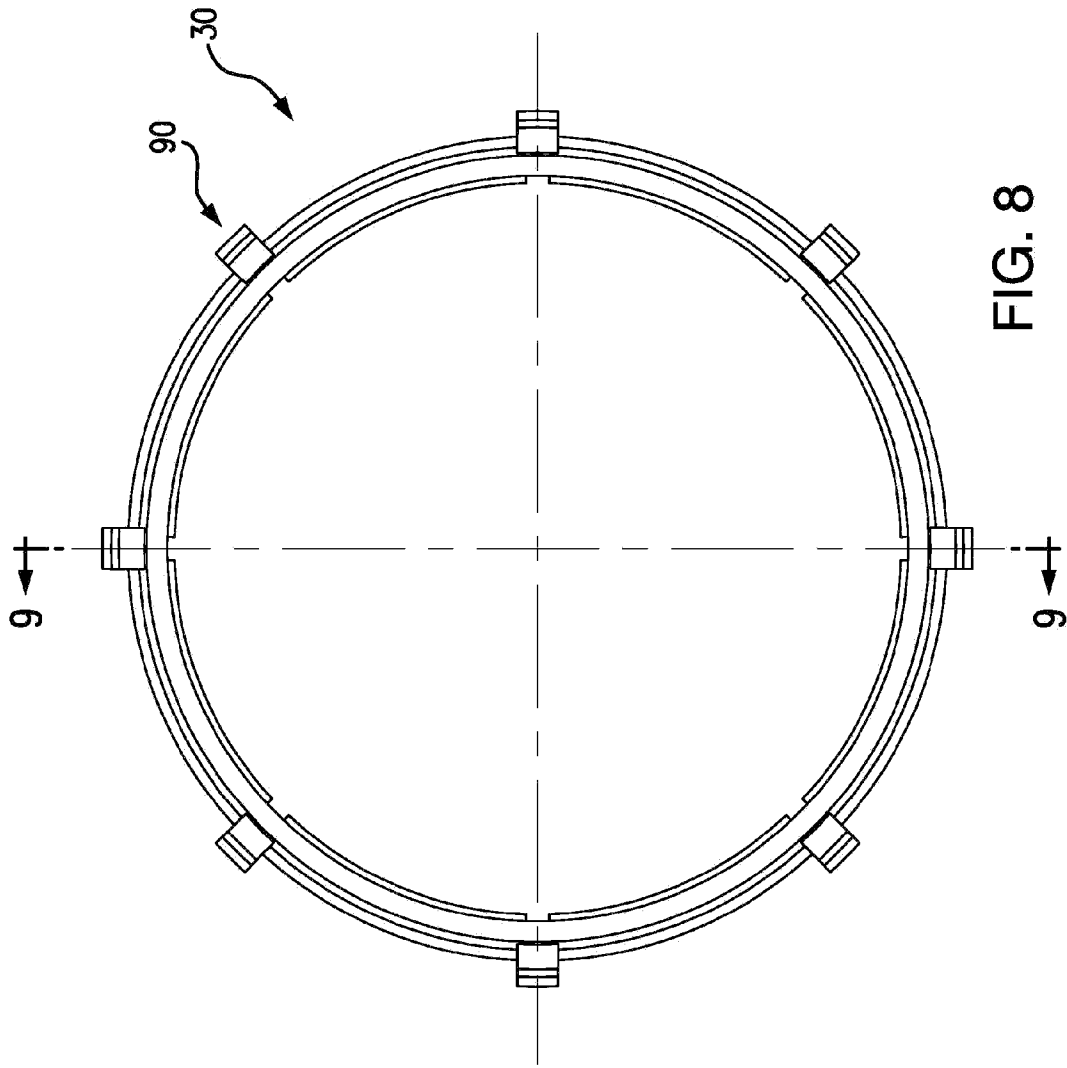


FIG. 8

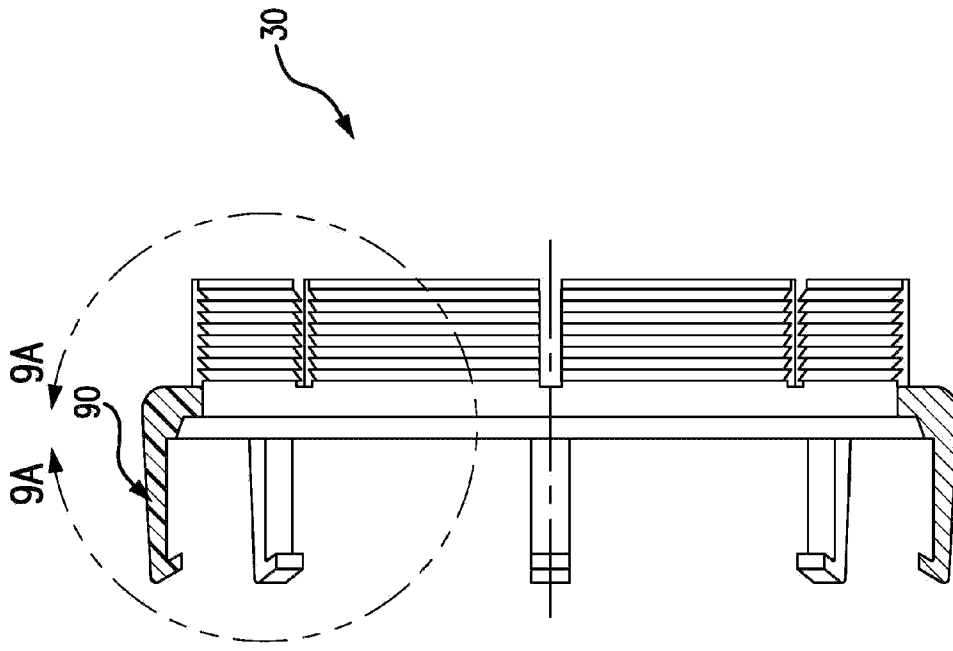


FIG. 9

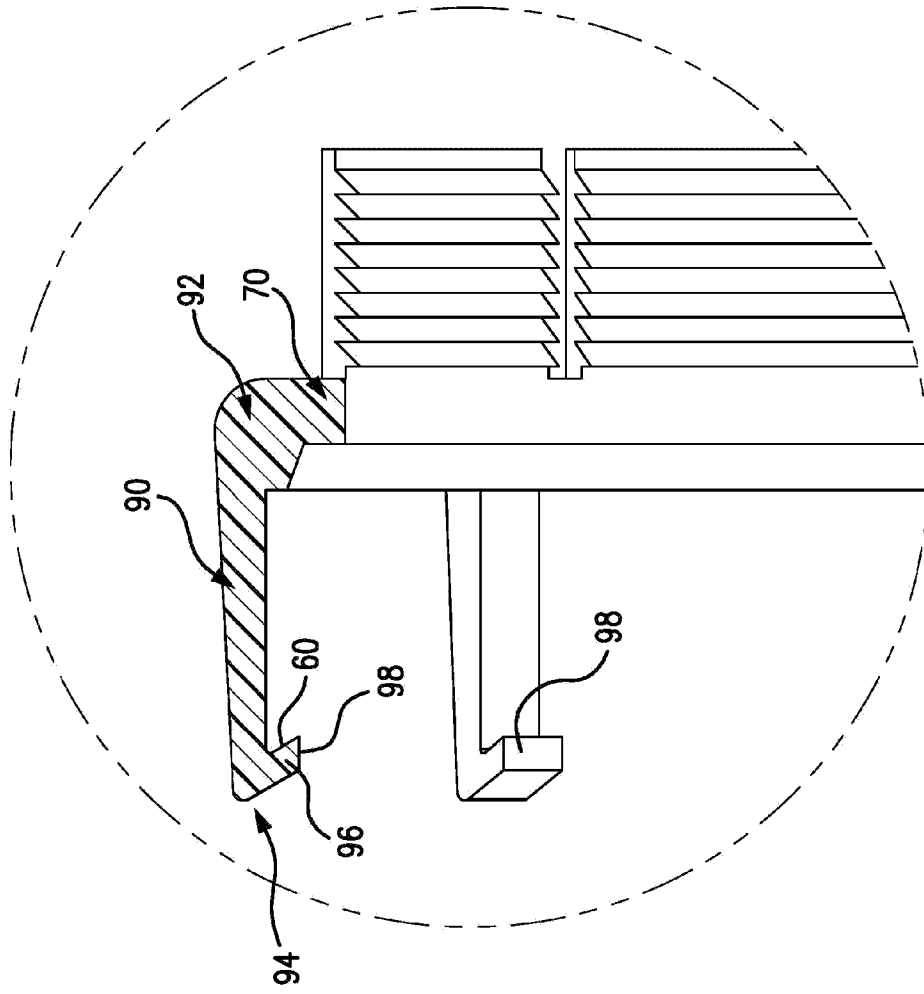


FIG. 9A