

(19) World Intellectual Property Organization  
International Bureau



(43) International Publication Date  
13 December 2007 (13.12.2007)

PCT

(10) International Publication Number  
**WO 2007/141816 A1**

- (51) International Patent Classification:  
**B26B 21/44** (2006.01)
- (21) International Application Number:  
PCT/IT2007/000209
- (22) International Filing Date: 21 March 2007 (21.03.2007)
- (25) Filing Language: English
- (26) Publication Language: English
- (30) Priority Data:  
BS2006A000122 5 June 2006 (05.06.2006) IT
- (71) Applicant and  
(72) Inventor: **PANCERA, Angelo** [IT/IT]; Via Ruggeri, 51,  
I-25025 MANERBIO (Brescia) (IT).
- (74) Agent: **SANGIACOMO, Fulvia**; c/o Biesse S.r.l., Corso  
Matteotti, 42, I-25122 Brescia (IT).
- (81) Designated States (unless otherwise indicated, for every  
kind of national protection available): AE, AG, AL, AM,

AT, AU, AZ, BA, BB, BG, BH, BR, BW, BY, BZ, CA, CH,  
CN, CO, CR, CU, CZ, DE, DK, DM, DZ, EC, EE, EG, ES,  
FI, GB, GD, GE, GH, GM, GT, HN, HR, HU, ID, IL, IN,  
IS, JP, KE, KG, KM, KN, KP, KR, KZ, LA, LC, LK, LR,  
LS, LT, LU, LY, MA, MD, MG, MK, MN, MW, MX, MY,  
MZ, NA, NG, NI, NO, NZ, OM, PG, PH, PL, PT, RO, RS,  
RU, SC, SD, SE, SG, SK, SL, SM, SV, SY, TJ, TM, TN,  
TR, TT, TZ, UA, UG, US, UZ, VC, VN, ZA, ZM, ZW.

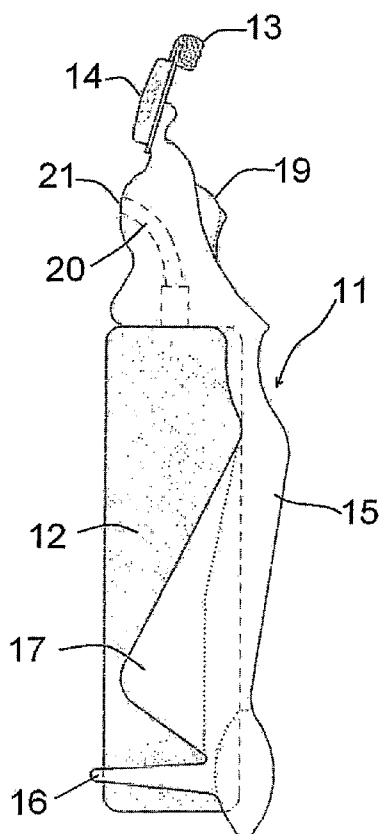
(84) Designated States (unless otherwise indicated, for every  
kind of regional protection available): ARIPO (BW, GH,  
GM, KE, LS, MW, MZ, NA, SD, SL, SZ, TZ, UG, ZM,  
ZW), Eurasian (AM, AZ, BY, KG, KZ, MD, RU, TJ, TM),  
European (AT, BE, BG, CH, CY, CZ, DE, DK, EE, ES, FI,  
FR, GB, GR, HU, IE, IS, IT, LT, LU, LV, MC, MT, NL, PL,  
PT, RO, SE, SI, SK, TR), OAPI (BF, BJ, CF, CG, CI, CM,  
GA, GN, GQ, GW, ML, MR, NE, SN, TD, TG).

Published:  
— with international search report

For two-letter codes and other abbreviations, refer to the "Guidance Notes on Codes and Abbreviations" appearing at the beginning of each regular issue of the PCT Gazette.

(54) Title: MANUAL RAZOR WITH SHAVING FOAM OR CREAM CONTAINER INCORPORATED

(57) Abstract: This invention deals with a instrument for shaving, that comprises a manual razor (11), a container (12) for shaving foam, soap or cream and a shaving brush or small brush (13) for lathering, structurally and operatively integrated, and where the handle of the razor has devices for receiving and holding said container either in a fixed or removable form and the shaving brush is attached to the head of the razor.



WO 2007/141816 A1

“MANUAL RAZOR WITH SHAVING FOAM OR CREAM CONTAINER  
INCORPORATED”

\* \* \* \* \*

Field of the Invention

This invention concerns the instruments for shaving, and in particular manual safety razors, that is using blades.

State of the Art

5 Usually, to shave one's beard manually requires a razor, a container or can of shaving foam or cream and a brush for lathering. They are however separate articles, all to be purchased and individually manipulated for use and the storage after use, the same applying for transport when travelling, requires suitable space for the relative overall sizes.

10 Object and Summary of the Invention

The objective of this invention is on the other hand to realise and supply a multifunction toiletry article for shaving, designed to facilitate both the preparation and the shaving procedure and to simplify storage after use, including when travelling where space is limited.

15 Such an objective is reached, according to the invention, with a razor, a shaving foam, cream or soap container and a shaving brush or small brush combined and put together in one instrument, the foam, cream or soap container being removable; the disposable type or fixed and rechargeable.

This type of realisation gives the additional advantages of an immediate availability and possibility of use of all the articles required to shave, without running the risk of forgetting the shaving brush, foam, soap or cream or not to have a shelf and/or room on which to place separately the  
5 other articles.

#### Brief Description of the Drawings

The object of this invention will however be illustrated in more detail in the following description made in reference to the enclosed indicative and not binding drawings, in which:

10 Figs. 1, 2 and 3 show views, respectively from the front, side and rear, of a razor equipped with a shaving foam or soap container and shaving brush/small brush;

Fig. 4 shows the razor in Fig. 1 in graphic form;

Fig. 5 shows a graphic view from the side; and

15 Fig. 6 shows a graphic view from the end of the handle.

#### Detailed Description of the Invention

Said drawings represent a manual razor 11, a container 12 for shaving foam or cream and a shaving brush or small brush to spread the foam or cream.

20 The razor 11 itself comprises a blade holder head 14 with a plastic handle 15, which can have any shape.

The container 12, which can be in the form of a spray can, is associated with the handle 15 so as to be preferably but not necessarily, attached but removable. For this purpose the handle 15 of the razor 11 can

be equipped at its end, with a ring or cup shaped section 16; in the intermediate part, with two lateral cheeks 17; towards the top of a shoulder 18.

In this way, the container 12 can be positioned and held, at the bottom, laterally and at the top between the ring shaped section, the cheeks or the shoulder, respectively. A button 12 is associated with the container placed on the back of the handle 15 and designed to control the supply of foam or soap through a conduit 20 which starts from the container and arrives at an outlet 21 provided on the front of the handle.

The container can be disposed of and replaced or reloaded once its content is finished.

The shaving brush or small brush 13 is preferably applied to the blade holder head 14, with the relative bristle facing towards the rear, firstly, for its use during lathering without the blades interfering, and then, so as not to hinder the shaving operation.

Worthy of note also, is that the container for the shaving foam, soap or cream can be defined by the handle, that is to say that the shaving foam, soap or cream container can form the handle of the razor without this departing from the objective of the invention.

“MANUAL RAZOR WITH SHAVING FOAM OR CREAM CONTAINER  
INCORPORATED”

\* \* \* \* \*

C L A I M S

5           1. An instrument for shaving characterised by it being made up of a manual razor (11), a container (12) for shaving foam, soap or cream and a shaving brush or small brush (13) for lathering, integrated structurally and operatively.

          2. Instrument according to claim 1, in which the razor has a blade  
10 holder head with a plastic handle, and in which said handle has devices to receive and hold the shaving foam, soap or cream container, either in a fixed or removable form.

          3. Instrument according to claims 1 and 2, in which the shaving brush or small brush (13) is attached to the blade holder head, preferably with the  
15 bristle facing towards the back of the razor.

          4. Instrument according to the previous claims, in which said devices comprise a ring or cup shaped section (16), two lateral cheeks (17) and a shoulder (18u) formed by said handle, the container (12) being positioned and held between said ring or cup shaped section, said lateral cheeks and said  
20 shoulder.

          5. Instrument according to claim 4, in which said container has a shaving foam, soap or cream supply conduit (20) that extends as far as a san

outlet hole (21) in a part of the handle of the razor, the supply being controlled by a button placed on another part of said handle.

6. Instrument according to claim 1, in which the razor has a blade holder head with a plastic handle, in which the shaving brush or small brush is  
5 attached to said head and in which said handle forms a container for shaving foam, soap or cream.

7. Instrument according to claim 1, in which the razor has a blade holder head with a plastic handle, in which the shaving brush or small brush is attached to said head and in which said handle is made up of a shaving foam,  
10 soap or cream container.

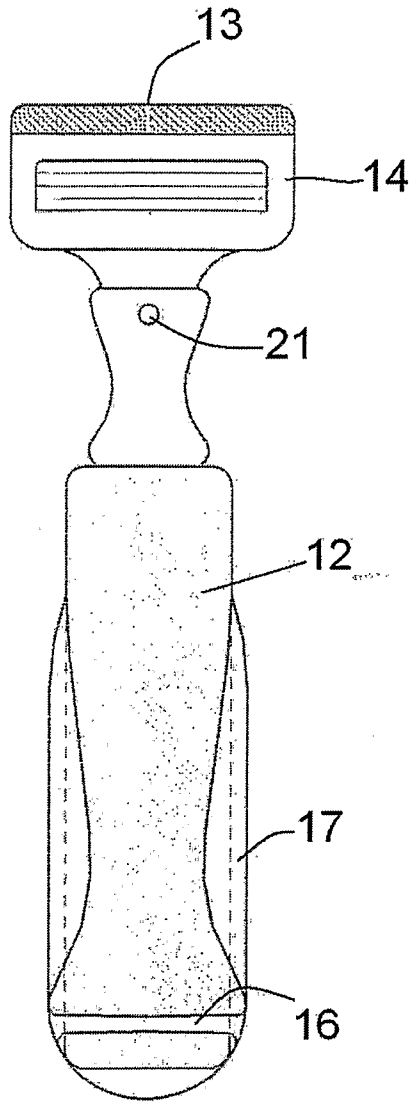


FIG. 4

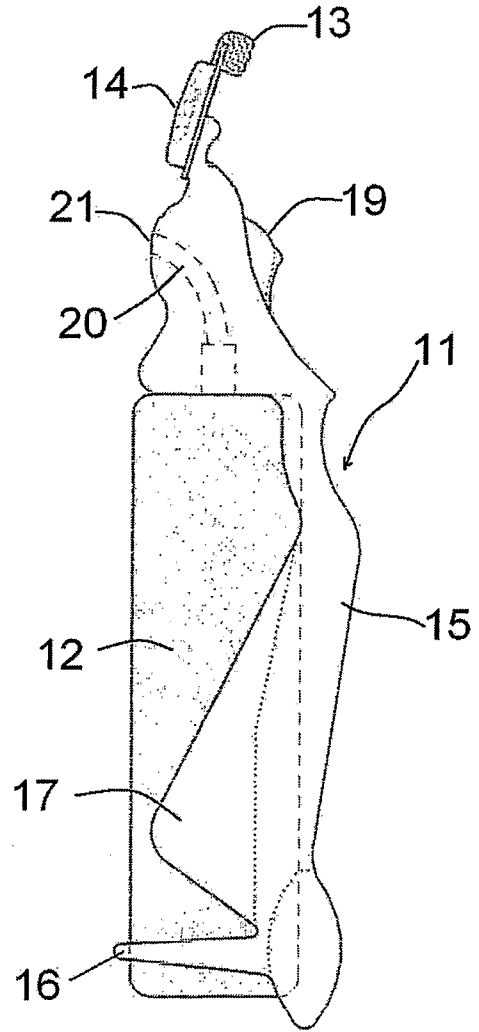


FIG. 5

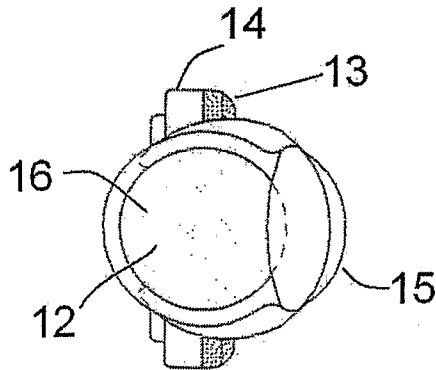
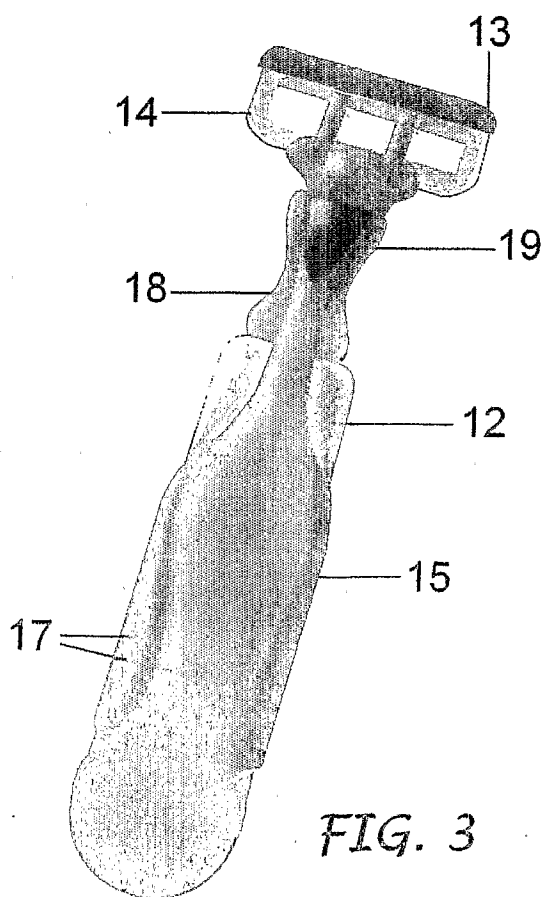
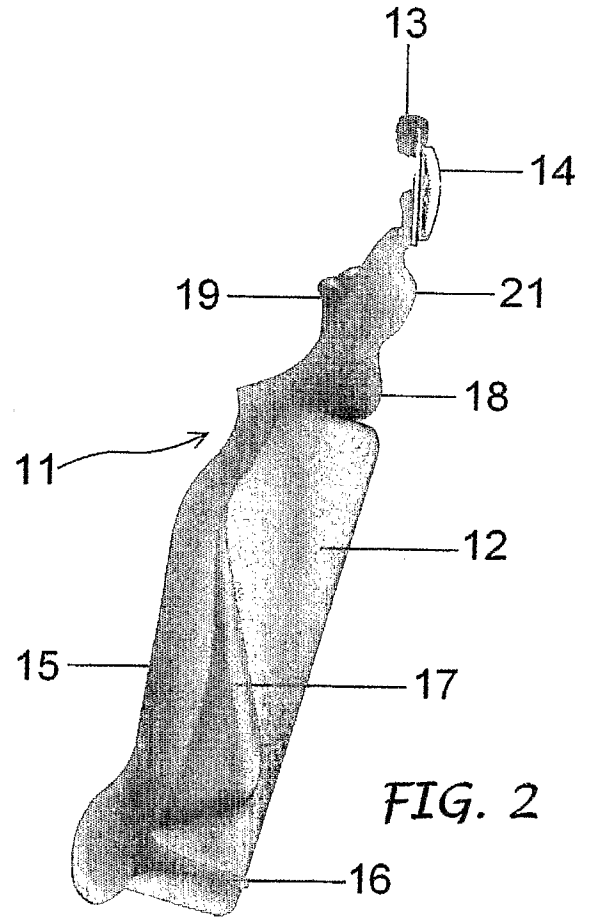
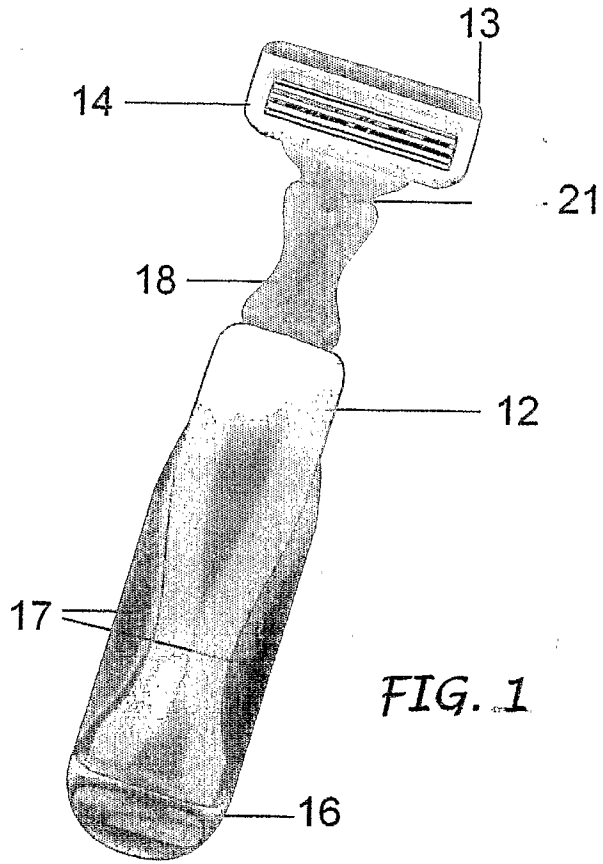


FIG. 6



**INTERNATIONAL SEARCH REPORT**

International application No  
PCT/IT2007/000209

**A. CLASSIFICATION OF SUBJECT MATTER**  
INV. B26B21/44

According to International Patent Classification (IPC) or to both national classification and IPC

**B. FIELDS SEARCHED**

Minimum documentation searched (classification system followed by classification symbols)  
B26B

Documentation searched other than minimum documentation to the extent that such documents are included in the fields searched

Electronic data base consulted during the international search (name of data base and, where practical, search terms used)

EPO-Internal

**C. DOCUMENTS CONSIDERED TO BE RELEVANT**

Category*	Citation of document, with indication, where appropriate, of the relevant passages	Relevant to claim No.
X	US 4 023 269 A (LOPEZ JR LORENZO) 17 May 1977 (1977-05-17)	1,2
Y	column 1, lines 42-63; figure 2 -----	6,7
Y	US 1 892 836 A (HARVEY GEORGE R) 3 January 1933 (1933-01-03)	6,7
X	abstract; figures 1,2 -----	1
X	US 3 417 468 A (HIDEO MIYAUCHI) 24 December 1968 (1968-12-24)	1,3
	column 2, lines 28-48; figure 2 -----	
X	US 5 092 041 A (PODOLSKY GRIGORY [US]) 3 March 1992 (1992-03-03)	1,2,4,5
	column 2, lines 3-49; figures 1,4 -----	
	-/--	

Further documents are listed in the continuation of Box C.

See patent family annex.

\* Special categories of cited documents :

- \*A\* document defining the general state of the art which is not considered to be of particular relevance
- \*E\* earlier document but published on or after the international filing date
- \*L\* document which may throw doubts on priority claim(s) or which is cited to establish the publication date of another citation or other special reason (as specified)
- \*O\* document referring to an oral disclosure, use, exhibition or other means
- \*P\* document published prior to the international filing date but later than the priority date claimed

- \*T\* later document published after the international filing date or priority date and not in conflict with the application but cited to understand the principle or theory underlying the invention
- \*X\* document of particular relevance; the claimed invention cannot be considered novel or cannot be considered to involve an inventive step when the document is taken alone
- \*Y\* document of particular relevance; the claimed invention cannot be considered to involve an inventive step when the document is combined with one or more other such documents, such combination being obvious to a person skilled in the art.
- \*&\* document member of the same patent family

Date of the actual completion of the international search

6 July 2007

Date of mailing of the international search report

18/07/2007

Name and mailing address of the ISA/

European Patent Office, P.B. 5818 Patentlaan 2  
NL - 2280 HV Rijswijk  
Tel. (+31-70) 340-2040, Tx. 31 651 epo nl,  
Fax: (+31-70) 340-3016

Authorized officer

RATTENBERGER, B

## INTERNATIONAL SEARCH REPORT

International application No  
PCT/IT2007/000209

## C(Continuation). DOCUMENTS CONSIDERED TO BE RELEVANT

Category*	Citation of document, with indication, where appropriate, of the relevant passages	Relevant to claim No.
A	US 4 077 119 A (SELLERA JOSE MANUEL) 7 March 1978 (1978-03-07) abstract; figure 2 -----	1
A	US 5 701 674 A (MITCHELL JOHN R [US]) 30 December 1997 (1997-12-30) abstract; figures 1-3 -----	1
A	US 3 969 817 A (DIBUONO FRANK M) 20 July 1976 (1976-07-20) column 2, lines 17-47; figures 1-3 -----	1

# INTERNATIONAL SEARCH REPORT

Information on patent family members

International application No

PCT/IT2007/000209

Patent document cited in search report		Publication date	Patent family member(s)	Publication date
US 4023269	A	17-05-1977	NONE	
US 1892836	A	03-01-1933	NONE	
US 3417468	A	24-12-1968	NONE	
US 5092041	A	03-03-1992	NONE	
US 4077119	A	07-03-1978	NONE	
US 5701674	A	30-12-1997	NONE	
US 3969817	A	20-07-1976	NONE	