

(12) NACH DEM VERTRAG ÜBER DIE INTERNATIONALE ZUSAMMENARBEIT AUF DEM GEBIET DES PATENTWESENS (PCT) VERÖFFENTLICHTE INTERNATIONALE ANMELDUNG

(19) Weltorganisation für geistiges Eigentum  
Internationales Büro



(43) Internationales Veröffentlichungsdatum  
31. Juli 2003 (31.07.2003)

PCT

(10) Internationale Veröffentlichungsnummer  
WO 2003/061918 A3

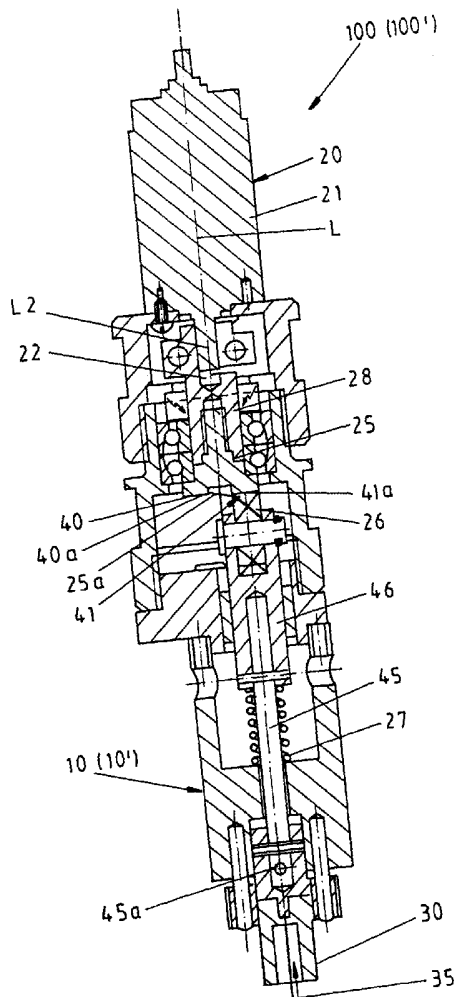
(51) Internationale Patentklassifikation<sup>7</sup>: B26D 3/08, (26) Veröffentlichungssprache: Deutsch  
7/08, 7/34, 3/06, 3/02, 1/10

(21) Internationales Aktenzeichen: PCT/EP2002/014623 (30) Angaben zur Priorität:  
202 01 196.8 25. Januar 2002 (25.01.2002) DE  
202 01 757.5 5. Februar 2002 (05.02.2002) DE  
(22) Internationales Anmeldedatum: 20. Dezember 2002 (20.12.2002) 202 02 524.1 18. Februar 2002 (18.02.2002) DE  
02007481.1 2. April 2002 (02.04.2002) EP  
(25) Einreichungssprache: Deutsch 202 15 642.7 11. Oktober 2002 (11.10.2002) DE

[Fortsetzung auf der nächsten Seite]

(54) Title: CUTTING TOOL

(54) Bezeichnung: SCHNEIDWERKZEUG UMFASSEND EINEN SCHNEIDKOPF MIT EINER ANTRIEBSVORRICHTUNG



(57) Abstract: The invention relates to a cutting tool for materials, in particular PU elastomer, which can be controlled by hand or is programme-controlled. Said tool comprises a cutting head (10) with a drive device (20) and a blade holder (30) comprising a cutting blade (35). Said tool has at least one cutting head and the drive device (20) is configured in a manner known per se, or consists of a drive motor (21) with a drive shaft (22) that extends along the longitudinal axis (L) of the cutting head. The tool also comprises a cam disc (25), which interacts with the drive shaft (22) of the drive motor (21) and is continuously driven around the longitudinal axis (L2) of the drive shaft, said disc comprising control surfaces (40, 41) that are configured on the opposite side (25a) to the drive motor (21) and that lie on various planes, a roller (26) that makes contact with the control surfaces (40, 41) of the cam disc (25) and a lifting rod or plunger rod (45), which is impinged by means of a spring (27), interacts with the roller (26) and the cam disc (25) by means of a coupling part (46) and bears the blade holder (30) for the cutting blade (35) on its free end (45a).

(57) Zusammenfassung: Das Schneidwerkzeug für Materialien, insbesondere aus PU-Elastomeren, das von Hand steuerbar oder programmgesteuert ist, umfassend einen Schneidkopf (10) mit einer Antriebsvorrichtung (20), einem Klingenhalter (30) mit einem Schneidmesser (35), weist mindestens einen Schneidkopf auf, wobei die Antriebsvorrichtung (20) in an sich bekannter Weise ausgebildet ist oder aus einem Antriebsmotor (21) mit einer in Schneidkopflängsachse (L) verlaufenden Antriebswelle (22), einer mit der Antriebswelle (22) des Antriebsmotors (21) in Wirkverbindung stehenden, um die Antriebswellenlängsachse (L2) umlaufend angetriebenen Nockenscheibe (25) mit auf der dem Antriebsmotor (21) abgekehrten Seite (25a) ausgebildeten und in verschiedenen Ebenen liegenden Steuerflächen (40, 41), einem mit einer der Steuerflächen (40, 41) der

[Fortsetzung auf der nächsten Seite]

WO 2003/061918 A3



(71) **Anmelder** (für alle Bestimmungsstaaten mit Ausnahme von US): **HEIDEL GMBH & CO. KG** [DE/DE]; Werkzeuge- u. Maschinenfabrikation, Linder Strasse 34, 41751 Viersen (DE).

(72) **Erfinder; und**

(75) **Erfinder/Anmelder** (nur für US): **HOHNEN, Horst** [DE/DE]; Breslauer Strasse 34, 41366 Schwalmtal (DE). **DIETZ, Holger** [DE/DE]; Preussenring 83, 47798 Krefeld (DE).

(74) **Anwalt: RICHTER, Joachim**; Gerbaulet, Hannes, Neuer Wall 10, 20354 Hamburg (DE).

(81) **Bestimmungsstaaten (national)**: AE, AG, AL, AM, AT, AU, AZ, BA, BB, BG, BR, BY, BZ, CA, CH, CN, CO, CR, CU, CZ, DE, DK, DM, DZ, EC, EE, ES, FI, GB, GD, GE, GH, GM, HR, HU, ID, IL, IN, IS, JP, KE, KG, KP, KR, KZ, LC, LK, LR, LS, LT, LU, LV, MA, MD, MG, MK, MN, MW, MX, MZ, NO, NZ, OM, PH, PL, PT, RO, RU, SD, SE, SG, SK, SL, TJ, TM, TN, TR, TT, TZ, UA, UG, US, UZ, VN, YU, ZA, ZM, ZW.

(84) **Bestimmungsstaaten (regional)**: ARIPO-Patent (GH, GM, KE, LS, MW, MZ, SD, SL, SZ, TZ, UG, ZM, ZW), eurasisches Patent (AM, AZ, BY, KG, KZ, MD, RU, TJ, TM), europäisches Patent (AT, BE, BG, CH, CY, CZ, DE, DK, EE, ES, FI, FR, GB, GR, IE, IT, LU, MC, NL, PT, SE, SI, SK, TR), OAPI-Patent (BF, BJ, CF, CG, CI, CM, GA, GN, GQ, GW, ML, MR, NE, SN, TD, TG).

**Erklärungen gemäß Regel 4.17:**

- *Erfindererklärung (Regel 4.17 Ziffer iv) nur für US*
- *Erfindererklärung (Regel 4.17 Ziffer iv) nur für US*

**Veröffentlicht:**

- *mit internationalem Recherchenbericht*

(88) **Veröffentlichungsdatum des internationalen**

**Recherchenberichts:** 1. April 2004

*Zur Erklärung der Zweibuchstaben-Codes und der anderen Abkürzungen wird auf die Erklärungen ("Guidance Notes on Codes and Abbreviations") am Anfang jeder regulären Ausgabe der PCT-Gazette verwiesen.*

---

Nockenscheibe (25) in Wirkverbindung stehenden Laufrolle (26), einer vermittelt einer Feder (27) beaufschlagten Hubstange bzw. Stößelstange (45), die über ein Kupplungsstück (46) mit der Laufrolle (26) und der Nockenscheibe (25) in Wirkverbindung steht und die an ihrem freien Ende (45a) den Klingenthaler (30) für das Schneidmesser (35) trägt, besteht.

# INTERNATIONAL SEARCH REPORT

International Application No  
PCT/EP 02/14623

<b>A. CLASSIFICATION OF SUBJECT MATTER</b> IPC 7    B26D3/08    B26D7/08    B26D7/34    B26D3/06    B26D3/02 B26D1/10				
According to International Patent Classification (IPC) or to both national classification and IPC				
<b>B. FIELDS SEARCHED</b>				
Minimum documentation searched (classification system followed by classification symbols) IPC 7    B26D				
Documentation searched other than minimum documentation to the extent that such documents are included in the fields searched				
Electronic data base consulted during the international search (name of data base and, where practical, search terms used) EPO-Internal, PAJ				
<b>C. DOCUMENTS CONSIDERED TO BE RELEVANT</b>				
Category °	Citation of document, with indication, where appropriate, of the relevant passages	Relevant to claim No.		
X Y	DE 181 806 C (GOLLEDGE ET AL.) the whole document ---	1 5,6,8,9		
X	US 3 731 648 A (PEARL D ET AL) 8 May 1973 (1973-05-08) column 1, line 15 - line 28 column 3, line 20 - line 22 ---	2-4, 13-23		
X	GB 2 274 801 A (MICROMATION EQUIPMENT LIMITED) 10 August 1994 (1994-08-10) page 6, paragraph 5 -page 7, paragraph 2; figures --- -/--	1,10,11		
<table style="width: 100%; border: none;"> <tr> <td style="width: 50%; border: none;"> <input checked="" type="checkbox"/> Further documents are listed in the continuation of box C.                 </td> <td style="width: 50%; border: none;"> <input checked="" type="checkbox"/> Patent family members are listed in annex.                 </td> </tr> </table>			<input checked="" type="checkbox"/> Further documents are listed in the continuation of box C.	<input checked="" type="checkbox"/> Patent family members are listed in annex.
<input checked="" type="checkbox"/> Further documents are listed in the continuation of box C.	<input checked="" type="checkbox"/> Patent family members are listed in annex.			
° Special categories of cited documents :				
<table style="width: 100%; border: none;"> <tr> <td style="width: 50%; border: none;">                 "A" document defining the general state of the art which is not considered to be of particular relevance                  "E" earlier document but published on or after the international filing date                  "L" document which may throw doubts on priority claim(s) or which is cited to establish the publication date of another citation or other special reason (as specified)                  "O" document referring to an oral disclosure, use, exhibition or other means                  "P" document published prior to the international filing date but later than the priority date claimed             </td> <td style="width: 50%; border: none;">                 "T" later document published after the international filing date or priority date and not in conflict with the application but cited to understand the principle or theory underlying the invention                  "X" document of particular relevance; the claimed invention cannot be considered novel or cannot be considered to involve an inventive step when the document is taken alone                  "Y" document of particular relevance; the claimed invention cannot be considered to involve an inventive step when the document is combined with one or more other such documents, such combination being obvious to a person skilled in the art.                  "&amp;" document member of the same patent family             </td> </tr> </table>			"A" document defining the general state of the art which is not considered to be of particular relevance "E" earlier document but published on or after the international filing date "L" document which may throw doubts on priority claim(s) or which is cited to establish the publication date of another citation or other special reason (as specified) "O" document referring to an oral disclosure, use, exhibition or other means "P" document published prior to the international filing date but later than the priority date claimed	"T" later document published after the international filing date or priority date and not in conflict with the application but cited to understand the principle or theory underlying the invention "X" document of particular relevance; the claimed invention cannot be considered novel or cannot be considered to involve an inventive step when the document is taken alone "Y" document of particular relevance; the claimed invention cannot be considered to involve an inventive step when the document is combined with one or more other such documents, such combination being obvious to a person skilled in the art. "&" document member of the same patent family
"A" document defining the general state of the art which is not considered to be of particular relevance "E" earlier document but published on or after the international filing date "L" document which may throw doubts on priority claim(s) or which is cited to establish the publication date of another citation or other special reason (as specified) "O" document referring to an oral disclosure, use, exhibition or other means "P" document published prior to the international filing date but later than the priority date claimed	"T" later document published after the international filing date or priority date and not in conflict with the application but cited to understand the principle or theory underlying the invention "X" document of particular relevance; the claimed invention cannot be considered novel or cannot be considered to involve an inventive step when the document is taken alone "Y" document of particular relevance; the claimed invention cannot be considered to involve an inventive step when the document is combined with one or more other such documents, such combination being obvious to a person skilled in the art. "&" document member of the same patent family			
Date of the actual completion of the international search  <p style="text-align: center;">16 June 2003</p>	Date of mailing of the international search report  <p style="text-align: center;">27. 06. 2003</p>			
Name and mailing address of the ISA European Patent Office, P.B. 5818 Patentlaan 2 NL - 2280 HV Rijswijk Tel. (+31-70) 340-2040, Tx. 31 651 epo nl, Fax: (+31-70) 340-3016	Authorized officer  <p style="text-align: center;">Vaglianti, G</p>			

## INTERNATIONAL SEARCH REPORT

International Application No  
PCT/EP 02/14623

C.(Continuation) DOCUMENTS CONSIDERED TO BE RELEVANT		
Category °	Citation of document, with indication, where appropriate, of the relevant passages	Relevant to claim No.
X	PATENT ABSTRACTS OF JAPAN vol. 016, no. 274 (M-1267), 19 June 1992 (1992-06-19) & JP 04 069192 A (FURUKAWA ELECTRIC CO LTD:THE), 4 March 1992 (1992-03-04) abstract ---	1
X	DE 503 808 C (JOHANN KADAR) 8 August 1930 (1930-08-08) figures ---	1
X	EP 0 444 418 A (CINCINNATI MILACRON INC) 4 September 1991 (1991-09-04) column 16, line 50 -column 18, line 20; figures 9-12 ---	1
Y	FR 2 720 564 A (WEBER ERNEST) 1 December 1995 (1995-12-01) the whole document ---	5,6,8,9
X	DE 180 371 C (SCHILLING)  the whole document ---	2-4, 13-16, 19-23
X	GB 2 295 788 A (PORTER BRIAN KEVIN) 12 June 1996 (1996-06-12)  the whole document ---	2-4, 13-16, 19-23 5
X	US 2 526 779 A (STEVENSON CHARLES P ET AL) 24 October 1950 (1950-10-24)  column 1, line 30 - line 35 column 5, line 20 - line 28 ---	2-4, 13-16, 19-23
X	US 3 830 122 A (PEARL D) 20 August 1974 (1974-08-20)  column 1, line 24 - line 27 column 3, line 67 -column 4, line 10 ---	2-4, 13-16, 19-23
X	FR 2 625 702 A (LECTRA SYSTEMES SA) 13 July 1989 (1989-07-13)  the whole document ---	2-4, 13-16, 19-23
A	WO 00 00329 A (BRADFORD JOHN ;INTERFACE INC (US); NOLES WILLIAM G (US); SCOTT GRA) 6 January 2000 (2000-01-06) ---	
A	WO 94 12874 A (BP OIL INT ;THEOCHAROUS EVANGELOS (GB)) 9 June 1994 (1994-06-09) ---	
	-/--	

INTERNATIONAL SEARCH REPORT

International Application No  
PCT/EP 02/14623

C.(Continuation) DOCUMENTS CONSIDERED TO BE RELEVANT		
Category °	Citation of document, with indication, where appropriate, of the relevant passages	Relevant to claim No.
A	PATENT ABSTRACTS OF JAPAN vol. 2000, no. 16, 8 May 2001 (2001-05-08) & JP 2001 002973 A (PILOT CORP), 9 January 2001 (2001-01-09) abstract -----	
A	DE 29 07 620 A (FRAUNHOFER GES FORSCHUNG) 28 August 1980 (1980-08-28) -----	

**INTERNATIONAL SEARCH REPORT**

International application No.

PCT/EP 02/14623

**Box I Observations where certain claims were found unsearchable (Continuation of item 1 of first sheet)**

This international search report has not been established in respect of certain claims under Article 17(2)(a) for the following reasons:

1.  Claims Nos.:  
because they relate to subject matter not required to be searched by this Authority, namely:
  
2.  Claims Nos.: —  
because they relate to parts of the international application that do not comply with the prescribed requirements to such an extent that no meaningful international search can be carried out, specifically:  
  

**see FURTHER INFORMATION sheet PCT/ISA/210**
  
3.  Claims Nos.:  
because they are dependent claims and are not drafted in accordance with the second and third sentences of Rule 6.4(a).

**Box II Observations where unity of invention is lacking (Continuation of item 2 of first sheet)**

This International Searching Authority found multiple inventions in this international application, as follows:

**see FURTHER INFORMATION sheet**

1.  As all required additional search fees were timely paid by the applicant, this international search report covers all searchable claims.
  
2.  As all searchable claims could be searched without effort justifying an additional fee, this Authority did not invite payment of any additional fee.
  
3.  As only some of the required additional search fees were timely paid by the applicant, this international search report covers only those claims for which fees were paid, specifically claims Nos.:
  
  
4.  No required additional search fees were timely paid by the applicant. Consequently, this international search report is restricted to the invention first mentioned in the claims; it is covered by claims Nos.:

**Remark on Protest**

- The additional search fees were accompanied by the applicant's protest.  
 No protest accompanied the payment of additional search fees.

**INTERNATIONAL SEARCH REPORT**

International application No.

PCT/EP 02/14623

**BOX II**

The International Searching Authority has determined that this international application contains multiple (groups of) inventions, as follows:

1. Claims: 1a (in part, see "continuation of Box 3"), 10 (only if dependent on claim 1a), 11-22 (claims 13-22 only if dependent on claim 12)

cutting tool with two cutting heads, a drive device comprising a drive motor for a blade holder that can be moved back and forth along the longitudinal axis of the cutting head, the cutting tool comprising two cutting heads arranged at an angle to each other

2. Claims: 1b, 6-9 (since claims 6-9 disclose the features of a lifting rod or push rod, claims 6-9 are regarded as being dependent on claim 1b)

cutting tool with at least one cutting head and a drive device comprising a drive motor with a drive shaft extending along the longitudinal axis of the cutting head, a cam plate, a roller and a spring-loaded lifting rod

3. Claims: 2, 3, 4, 5 (since claim 5 discloses the feature of the introduction of a parting agent by a cutting blade, claim 5 was combined with claims 2, 3, 4), 13-22 (claims 13-22 only if dependent on claim 2, cf. parting agent), 23

devices and methods for introducing an agent by means of a cutting blade

**INTERNATIONAL SEARCH REPORT**

International application No.

PCT/EP 02/14623

**BOX I.2**

Claim 1 appears to be unclear (PCT Article 6) to such an extent (compare line 4: "fixed" with line 8: "in which the drive device" and line 12: "a drive motor") that a meaningful search is impossible. The search was therefore directed to the parts of the claims that can be considered clear, namely a cutting tool driven by a drive (cf. claim 1, lines 4-5).

The applicant is advised that claims or parts of claims relating to inventions in respect of which no international search report has been established cannot normally be the subject of an international preliminary examination (PCT Rule 66.1(e)). In its capacity as International Preliminary Examining Authority the EPO generally will not carry out a preliminary examination for subjects that have not been searched. This also applies to cases where the claims were amended after receipt of the international search report (PCT Article 19) or where the applicant submits new claims in the course of the procedure under PCT Chapter II.

# INTERNATIONAL SEARCH REPORT

Information on patent family members

International Application No

PCT/EP 02/14623

Patent document cited in search report	Classification	Publication date	Patent family member(s)	Publication date
DE 181806	C		NONE	
US 3731648	A	08-05-1973	DE 2144856 A1 FR 2122202 A5 GB 1355410 A JP 50002679 B	27-07-1972 25-08-1972 05-06-1974 28-01-1975
GB 2274801	A	10-08-1994	NONE	
JP 04069192	A	04-03-1992	NONE	
DE 503808	C	08-08-1930	NONE	
EP 0444418	A	04-09-1991	US 5066352 A EP 0444418 A2 JP 5008197 A	19-11-1991 04-09-1991 19-01-1993
FR 2720564	A	01-12-1995	FR 2720564 A1	01-12-1995
DE 180371	C		NONE	
GB 2295788	A	12-06-1996	NONE	
US 2526779	A	24-10-1950	NONE	
US 3830122	A	20-08-1974	DE 2401071 A1 FR 2223136 A1 JP 49122083 A	10-10-1974 25-10-1974 21-11-1974
FR 2625702	A	13-07-1989	FR 2625702 A1	13-07-1989
WO 0000329	A	06-01-2000	AU 4727099 A WO 0000329 A1	17-01-2000 06-01-2000
WO 9412874	A	09-06-1994	AU 5568594 A CN 1092864 A WO 9412874 A1	22-06-1994 28-09-1994 09-06-1994
JP 2001002973	A	09-01-2001	NONE	
DE 2907620	A	28-08-1980	DE 2907620 A1	28-08-1980

INTERNATIONALER RECHERCHENBERICHT

Internationales Aktenzeichen  
PCT/EP 02/14623

<b>A. KLASSIFIZIERUNG DES ANMELDUNGSGEGENSTANDES</b> IPK 7 B26D3/08 B26D7/08 B26D7/34 B26D3/06 B26D3/02 B26D1/10		
Nach der Internationalen Patentklassifikation (IPK) oder nach der nationalen Klassifikation und der IPK		
<b>B. RECHERCHIERTE GEBIETE</b> Recherchierter Mindestprüfstoff (Klassifikationssystem und Klassifikationssymbole) IPK 7 B26D		
Recherchierte aber nicht zum Mindestprüfstoff gehörende Veröffentlichungen, soweit diese unter die recherchierten Gebiete fallen		
Während der internationalen Recherche konsultierte elektronische Datenbank (Name der Datenbank und evtl. verwendete Suchbegriffe) EPO-Internal, PAJ		
<b>C. ALS WESENTLICH ANGESEHENE UNTERLAGEN</b>		
Kategorie°	Bezeichnung der Veröffentlichung, soweit erforderlich unter Angabe der in Betracht kommenden Teile	Betr. Anspruch Nr.
X Y	DE 181 806 C (GOLLEDGE ET AL.) das ganze Dokument ---	1 5,6,8,9
X	US 3 731 648 A (PEARL D ET AL) 8. Mai 1973 (1973-05-08) Spalte 1, Zeile 15 - Zeile 28 Spalte 3, Zeile 20 - Zeile 22 ---	2-4, 13-23
X	GB 2 274 801 A (MICROMATION EQUIPMENT LIMITED) 10. August 1994 (1994-08-10) Seite 6, Absatz 5 -Seite 7, Absatz 2; Abbildungen --- -/--	1,10,11
<input checked="" type="checkbox"/> Weitere Veröffentlichungen sind der Fortsetzung von Feld C zu entnehmen <input checked="" type="checkbox"/> Siehe Anhang Patentfamilie		
° Besondere Kategorien von angegebenen Veröffentlichungen : "A" Veröffentlichung, die den allgemeinen Stand der Technik definiert, aber nicht als besonders bedeutsam anzusehen ist "E" älteres Dokument, das jedoch erst am oder nach dem internationalen Anmeldedatum veröffentlicht worden ist "L" Veröffentlichung, die geeignet ist, einen Prioritätsanspruch zweifelhaft erscheinen zu lassen, oder durch die das Veröffentlichungsdatum einer anderen im Recherchenbericht genannten Veröffentlichung belegt werden soll oder die aus einem anderen besonderen Grund angegeben ist (wie ausgeführt) "O" Veröffentlichung, die sich auf eine mündliche Offenbarung, eine Benutzung, eine Ausstellung oder andere Maßnahmen bezieht "P" Veröffentlichung, die vor dem internationalen Anmeldedatum, aber nach dem beanspruchten Prioritätsdatum veröffentlicht worden ist "T" Spätere Veröffentlichung, die nach dem internationalen Anmeldedatum oder dem Prioritätsdatum veröffentlicht worden ist und mit der Anmeldung nicht kollidiert, sondern nur zum Verständnis des der Erfindung zugrundeliegenden Prinzips oder der ihr zugrundeliegenden Theorie angegeben ist "X" Veröffentlichung von besonderer Bedeutung; die beanspruchte Erfindung kann allein aufgrund dieser Veröffentlichung nicht als neu oder auf erfinderischer Tätigkeit beruhend betrachtet werden "Y" Veröffentlichung von besonderer Bedeutung; die beanspruchte Erfindung kann nicht als auf erfinderischer Tätigkeit beruhend betrachtet werden, wenn die Veröffentlichung mit einer oder mehreren anderen Veröffentlichungen dieser Kategorie in Verbindung gebracht wird und diese Verbindung für einen Fachmann naheliegend ist "&" Veröffentlichung, die Mitglied derselben Patentfamilie ist		
Datum des Abschlusses der internationalen Recherche		Absendedatum des internationalen Recherchenberichts
16. Juni 2003		27. 06. 2003
Name und Postanschrift der Internationalen Recherchenbehörde Europäisches Patentamt, P.B. 5818 Patentlaan 2 NL - 2280 HV Rijswijk Tel. (+31-70) 340-2040, Tx. 31 651 epo nl, Fax: (+31-70) 340-3016		Bevollmächtigter Bediensteter  Vaglianti, G

C.(Fortsetzung) ALS WESENTLICH ANGESEHENE UNTERLAGEN		
Kategorie*	Bezeichnung der Veröffentlichung, soweit erforderlich unter Angabe der in Betracht kommenden Teile	Betr. Anspruch Nr.
X	PATENT ABSTRACTS OF JAPAN vol. 016, no. 274 (M-1267), 19. Juni 1992 (1992-06-19) & JP 04 069192 A (FURUKAWA ELECTRIC CO LTD:THE), 4. März 1992 (1992-03-04) Zusammenfassung ---	1
X	DE 503 808 C (JOHANN KADAR) 8. August 1930 (1930-08-08) Abbildungen ---	1
X	EP 0 444 418 A (CINCINNATI MILACRON INC) 4. September 1991 (1991-09-04) Spalte 16, Zeile 50 -Spalte 18, Zeile 20; Abbildungen 9-12 ---	1
Y	FR 2 720 564 A (WEBER ERNEST) 1. Dezember 1995 (1995-12-01) das ganze Dokument ---	5,6,8,9
X	DE 180 371 C (SCHILLING)  das ganze Dokument ---	2-4, 13-16, 19-23
X	GB 2 295 788 A (PORTER BRIAN KEVIN) 12. Juni 1996 (1996-06-12)  das ganze Dokument ---	2-4, 13-16, 19-23 5
X	US 2 526 779 A (STEVENSON CHARLES P ET AL) 24. Oktober 1950 (1950-10-24)  Spalte 1, Zeile 30 - Zeile 35 Spalte 5, Zeile 20 - Zeile 28 ---	2-4, 13-16, 19-23
X	US 3 830 122 A (PEARL D) 20. August 1974 (1974-08-20)  Spalte 1, Zeile 24 - Zeile 27 Spalte 3, Zeile 67 -Spalte 4, Zeile 10 ---	2-4, 13-16, 19-23
X	FR 2 625 702 A (LECTRA SYSTEMES SA) 13. Juli 1989 (1989-07-13)  das ganze Dokument ---	2-4, 13-16, 19-23
A	WO 00 00329 A (BRADFORD JOHN ;INTERFACE INC (US); NOLES WILLIAM G (US); SCOTT GRA) 6. Januar 2000 (2000-01-06) ---	
A	WO 94 12874 A (BP OIL INT ;THEOCHAROUS EVANGELOS (GB)) 9. Juni 1994 (1994-06-09) ---	
	-/--	

C.(Fortsetzung) ALS WESENTLICH ANGESEHENE UNTERLAGEN		
Kategorie*	Bezeichnung der Veröffentlichung, soweit erforderlich unter Angabe der in Betracht kommenden Teile	Betr. Anspruch Nr.
A	PATENT ABSTRACTS OF JAPAN vol. 2000, no. 16, 8. Mai 2001 (2001-05-08) & JP 2001 002973 A (PILOT CORP), 9. Januar 2001 (2001-01-09) Zusammenfassung ---	
A	DE 29 07 620 A (FRAUNHOFER GES FORSCHUNG) 28. August 1980 (1980-08-28) -----	

# INTERNATIONALER RECHERCHENBERICHT

Internationales Aktenzeichen  
PCT/EP 02/14623

Feld I Bemerkungen zu den Ansprüchen, die sich als nicht recherchierbar erwiesen haben (Fortsetzung von Punkt 2 auf Blatt 1)

Gemäß Artikel 17(2)a) wurde aus folgenden Gründen für bestimmte Ansprüche kein Recherchenbericht erstellt:

1.  Ansprüche Nr. \_\_\_\_\_  
weil sie sich auf Gegenstände beziehen, zu deren Recherche die Behörde nicht verpflichtet ist, nämlich
  
2.  Ansprüche Nr. \_\_\_\_\_  
weil sie sich auf Teile der internationalen Anmeldung beziehen, die den vorgeschriebenen Anforderungen so wenig entsprechen, daß eine sinnvolle internationale Recherche nicht durchgeführt werden kann, nämlich  
siehe Zusatzblatt WEITERE ANGABEN PCT/ISA/210
  
3.  Ansprüche Nr. \_\_\_\_\_  
weil es sich dabei um abhängige Ansprüche handelt, die nicht entsprechend Satz 2 und 3 der Regel 6.4 a) abgefaßt sind.

Feld II Bemerkungen bei mangelnder Einheitlichkeit der Erfindung (Fortsetzung von Punkt 3 auf Blatt 1)

Die internationale Recherchenbehörde hat festgestellt, daß diese internationale Anmeldung mehrere Erfindungen enthält:

siehe Zusatzblatt

1.  Da der Anmelder alle erforderlichen zusätzlichen Recherchegebühren rechtzeitig entrichtet hat, erstreckt sich dieser internationale Recherchenbericht auf alle recherchierbaren Ansprüche.
  
2.  Da für alle recherchierbaren Ansprüche die Recherche ohne einen Arbeitsaufwand durchgeführt werden konnte, der eine zusätzliche Recherchegebühr gerechtfertigt hätte, hat die Behörde nicht zur Zahlung einer solchen Gebühr aufgefordert.
  
3.  Da der Anmelder nur einige der erforderlichen zusätzlichen Recherchegebühren rechtzeitig entrichtet hat, erstreckt sich dieser internationale Recherchenbericht nur auf die Ansprüche, für die Gebühren entrichtet worden sind, nämlich auf die Ansprüche Nr. \_\_\_\_\_
  
4.  Der Anmelder hat die erforderlichen zusätzlichen Recherchegebühren nicht rechtzeitig entrichtet. Der internationale Recherchenbericht beschränkt sich daher auf die in den Ansprüchen zuerst erwähnte Erfindung; diese ist in folgenden Ansprüchen erfaßt:  
\_\_\_\_\_

Bemerkungen hinsichtlich eines Widerspruchs

Die zusätzlichen Gebühren wurden vom Anmelder unter Widerspruch gezahlt.

Die Zahlung zusätzlicher Recherchegebühren erfolgte ohne Widerspruch.

WEITERE ANGABEN

PCT/ISA/ 210

Die internationale Recherchenbehörde hat festgestellt, daß diese internationale Anmeldung mehrere (Gruppen von) Erfindungen enthält, nämlich:

1. Ansprüche: 1a (Teil, vgl. dazu die "Fortsetzung von Feld 3."),  
10 (Anspruch 10 nur wenn abhängig von Anspruch 1a),  
11-22 (Ansprüche 13-22 nur wenn abhängig von Anspruch 12)

Schneidwerkzeug mit zwei Schneidköpfen, wobei eine Antriebsvorrichtung einen Antriebsmotor für einen in Schneidkopflängsachse hin- und herbewegbarer Klingenhalter aufweist, und wobei das Schneidwerkzeug zwei Schneidköpfe in einer Winkelstellung zueinander aufweist

2. Ansprüche: 1b,  
6-9 (da Ansprüche 6-9 Merkmale einer Hub- bzw. Stößelstange und einer Nockenscheibe offenbaren, wurden Ansprüche 6-9 als abhängig von Anspruch 1b betrachtet)

Schneidwerkzeug mit mindestens einen Schneidkopf, wobei eine Antriebsvorrichtung aus einem Antriebsmotor mit einer in Schneidkopflängsachse verlaufenden Antriebswelle, einer Nockenscheibe, einer Laufrolle, und einer mittels einer Feder beaufschlagten Hubstange besteht

3. Ansprüche: 2, 3, 4,  
5 (da Anspruch 5 das Merkmal der Einführung eines Trennmittels durch ein Schneidmesser offenbart, wurde der Anspruch 5 mit den Ansprüchen 2, 3, 4 zusammengefasst),  
13-22 (Ansprüche 13-22 nur wenn abhängig von Anspruch 2, vgl. Trennmittel), 23

Vorrichtungen sowie Verfahren zum Einführen eines Mittels durch ein Schneidmesser

WEITERE ANGABEN

PCT/ISA/ 210

Fortsetzung von Feld I.2

Der Patentanspruch 1 erscheint im Sinne von Art. 6 PCT in einem solchen Maße unklar (vgl. die Zeile 4: "feststehend" mit der Zeile 8: "wobei die Antriebsvorrichtung" und der Zeile 12: "einem Antriebsmotor") daß er eine sinnvolle Recherche nicht ermöglicht. Daher wurde die Recherche auf die Teile der Patentansprüche gerichtet, die als klar gelten können, nämlich ein Schneidwerkzeug das über einen Antrieb angetrieben ist (vgl. Anspruch 1, Zeilen 4-5).

Der Anmelder wird darauf hingewiesen, daß Patentansprüche, oder Teile von Patentansprüchen, auf Erfindungen, für die kein internationaler Recherchenbericht erstellt wurde, normalerweise nicht Gegenstand einer internationalen vorläufigen Prüfung sein können (Regel 66.1(e) PCT). In seiner Eigenschaft als mit der internationalen vorläufigen Prüfung beauftragte Behörde wird das EPA also in der Regel keine vorläufige Prüfung für Gegenstände durchführen, zu denen keine Recherche vorliegt. Dies gilt auch für den Fall, daß die Patentansprüche nach Erhalt des internationalen Recherchenberichtes geändert wurden (Art. 19 PCT), oder für den Fall, daß der Anmelder im Zuge des Verfahrens gemäß Kapitel II PCT neue Patentansprüche vorlegt.

## INTERNATIONALER RECHERCHENBERICHT

Angaben zu Veröffentlichungen, die zur selben Patentfamilie gehören

Internationales Aktenzeichen

PCT/EP 02/14623

Im Recherchenbericht angeführtes Patentdokument	Datum der Veröffentlichung	Mitglied(er) der Patentfamilie	Datum der Veröffentlichung
DE 181806	C	KEINE	
US 3731648	A	08-05-1973	DE 2144856 A1 27-07-1972 FR 2122202 A5 25-08-1972 GB 1355410 A 05-06-1974 JP 50002679 B 28-01-1975
GB 2274801	A	10-08-1994	KEINE
JP 04069192	A	04-03-1992	KEINE
DE 503808	C	08-08-1930	KEINE
EP 0444418	A	04-09-1991	US 5066352 A 19-11-1991 EP 0444418 A2 04-09-1991 JP 5008197 A 19-01-1993
FR 2720564	A	01-12-1995	FR 2720564 A1 01-12-1995
DE 180371	C		KEINE
GB 2295788	A	12-06-1996	KEINE
US 2526779	A	24-10-1950	KEINE
US 3830122	A	20-08-1974	DE 2401071 A1 10-10-1974 FR 2223136 A1 25-10-1974 JP 49122083 A 21-11-1974
FR 2625702	A	13-07-1989	FR 2625702 A1 13-07-1989
WO 0000329	A	06-01-2000	AU 4727099 A 17-01-2000 WO 0000329 A1 06-01-2000
WO 9412874	A	09-06-1994	AU 5568594 A 22-06-1994 CN 1092864 A 28-09-1994 WO 9412874 A1 09-06-1994
JP 2001002973	A	09-01-2001	KEINE
DE 2907620	A	28-08-1980	DE 2907620 A1 28-08-1980